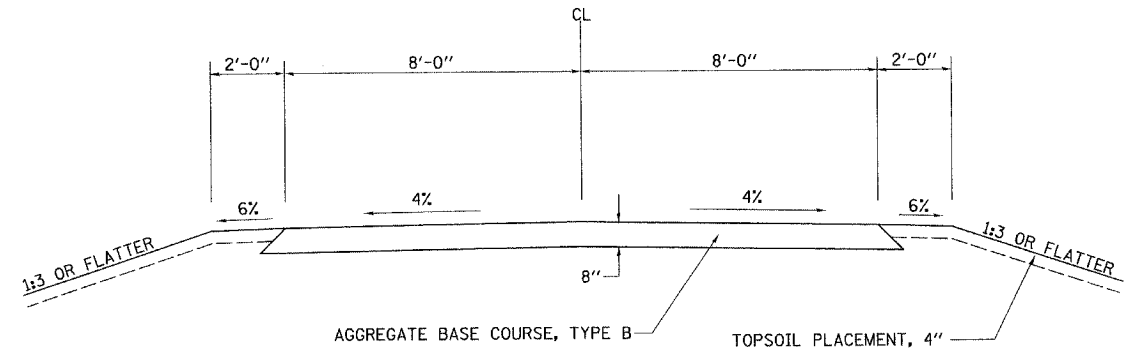
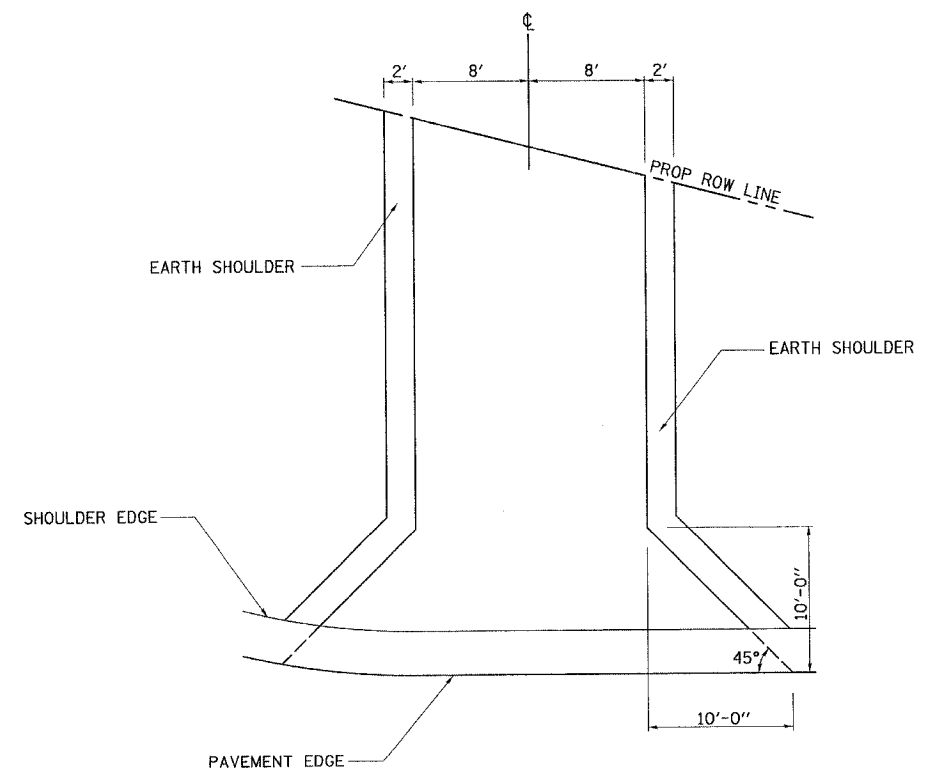


F.A.P. RTE.	SECTION	COUNTY	TOTAL SHEETS	SHEET NO.
17	16-T	CARROLL	47	7
FED. ROAD DIST. NO.	ILLINOIS	FED. AID PROJECT		

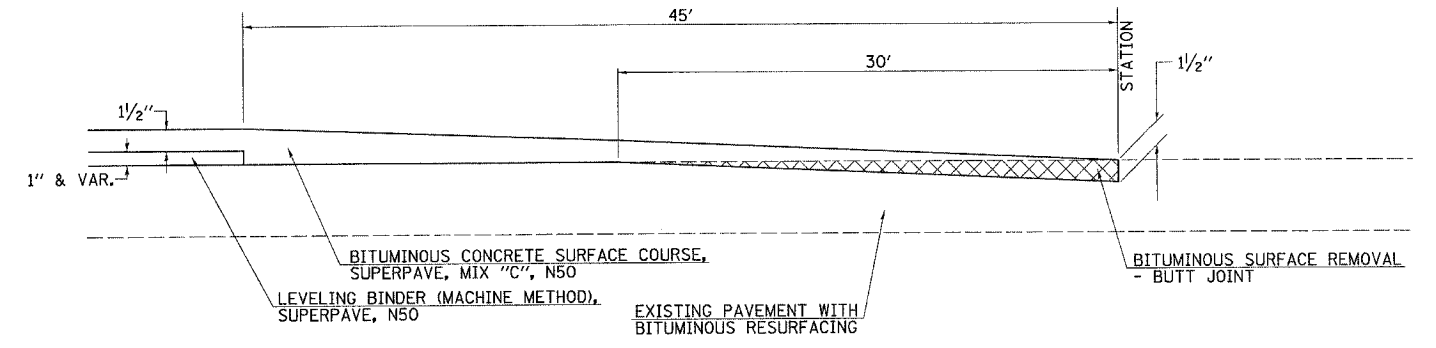
**CONTRACT NO. 64897**



TYPICAL SECTION  
FIELD ENTRANCE  
AT STA 102+51.7



PLAN VIEW  
FIELD ENTRANCE  
AT STA 102+51.7



**BITUMINOUS CONCRETE BUTT JOINT**

STATION  
1432+00.60  
1444+29.27

REVISIONS	
NAME	DATE

ILLINOIS DEPARTMENT OF TRANSPORTATION

**FIELD ENTRANCE  
& BUTT JOINT DETAILS**

DATE 8/10/2006

DRAWN BY TJD  
CHECKED BY AWM