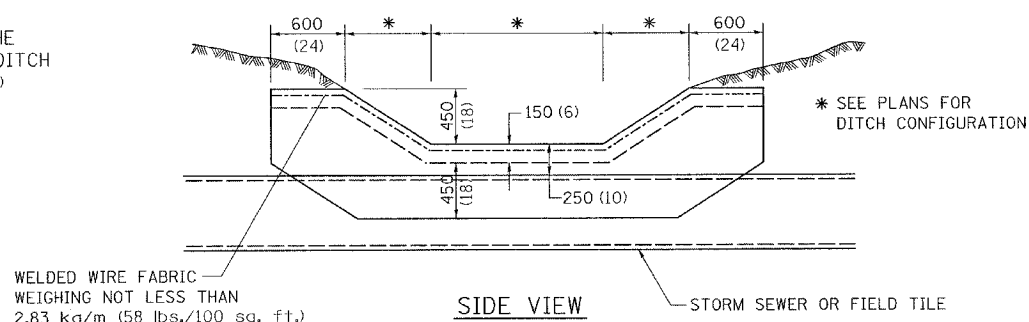


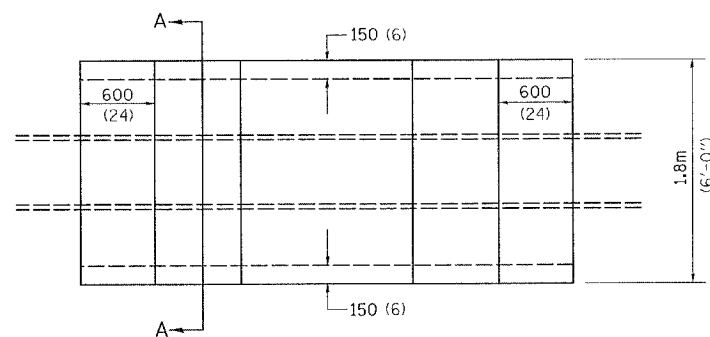
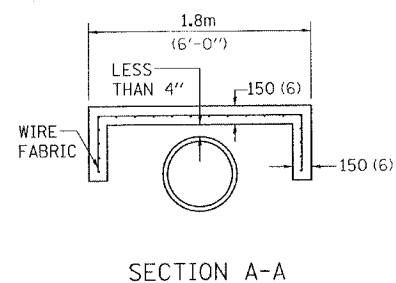
F.A.P. RTE.	SECTION	COUNTY	TOTAL SHEETS	SHEET NO.
17	16-T	CARROLL	47	30
STA. TO STA.		FED. ROAD DIST. NO. ILLINOIS FED. AID PROJECT		

TREATMENT OF FIELD TILE SYSTEMS UNDER DITCHES

PAVED DITCH
TO BE USED IF COVER OVER THE PIPE AT THE BOTTOM OF THE DITCH IS LESS THAN 250mm (10 Inches)

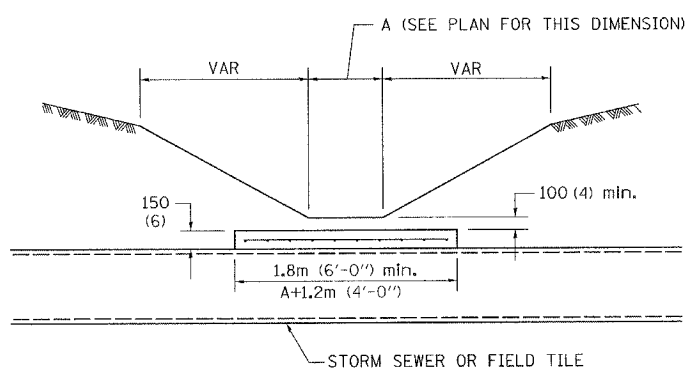
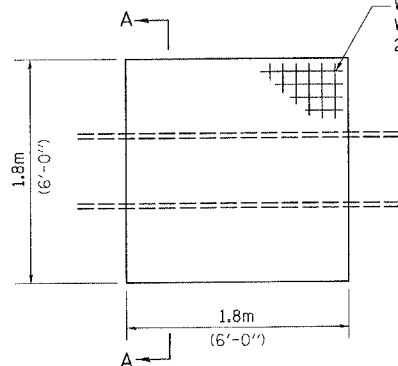


WELDED WIRE FABRIC WEIGHING NOT LESS THAN 2.83 kg/m (58 lbs./100 sq. ft.)



CONCRETE SLAB
TO BE USED IF COVER OVER THE PIPE AT THE BOTTOM OF THE DITCH IS 250mm (10 Inches) TO 600mm (24 Inches)

WELDED WIRE FABRIC WEIGHING NOT LESS THAN 2.83 kg/m (58 lbs./100 sq. ft.)

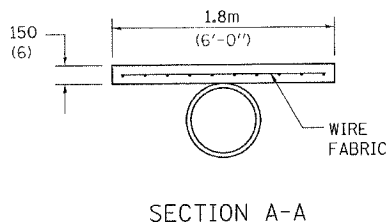


NOTES

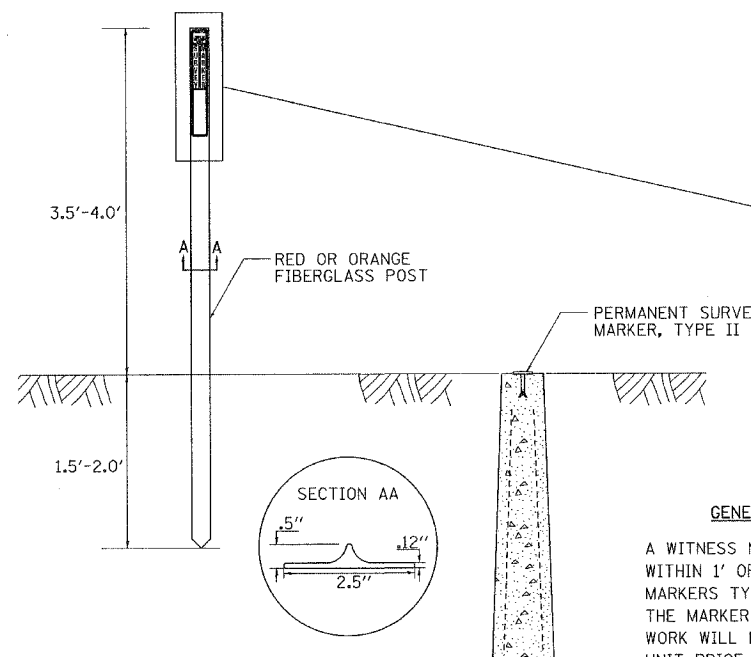
THIS WORK SHALL BE DONE IN ACCORDANCE WITH ARTICLE 611.04 OF THE STANDARD SPECIFICATION.

THE CONCRETE SLAB AND PAVED DITCH WILL BE PAID FOR AT THE CONCRETE UNIT PRICE PER CUBIC METER (CUBIC YARD) FOR MISCELLANEOUS CONCRETE.

ALL DIMENSIONS ARE IN MILLIMETERS (INCHES) UNLESS OTHERWISE NOTED.

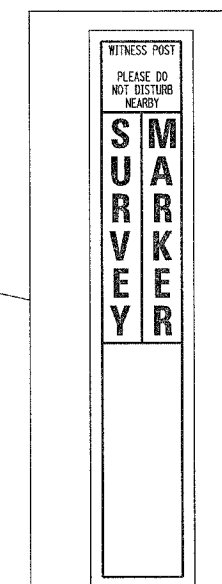


WITNESS MARKER FOR PERMANENT SURVEY MARKERS, TYPE II

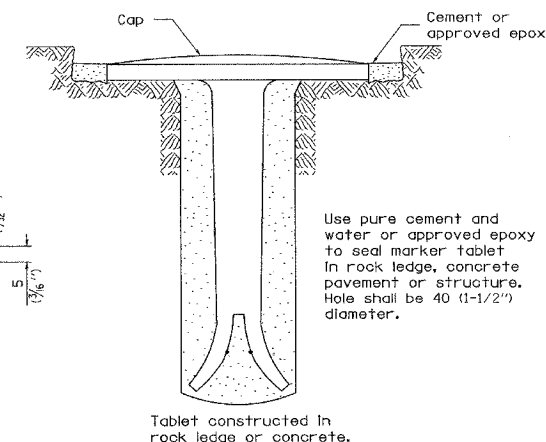
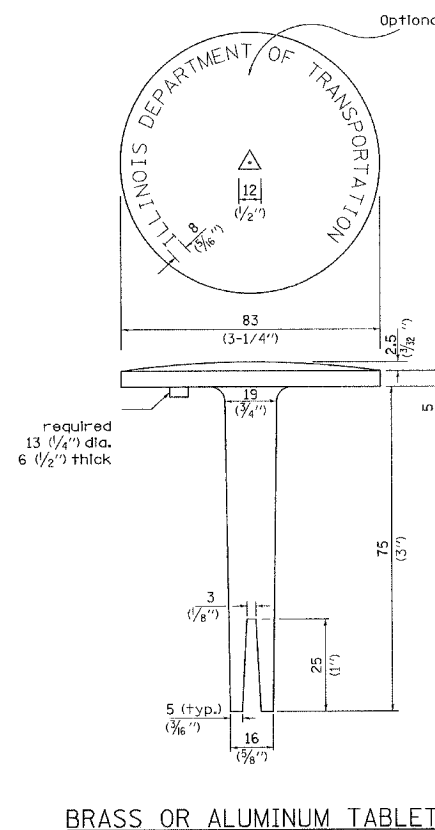


GENERAL NOTES

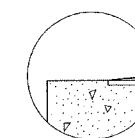
A WITNESS MARKER SHALL BE INSTALLED WITHIN 1' OF ALL PERMANENT SURVEY MARKERS TYPE II EXCEPT IN AREAS WHERE THE MARKER IS IN THE SIDEWALK. THIS WORK WILL BE INCLUDED TO THE CONTRACT UNIT PRICE PER EACH FOR PERMANENT SURVEY MARKERS, TYPE II.



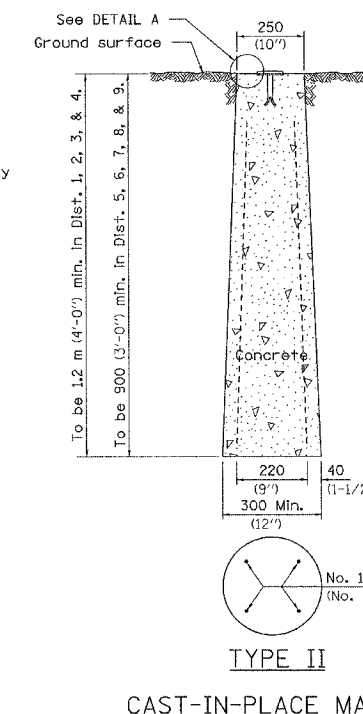
PERMANENT SURVEY MARKERS, TYPE II



TYPE II



DETAIL A



TYPE II

CAST-IN-PLACE MARKER

ALL DIMENSIONS ARE IN MILLIMETERS (INCHES) UNLESS OTHERWISE NOTED.

PLOT DATE = 08/09/2006
 FILE NAME = V:\2244\2244-7\Frm 100\standa.dwg
 PLOT SCALE = 0.2500 in / 1 in
 REFERENCE = REF#