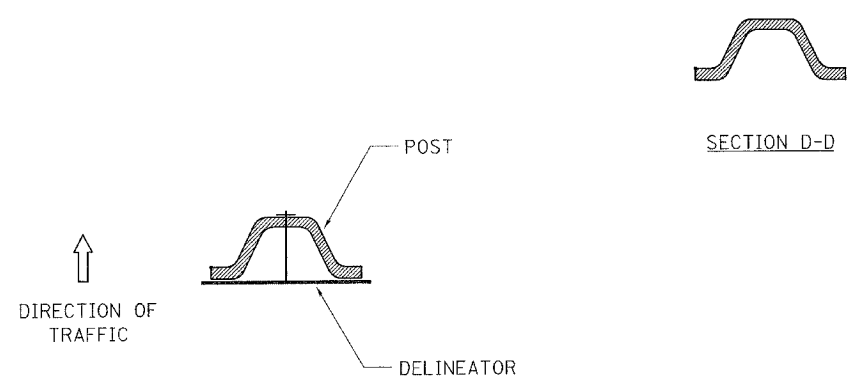


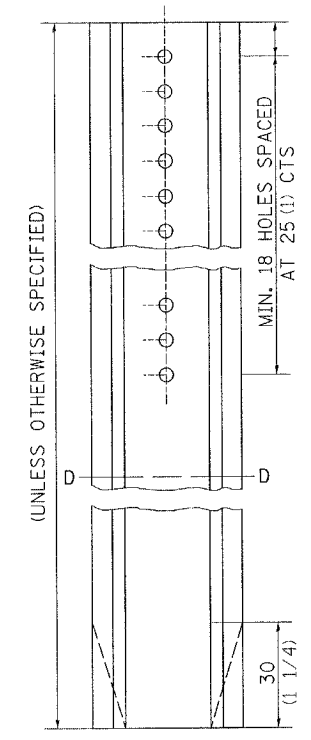
| | | | | |
|---------------------|---------|---------------------------|--------------|-----------|
| F.A.P. RTE. | SECTION | COUNTY | TOTAL SHEETS | SHEET NO. |
| I7 | 16-T | CARROLL | 47 | 31 |
| STA. | | TO STA. | | |
| FED. ROAD DIST. NO. | | ILLINOIS FED. AID PROJECT | | |

DELINEATOR AND POST ORIENTATION



DELINEATORS SHALL BE INSTALLED ACCORDING TO STANDARD 635001 EXCEPT THAT THE POST SHALL BE ROTATED 180°. THE POST WILL HAVE THE WIDE SIDE FACING TRAFFIC AND THE DELINEATOR ATTACHED AS SHOWN ABOVE.

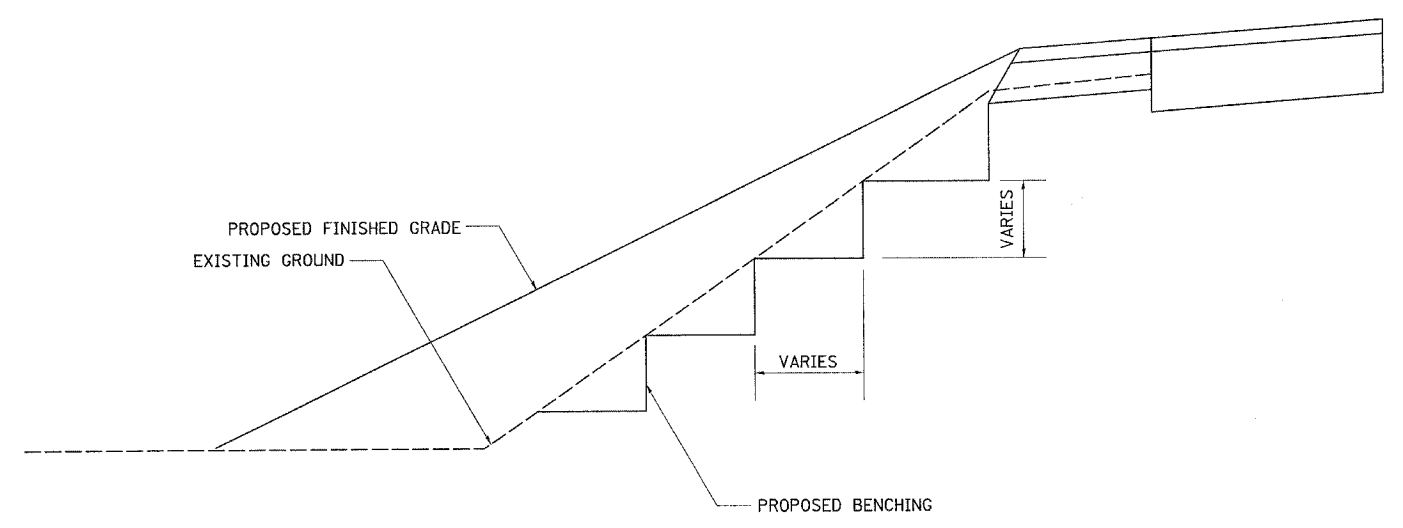
ALL DIMENSIONS ARE IN MILLIMETERS (INCHES) UNLESS OTHERWISE NOTED.



DELINEATOR AND POST ORIENTATION 37.4

REVISED 1-31-00

TYPICAL BENCHING ON EXISTING EMBANKMENT

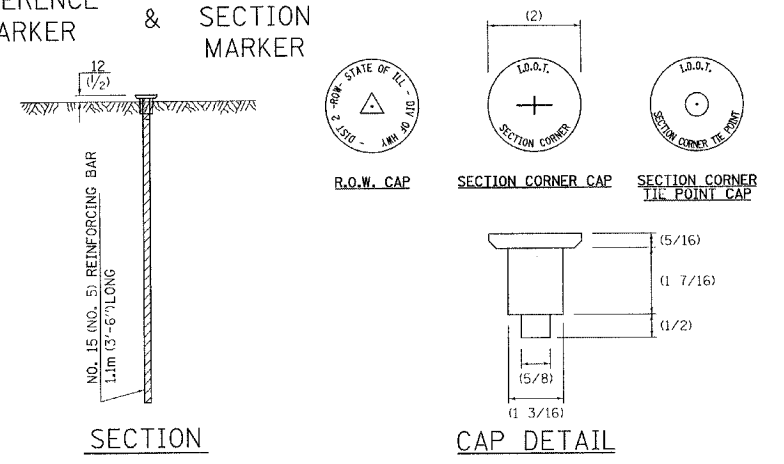


TYPICAL BENCHING ON EXISTING EMBANKMENT 50.4

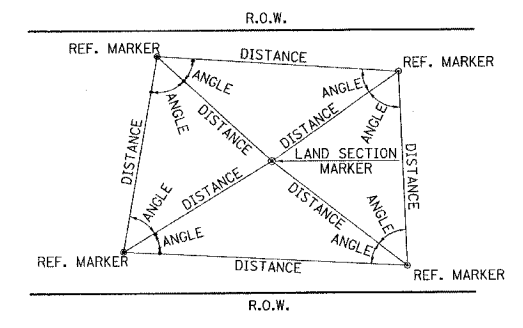
REVISED 2-22-06

LAND SECTION & REFERENCE MARKERS

REFERENCE MARKER & LAND SECTION MARKER



METHOD OF REFERENCING MARKERS



- USE INSTRUMENT TIES TO NEARBY LAND-MARKS (STEEPLES, TOWERS, SILOS, ETC...)
- IN CULTIVATED FIELDS, SET 600(2') OR MORE BELOW GROUND SURFACE.
- IN FENCE LINE OR PROTECTED AREA SET TOP AT GROUND LEVEL.

METHOD OF REFERENCING POINTS
 REFERENCE MARKERS SHALL BE USED TO TIE IN PERMANENT LAND SECTION AND 1/4 SECTION CORNERS. WHERE LAND SECTION MARKERS FALL IN THE SHOULDERS OR GRAVEL SURFACES, THE TOP OF THE BAR SHALL BE KEPT 75(3) BELOW THE SURFACE. LAND SECTION MARKERS LOCATED IN TRAFFIC LANES SHALL NOT BE REPLACED.

METAL CAPS SHALL BE PLACED ON TOP OF THE REINFORCEMENT BAR. THERE ARE 3 TYPES OF CAPS, ONE FOR THE RIGHT-OF-WAY CORNERS, ONE FOR THE SECTION CORNERS AND ONE FOR THE SECTION CORNER TIE POINTS. THE CAPS WILL BE SUPPLIED BY IDOT. CALL CHIP CORDELL (815) 284-5370 A MINIMUM OF ONE WEEK BEFORE THE CAPS ARE NEEDED

ALL DIMENSIONS ARE IN MILLIMETERS (INCHES) UNLESS OTHERWISE NOTED.

LAND SECTION & REFERENCE MARKERS 63.4

REVISED 4-22-05

PLOT DATE = 08/05/2005
 PLOT BY = JAC
 PLOT SCALE = 1/8" = 1'-0"
 REFERENCE = #REF#