

STATE OF ILLINOIS  
DEPARTMENT OF TRANSPORTATION

ROUTE NO.	SECTION	COUNTY	SHEET	NO.	SHEET NO. 12
FAS 2247	13X-BR-1	BUREAU	51	24	19 SHEETS
FED. ROAD DIST. NO. 1		ILLINOIS		FED. AID PROJECT-	

Contract #64938

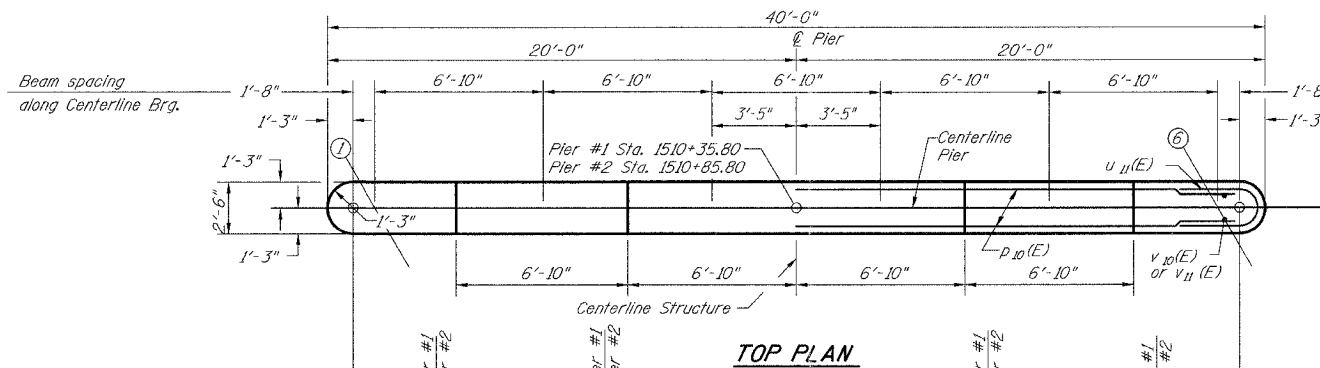
Notes: Space reinforcement in cap to miss anchor bolts.  
Four steps monolithically with cap.

**PILE DATA**

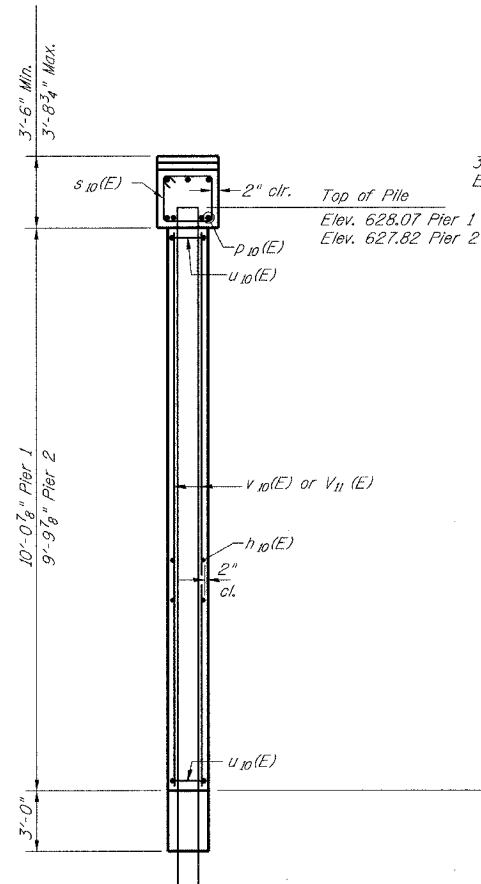
**Pier #1**  
Type: 14" Metal Shell  
Design Capacity: 37 Tons  
Est. Length: 40'  
No. Req'd: 6

**PILE DATA**

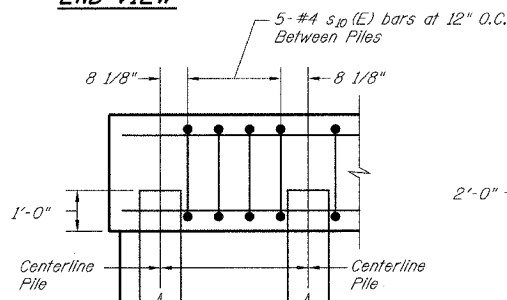
**Pier #2**  
Type: 14" Metal Shell  
Design Capacity: 40 Tons  
Est. Length: 42'  
No. Req'd: 5 Plus 1 Test Pile



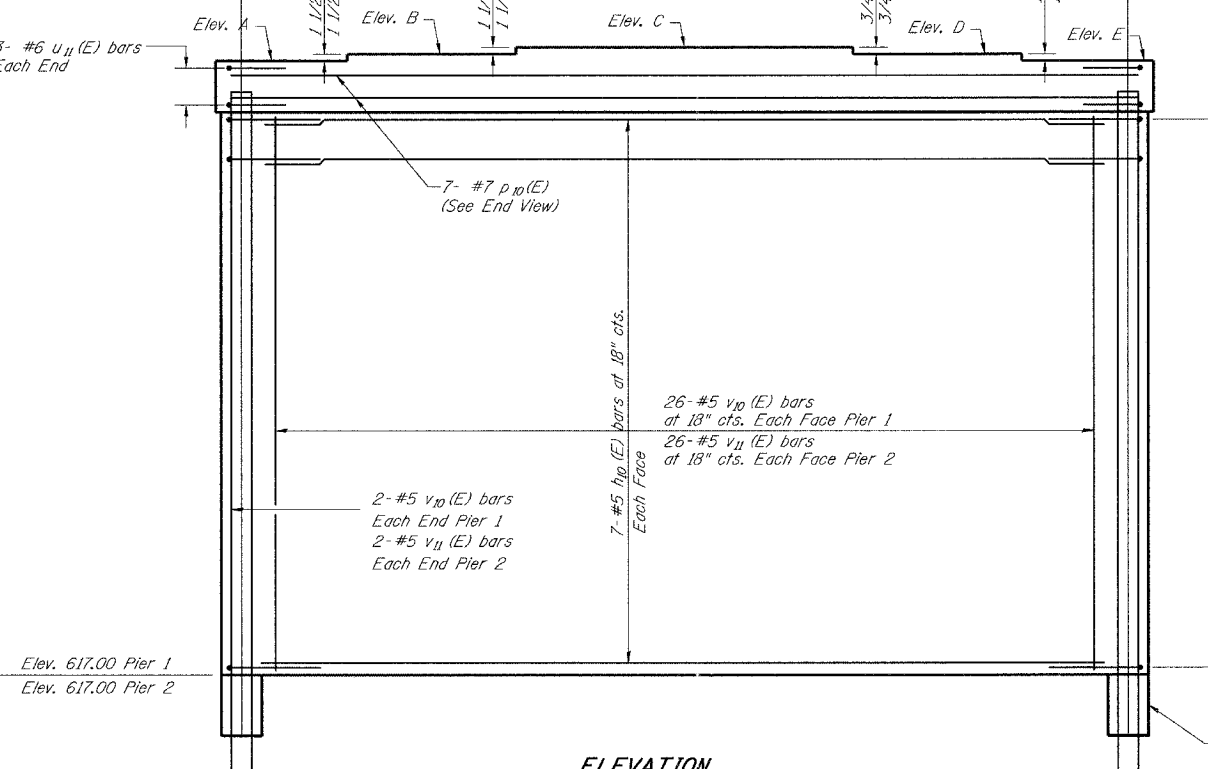
Loc.	Pier 1	Pier 2
A	630.57	630.32
B	630.69	630.44
C	630.80	630.55
D	630.74	630.49
E	630.65	630.40



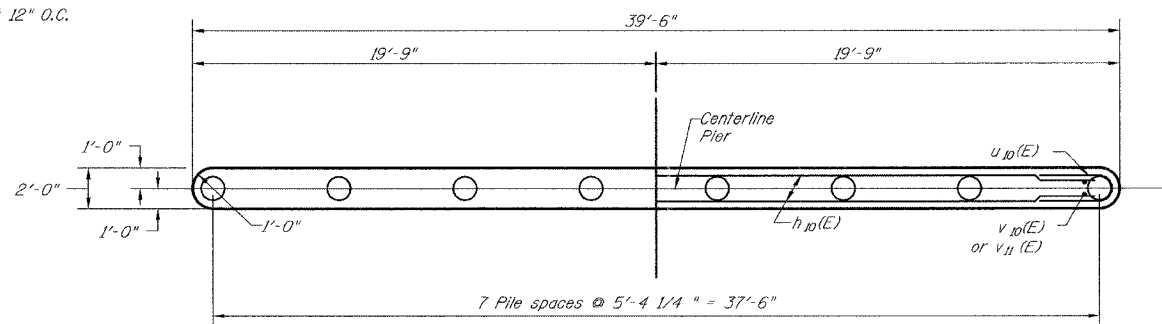
**END VIEW**



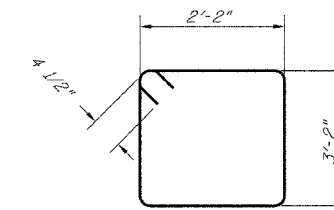
**PARTIAL ELEVATION**



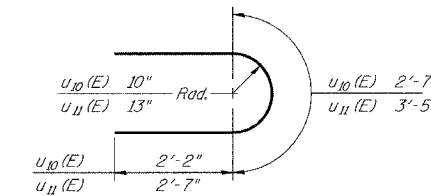
**ELEVATION**  
(LOOKING EAST)



**SECTION**

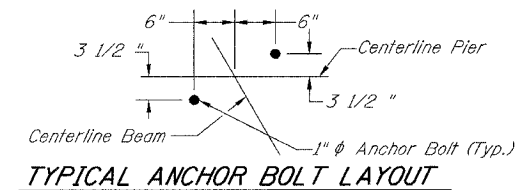


**BAR  $s_{10}(E)$**



**BARS  $u_{10}(E)$  and  $u_{11}(E)$**

See sheet 16 of 19 for pile encasement details.



**BILL OF MATERIAL - 2 PIERS**

Bar	No.	Size	Length	Shape
$h_{10}(E)$	28	#5	37'-6"	—
$p_{10}(E)$	14	#7	37'-6"	—
$s_{10}(E)$	70	#4	11'-5"	□
$u_{10}(E)$	28	#5	6'-11"	U
$u_{11}(E)$	12	#6	8'-7"	U
$v_{10}(E)$	56	#5	9'-9"	—
$v_{11}(E)$	56	#5	9'-6"	—
Concrete Structures		Cu Yd	77.2	
Reinforcement Bars, Epoxy Coated		Pound	4180	
Test Pile Metal Shells		Each	1	
Furnishing Metal Pile Shells 14 Inch		Foot	450	
Driving and Filling Shells		Foot	450	
Structure Excavation		Cu Yd	20	

\* 10 Cu Yd Pier 1  
10 Cu Yd Pier 2

Reinforcement Bars designated (E) shall be epoxy coated.

DESIGNED	JDA
CHECKED	GRE
DRAWN	KKP
CHECKED	JDA

PIER #1 & #2  
FAS ROUTE 2247 (U.S. 6)  
OVER BRUSH CREEK  
SECTION 13X-BR-1  
BUREAU COUNTY  
STA. 1510+65.80  
SN 006-0169