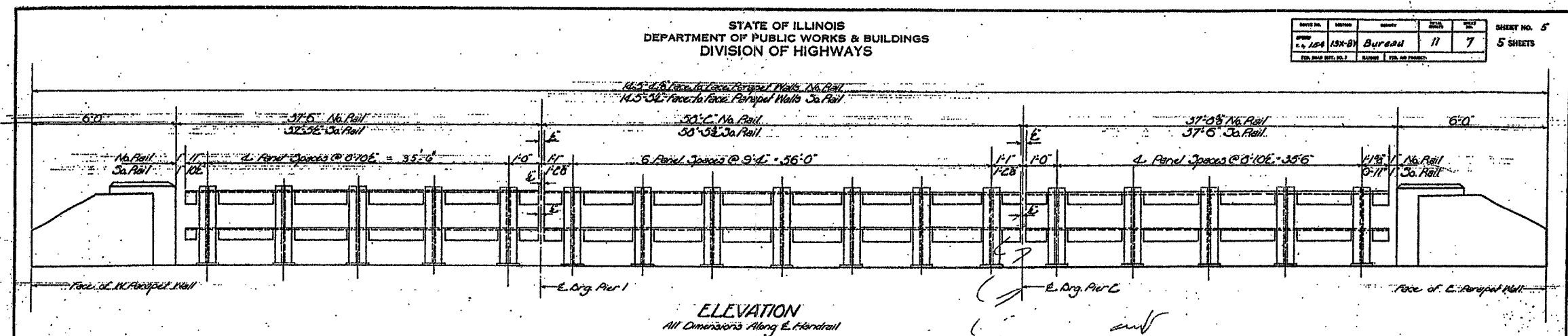


F.A.S. RTE.	SECTION	COUNTY	TOTAL SHEETS	SHEET NO.
2247	13X-BR-1	BUREAU	51	38
STA.		TO STA.		
FED. ROAD DIST. NO.		ILLINOIS	FED. AID PROJECT	

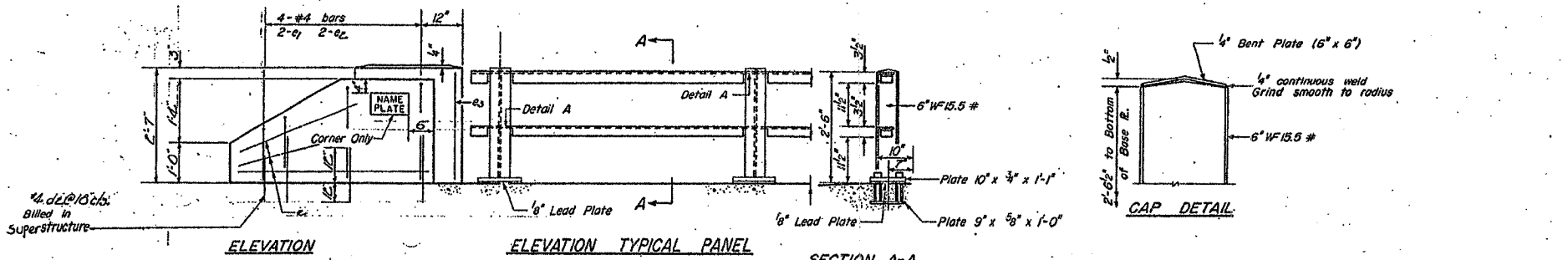
FOR INFORMATION ONLY 38 of 51

STATE OF ILLINOIS
DEPARTMENT OF PUBLIC WORKS & BUILDINGS
DIVISION OF HIGHWAYS

DATE	BY	REVISION	NO.	DATE
11/1/54	Bureau		11	7
SHEET NO. 5 5 SHEETS				



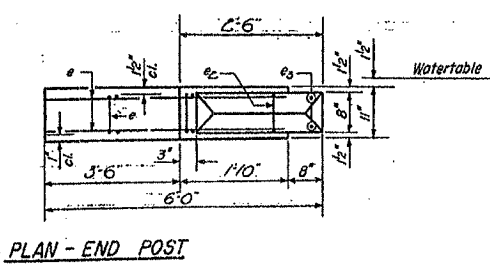
ELEVATION
All Dimensions Along E. Handrail



GENERAL NOTES
All End Posts shall be Handrail Concrete.
After erection all Bolts and Washers shall be spot painted with one coat of red lead and two coats of aluminum paint.

BILL OF MATERIAL

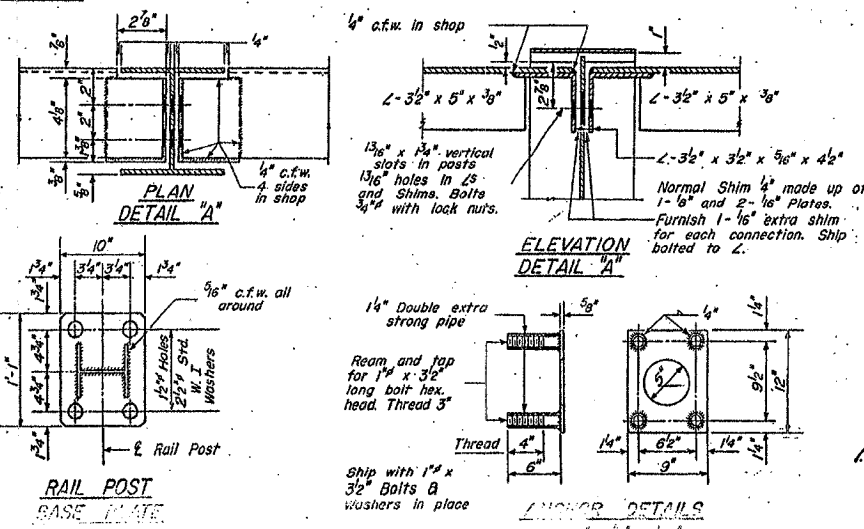
Handrail Concrete	Cu. Yd.	1.6
Reinforcement Bars	Lbs.	120
Metal Handrail	Lin. Ft.	267



PLAN - END POST

BILL OF REINFORCEMENT

Bar	No.	Size	Length	Shape
1	24	#4	3'-9"	
2	8	#4	3'-4"	
3	8	#4	5'-0"	



HANDRAIL DETAILS
PART 154 - SEC. 13X-B3
BUREAU COUNTY
STA. 19+58

DESIGNED: Abraham S. Selbach
CHECKED: [Signature]
EXAMINED: [Signature]
PASSED: [Signature]
DATE: SEPT. 25 1957

REVISIONS		ILLINOIS DEPARTMENT OF TRANSPORTATION
NAME	DATE	
		FOR INFORMATION ONLY

SCALE: VERT. DATE
HORIZ. DATE
DRAWN BY
CHECKED BY