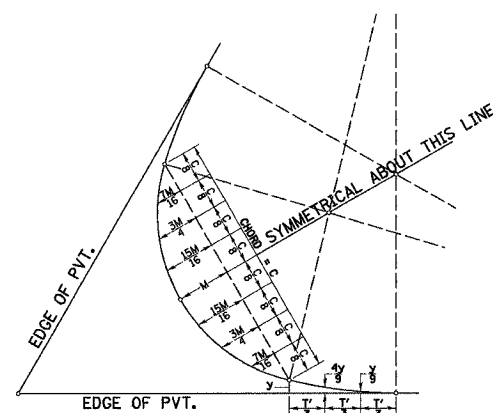


F.A.S. RTE.	SECTION	COUNTY	TOTAL SHEETS	SHEET NO.
2247	13X-BR-1	BUREAU	51	44
STA.		TO STA.		
FED. ROAD DIST. NO. 1		ILLINOIS FED. AID PROJECT		

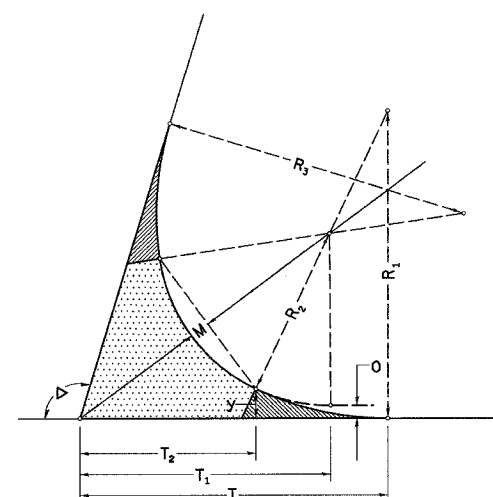
THREE CENTER CURVE DATA

SYMMETRICAL CURVES



FIELD LAYOUT METHOD

CURVE #							
R ₁							
R ₂							
R ₃							
O							
Δ							
T							
T ₁							
T ₂							
T'							
y							
4y/9							
y/9							
M							
15M/16							
3M/4							
7M/16							
C							



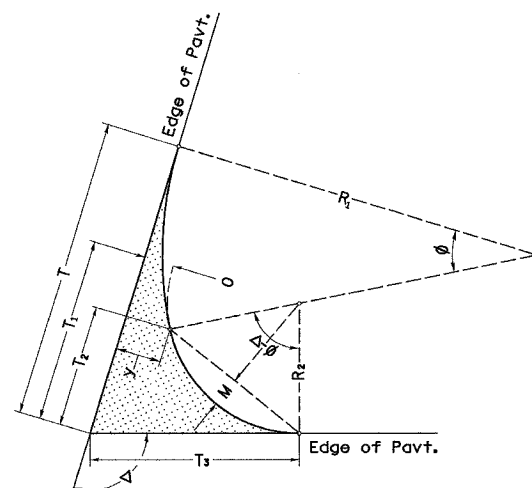
FOR SYMMETRICAL CURVES

ALL DIMENSIONS ARE IN MILLIMETERS (INCHES) UNLESS OTHERWISE NOTED.

- Ⓐ FOR NW CURVE THESE NUMBERS ARE ALONG A LOCAL TANGENT TO MAINLINE AT STA. 1508+04.15, 12' LT.
- Ⓑ FROM EOP ALONG THE MAINLINE CURVE

TWO CENTER CURVE DATA

• INTERSECTION US 6 WITH CH 19



TWO CENTER CURVES

CURVE #	NE •	NW•					
R ₁	300	200					
R ₂	40	60					
∅	17°-31'-29"	24°-30'-02"					
Δ	103°-21'-49"	78°-02'-15"					
T	131.54	104.01	Ⓐ				
T ₁	53.47	44.70	Ⓐ				
T ₂	41.46	21.07	Ⓐ				
T ₃	62.95	61.51					
y	13.85	18.01					
4y/9	6.16	8.00					
y/9	1.54	2.00					
M	10.72	6.43					
15M/16	10.05	6.03					
3M/4	8.04	4.82					
7M/16	4.69	2.81					
O	12.00	12.00	Ⓑ				

PLOT DATE = 7/26/88
 FILE NAME = 226905SPL
 PLOT SCALE = NONE
 REFERENCE = NONE