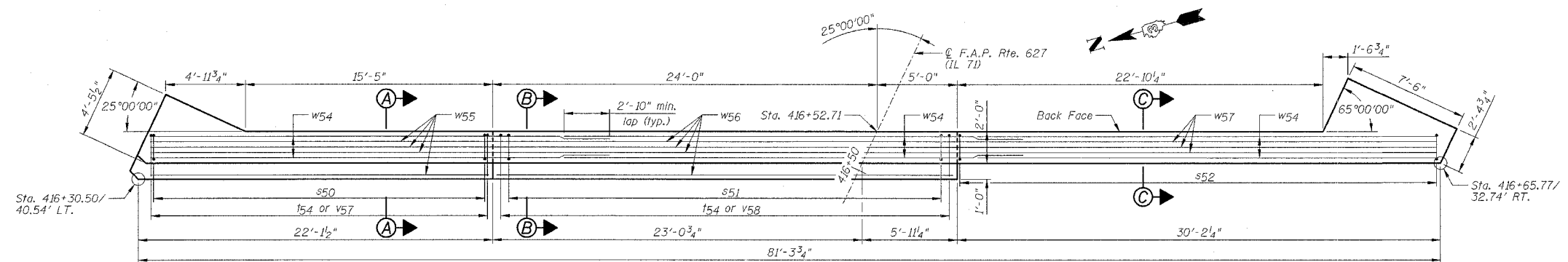
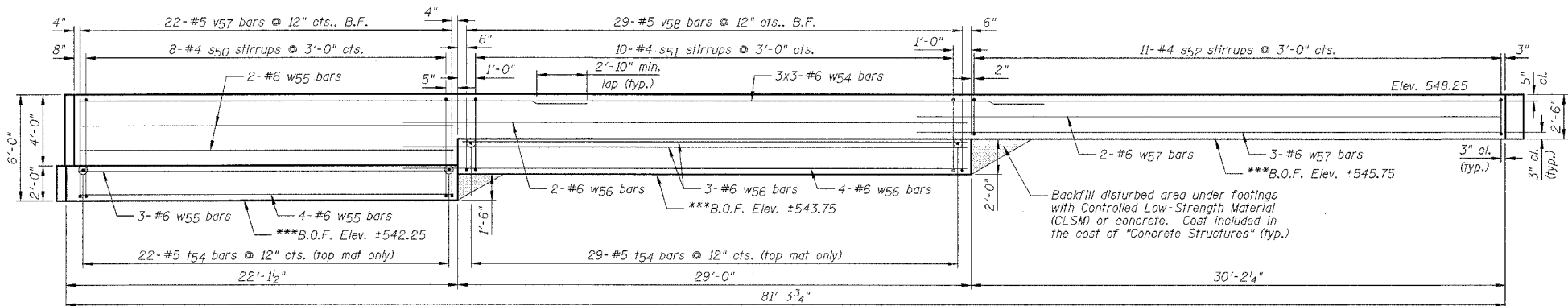


F.A.P. RTE.	SECTION	COUNTY	TOTAL SHEETS	SHEET NO.
627	(I-1) BR & I	LA SALLE	106	38
STA.	TO STA.			
FED. ROAD DIST. NO.	ILLINOIS FED. AID PROJECT			

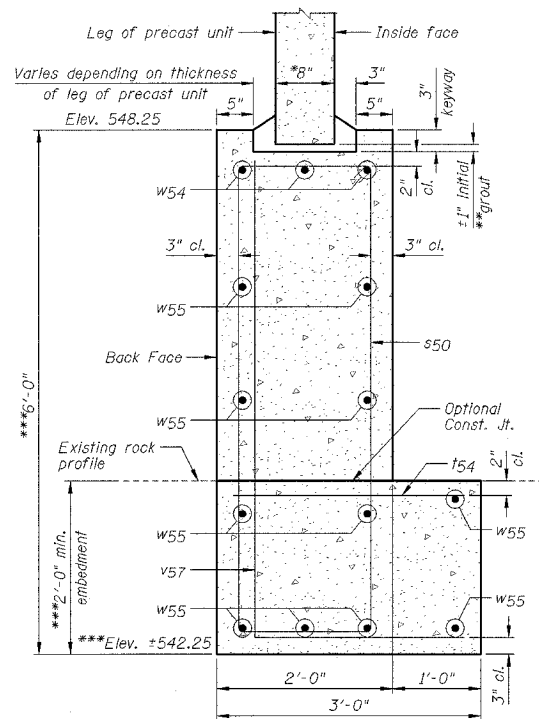
SHEET NO. F4  
OF 14 SHEETS



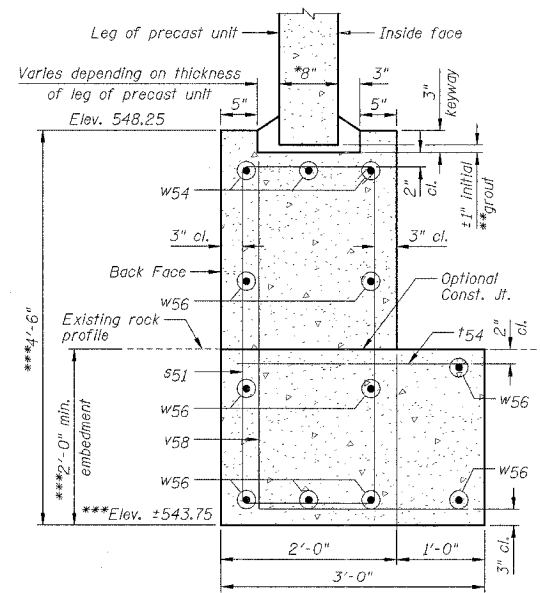
FOOTING REINFORCEMENT LAYOUT PLAN



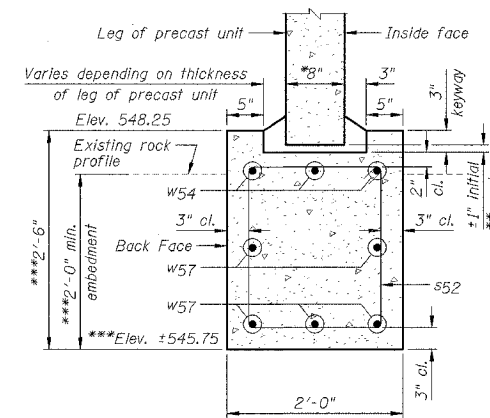
FOOTING ELEVATION - LOOKING EAST



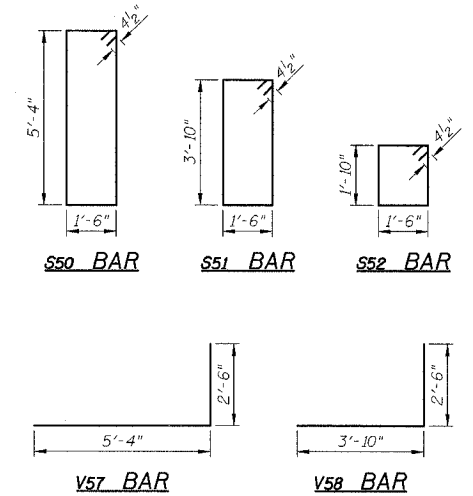
SECTION A-A



SECTION B-B



SECTION C-C



EAST FOOTING  
BILL OF MATERIALS

Bar	No.	Size	Length	Shape
s50	8	#4	14'-5"	□
s51	10	#4	11'-5"	□
s52	11	#4	7'-5"	□
t54	51	#5	2'-6"	—
v57	22	#5	7'-10"	—
v58	29	#5	6'-4"	—
w54	9	#6	28'-8"	—
w55	11	#6	21'-2"	—
w56	9	#6	31'-10"	—
w57	5	#6	33'-0"	—
Item	Unit	Quantity		
Rock Excavation for Structures	Cu. Yd.	23		
Concrete Structures	Cu. Yd.	31.8		
Reinforcement Bars	Pound	2130		

NOTES:

- 1.) Work this sheet with Sheets F1 thru F3 and F5 thru F11.
- 2.) \*Confirm thickness with Precaster.
- 3.) \*\*2:1 sand and portland cement, very dry mix.
- 4.) B.O.F. denotes Bottom Of Footing.
- 5.) \*\*\*Outside the limits of the existing footings, the new footings shall be set 2'-0" minimum into sound rock. The thickness of the footings shall be increased if required to maintain this embedment. Within the limits of the existing footings, the thickness of the footings shall be increased, if necessary, such that the bottom of the new footings are set 6" below the bottom of the existing footings.
- 6.) w56 bars shall be field cut as required.
- 7.) Calculated Maximum Bearing Pressure = 7.8 ksf

EAST FOOTING REINFORCEMENT PLAN,  
ELEVATION, SECTIONS AND DETAILS  
IL ROUTE 71  
OVER TRIBUTARY TO ILLINOIS RIVER  
F.A.P. ROUTE 627 - SEC. (I-1) BR & I  
LA SALLE COUNTY  
STATION 416+44.62  
STRUCTURE NO. 050-C804

DESIGNED BY J.M.L.  
DRAWN BY D.J.M.  
CHECKED BY M.S.W.

**Farnsworth GROUP**  
2700 McGraw Drive  
Bloomington, Illinois 61704  
304/883-8436, 304/883-1671 fax

FILE NO. 24-6772  
DATE 05-12-06  
SHEET NO. 38 of 106