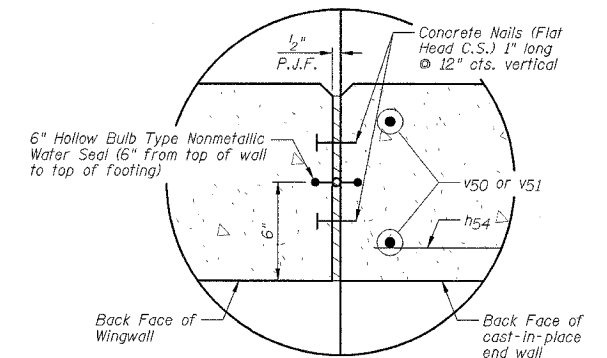
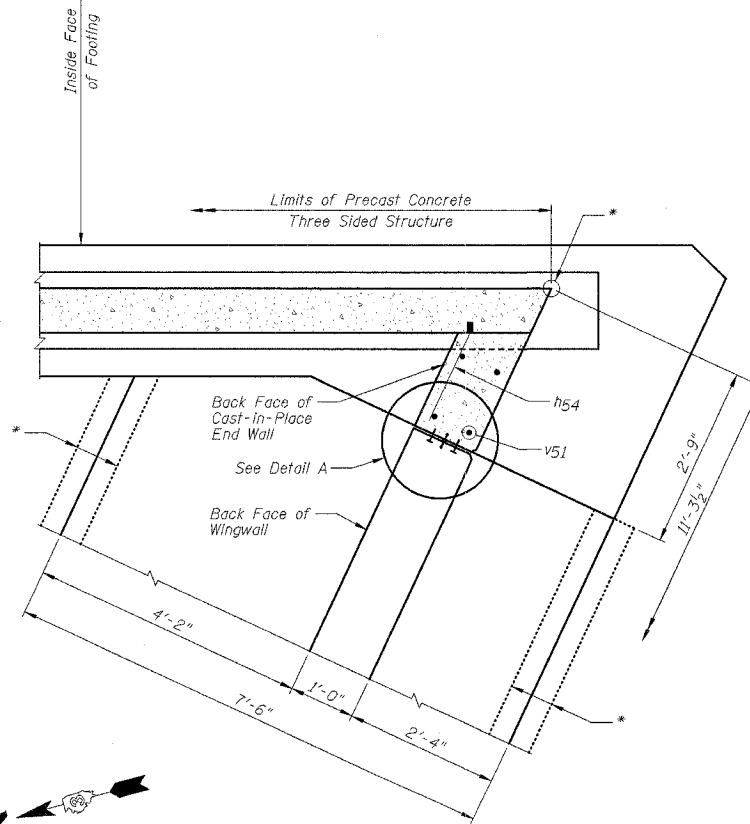
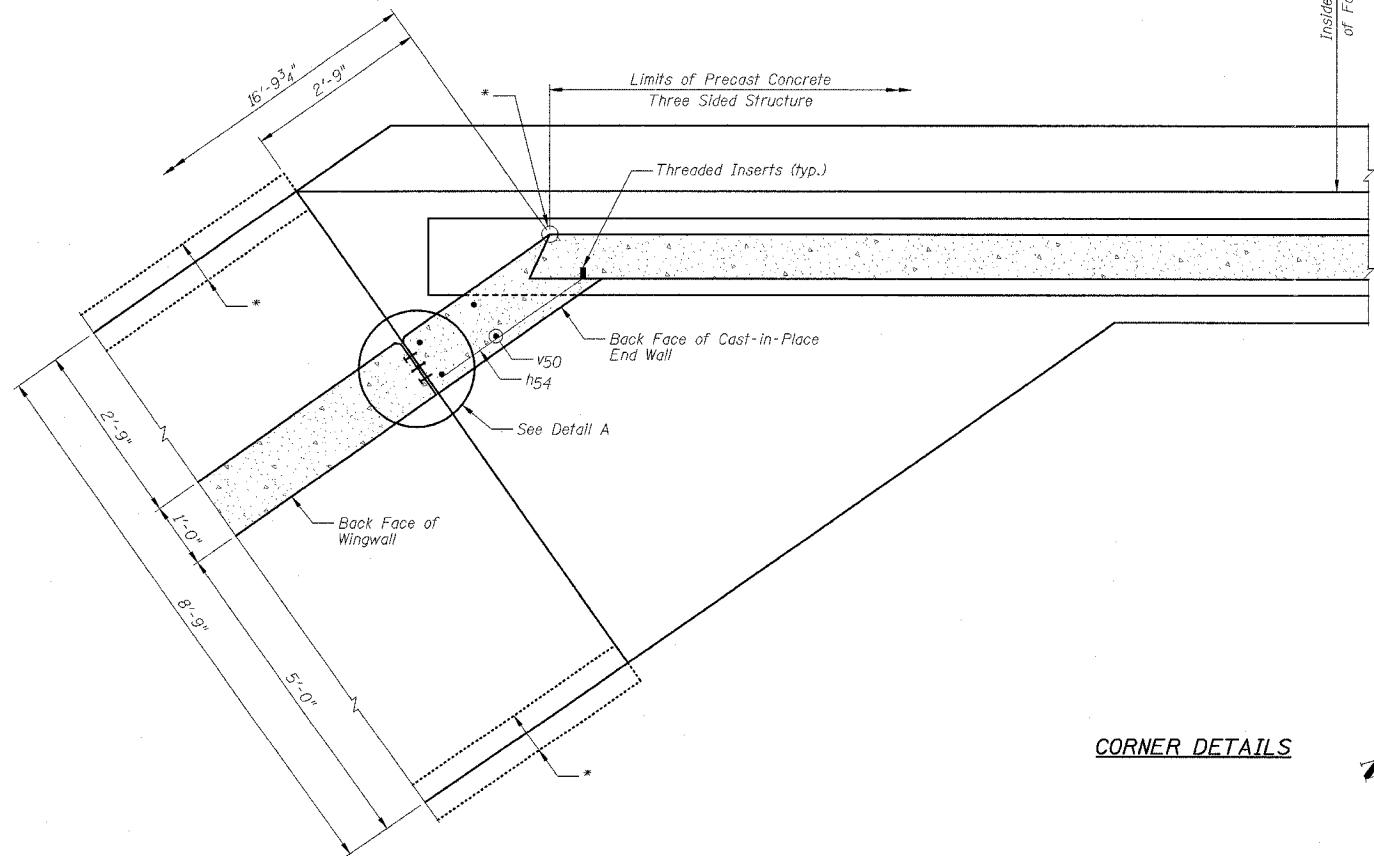
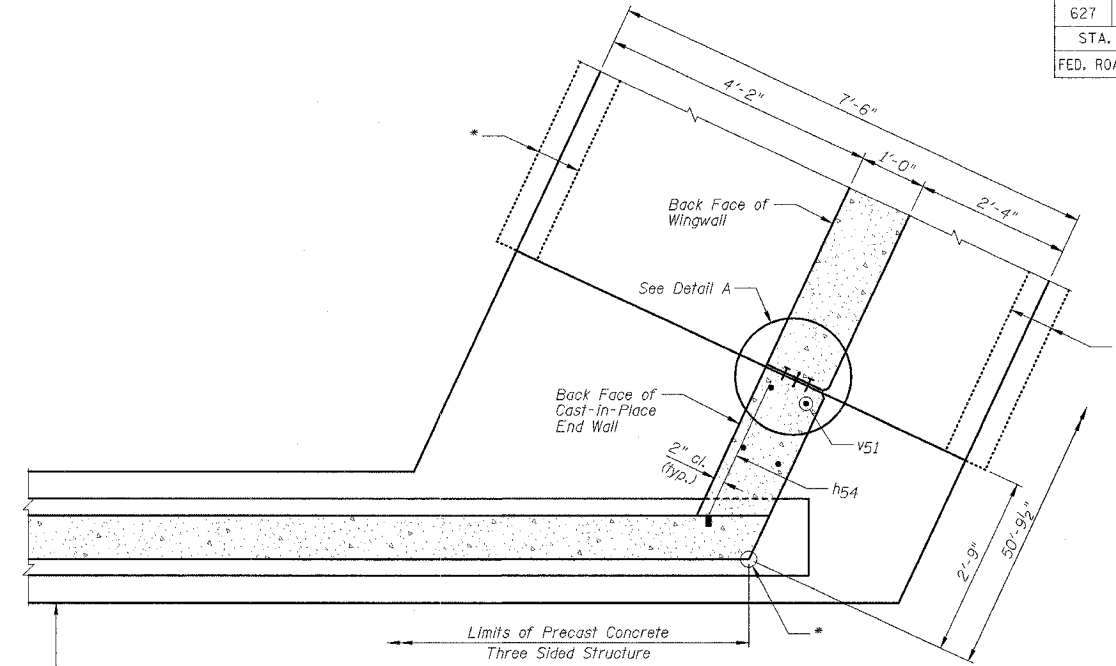
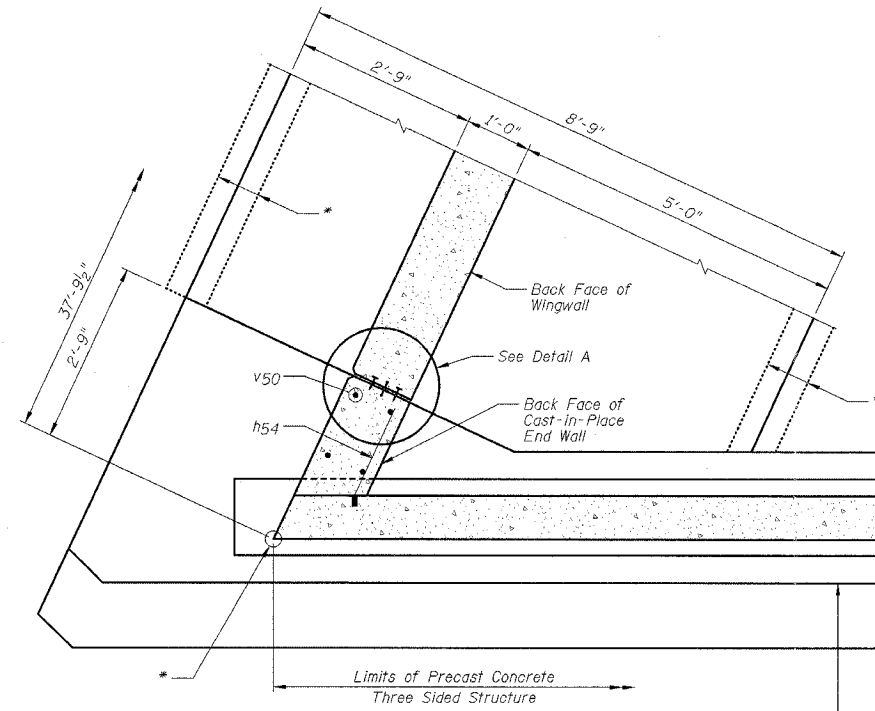


F.A.P. RTE.	SECTION	COUNTY	TOTAL SHEETS	SHEET NO.
627	(I-1) BR & I	LA SALLE	106	40
STA.	TO STA.			
FED. ROAD DIST. NO.	ILLINOIS FED. AID PROJECT			

SHEET NO. F6
OF 14 SHEETS



NOTES:

- 1.) Work this sheet with Sheets F1 thru F5 and F7 thru F11.
- 2.) *The location of the inside corner of the precast leg may vary due to tolerances in the precast segments. The cast-in-place end walls shall be poured with the headwalls after the precast units are in place. The wing footings and wingwalls shall be poured after the headwalls and end walls are in place. A slight adjustment in the placement of the wingwall and its footing may be necessary to align the wingwall with the end wall as shown.
- 3.) All the materials used to fill the joints shall be included in the cost of "Concrete Structures".
- 4.) For h54, v50 & v51 bars and threaded inserts, see Sheets FB & F10.

CORNER DETAILS



DESIGNED BY J.M.L.	<p>2706 Midway Drive Bloomington, Illinois 61704 309/899-8635, 309/899-9771 Fax</p>	FILE NO. 24-6772
DRAWN BY D.J.M.		DATE 05-12-06
CHECKED BY M.S.W.		SHEET NO. 40 of 106

CORNER DETAILS
IL ROUTE 71
OVER TRIBUTARY TO ILLINOIS RIVER
F.A.P. ROUTE 627 - SEC. (I-1) BR & I
LA SALLE COUNTY
STATION 416+44.62
STRUCTURE NO. 050-C804