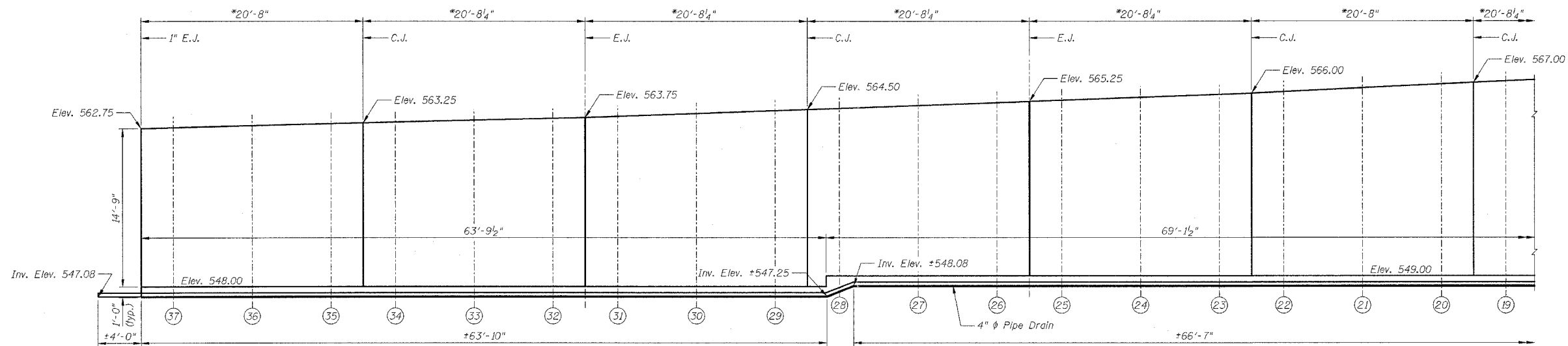


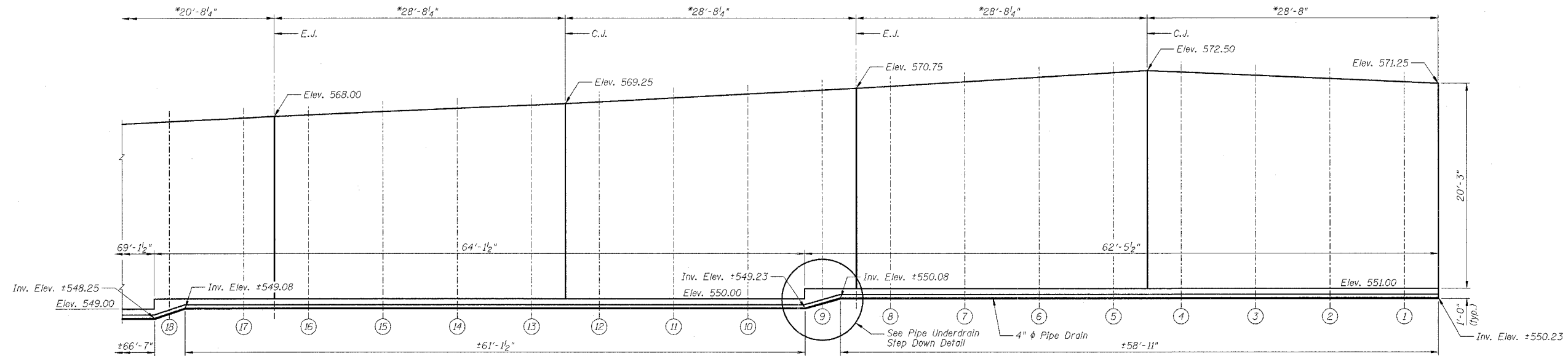
F.A.P. RTE.	SECTION	COUNTY	TOTAL SHEETS	SHEET NO.
627	(I-1) BR & I	LA SALLE	106	55
STA.	TO STA.			
FED. ROAD DIST. NO.	ILLINOIS	FED. AID PROJECT		

SHEET NO. 67  
OF 12 SHEETS

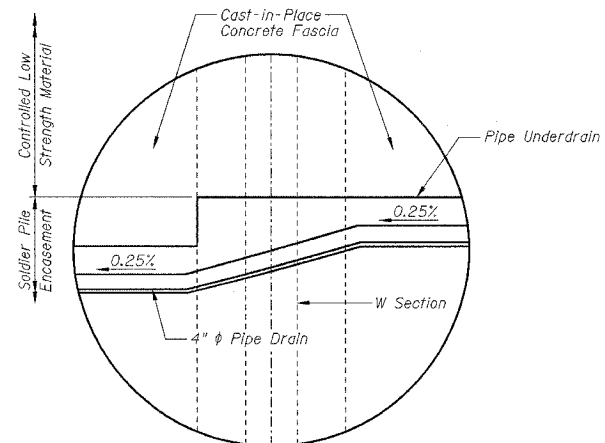


**PIPE UNDERDRAIN ELEVATION**  
(Looking West)

Note: \*Dimensions taken from Front Face of Wall.



**PIPE UNDERDRAIN ELEVATION**  
(Looking West)



**PIPE UNDERDRAIN STEP DOWN DETAIL**

**NOTE:**  
Work this sheet with Sheets G1 thru G6.

**BILL OF MATERIALS**

Item	Unit	Total
Pipe Underdrains for Structures 4"	Foot	265

**PIPE UNDERDRAIN ELEVATION AND DETAIL**  
IL ROUTE 71  
SOLDIER PILE RETAINING WALL  
F.A.P. ROUTE 627 - SEC. (I-1) BR & I  
LA SALLE COUNTY  
STATION 462+24.35 TO STATION 464+94.66  
PROPOSED STRUCTURE NO. 050-W004

DESIGNED BY J.M.L.	<p>2706 McGraw Drive Bloomington, Illinois 61704 308/858-8636, 308/858-1571 fax</p>	FILE NO. 24-6772
DRAWN BY D.J.M.		DATE 05-12-06
CHECKED BY M.S.W.		SHEET NO. 55 of 106