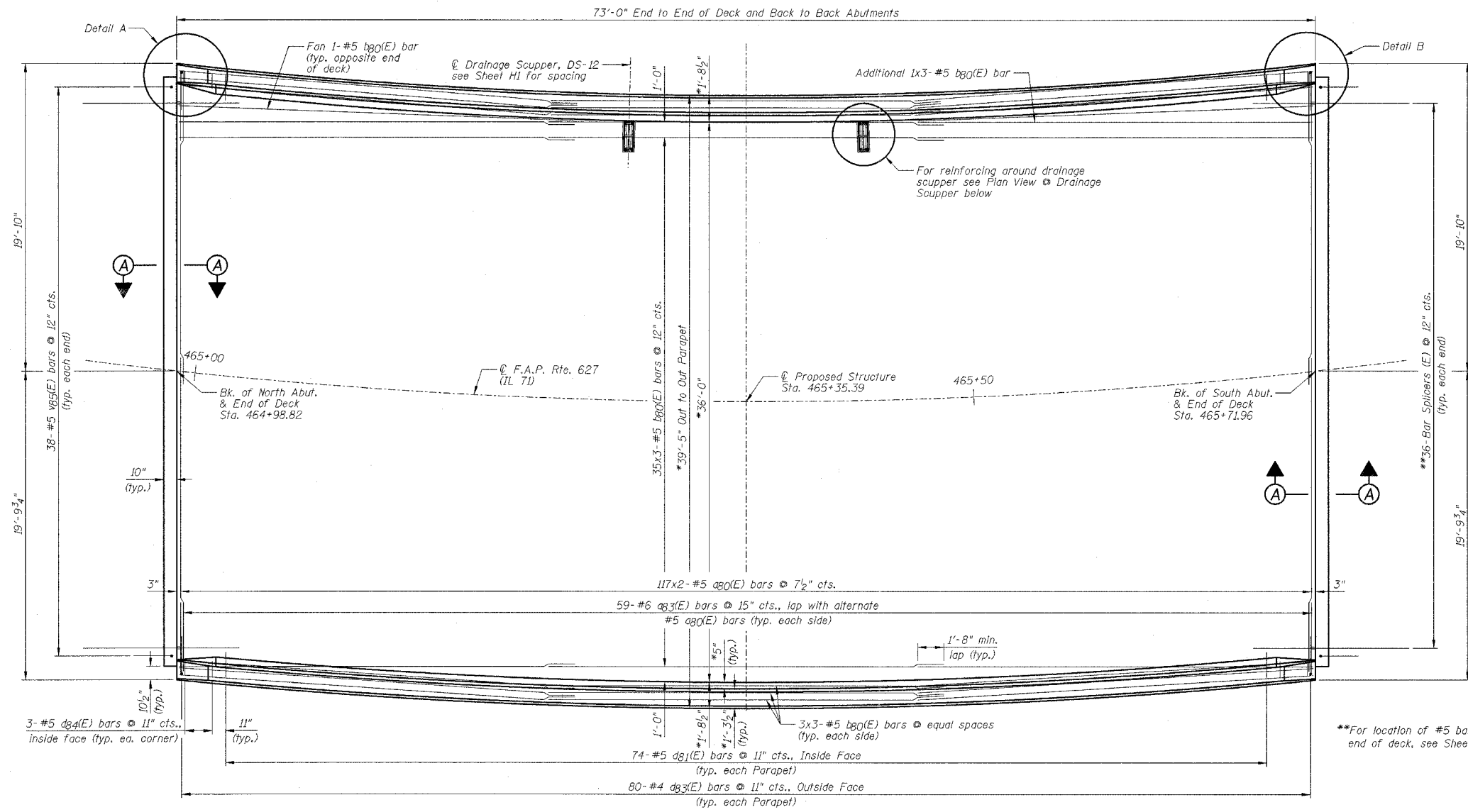
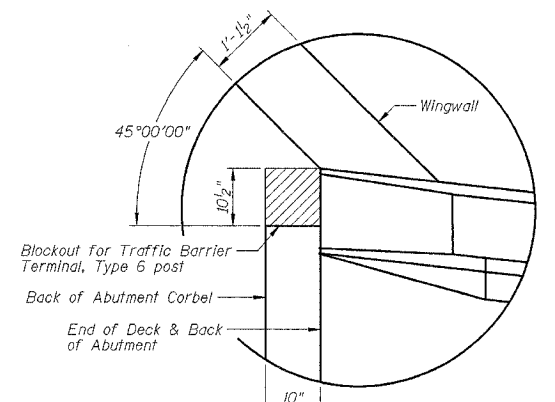


F.A.P. RTE.	SECTION	COUNTY	TOTAL SHEETS NO.	SHEET NO.
627	(I-1) BR & I	LA SALLE	106	67
STA. TO STA.		ILLINOIS FED. AID PROJECT		
FED. ROAD DIST. NO.				

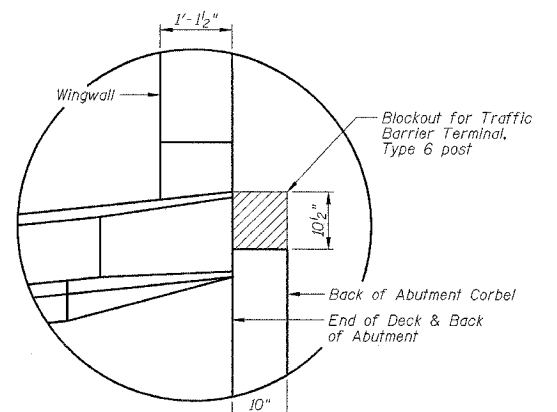
SHEET NO. H7
OF 26 SHEETS



SLAB PLAN TOP REINFORCING

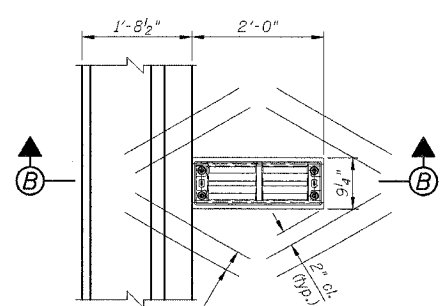


DETAIL A
(typical 1 location)

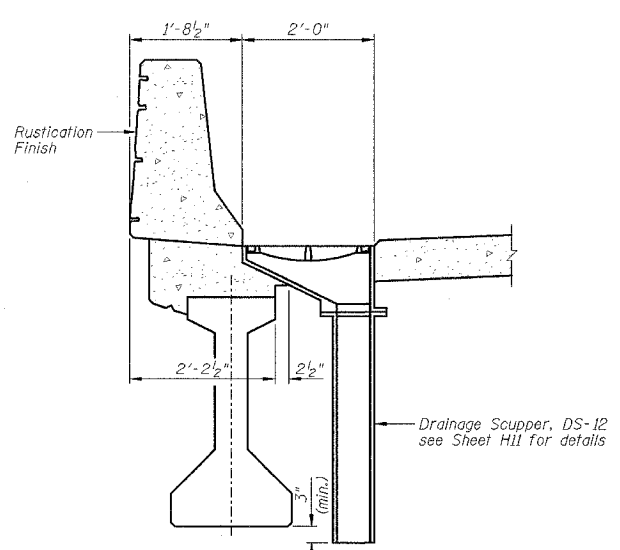


DETAIL B
(typical 3 locations)

**For location of #5 bar splicers at end of deck, see Sheets H12 & H13.



PLAN VIEW @ DRAINAGE SCUPPER
(Typical 2 locations)



SECTION B-B

NOTES:

- 1.) Work this sheet with Sheets H8 thru H11.
- 2.) Reinforcement bars designated (E) shall be epoxy coated.
- 3.) See Sheet H10 for Superstructure Details and Bill of Materials.
- 4.) See Sheets H12 & H13 for Section A-A and diaphragm details.
- 5.) See Sheets H17 & H18 for sections of abutments.
- 6.) Fan bars as required for curve.
- 7.) Bars indicated thus 20 x 4-#5 etc. indicates 20 lines of bars with 4 lengths per line.
- 8.) Minimum lap length #5 bar = 1'-8".
#6 bar = 2'-0"
- 9.) *Indicates dimensions are measured radially.
- 10.) See Sheet H19 for "Rustication Finish" locations.

SUPERSTRUCTURE DECK
IL ROUTE 71
OVER TRIBUTARY TO ILLINOIS RIVER
F.A.P. ROUTE 627 - SEC. (I-1) BR & I
LA SALLE COUNTY
STATION 465+35.39
STRUCTURE NO. 050-0239

DESIGNED BY J.M.L.	<p>2700 Woodrow Drive Bloomington, Illinois 61704 309/655-6435, 309/983-1671 fax</p>	FILE NO. 24-6772
DRAWN BY D.J.M.		DATE 05-12-06
CHECKED BY M.S.W.		SHEET NO. 67 of 106