

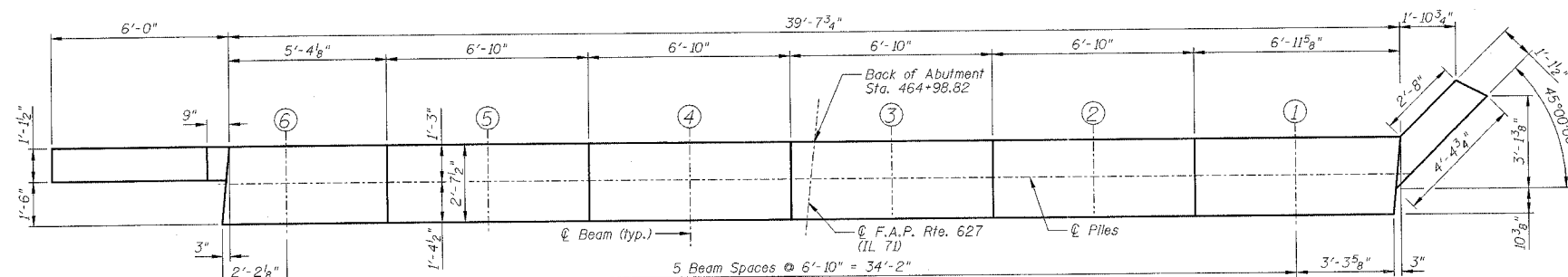
F.A.P. RTE.	SECTION	COUNTY	TOTAL SHEETS	SHEET NO.
627	(I-1) BR & I	LA SALLE	106	77
STA.	TO STA.			
FED. ROAD DIST. NO.	ILLINOIS FED. AID PROJECT			

SHEET NO. H17
OF 26 SHEETS

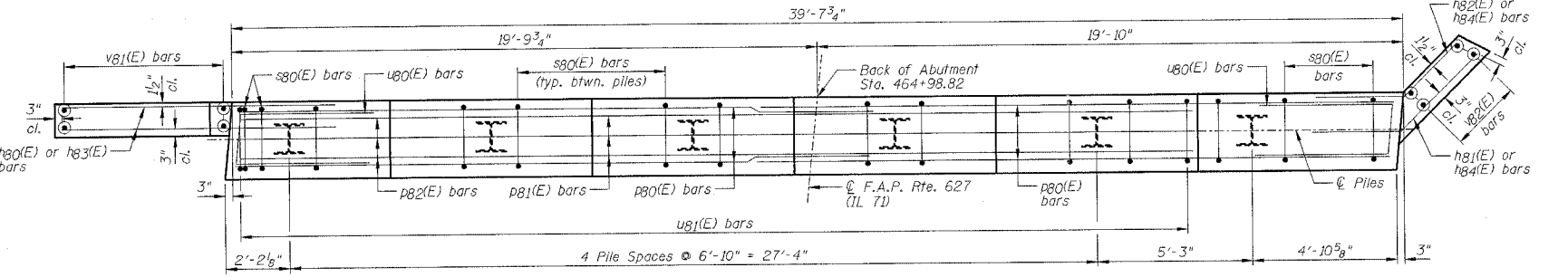
**BILL OF MATERIALS-
NORTH ABUTMENT**

Bar	No.	Size	Length	Shape
h80(E)	34	#5	9'-0"	
h81(E)	15	#5	6'-8"	
h82(E)	15	#5	5'-6"	
h83(E)	2	#5	5'-9"	
h84(E)	4	#5	2'-5"	
p80(E)	28	#7	21'-5"	
p81(E)	12	#6	9'-8"	
p82(E)	3	#6	4'-10"	
s80(E)	34	#4	13'-11"	
u80(E)	10	#6	11'-2"	
u81(E)	33	#4	8'-2"	
v80(E)	68	#5	4'-4"	
v81(E)	7	#5	19'-2"	
v82(E)	8	#5	10'-2"	

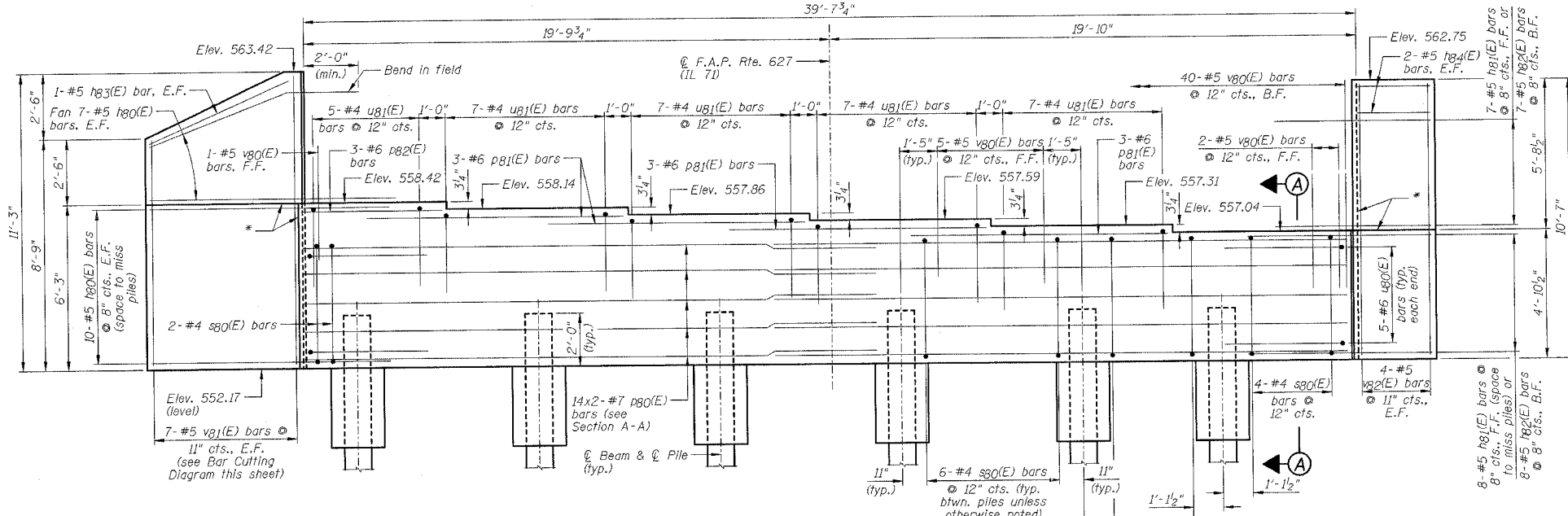
Item	Unit	Quantity
Porous Granular Embankment (Special)	Cu. Yd.	96
Structure Excavation	Cu. Yd.	830
Concrete Structures	Cu. Yd.	25.4
Reinforcement Bars, Epoxy Coated	Pound	3150
Furnishing Steel Piles HP 12x63	Foot	75
Driving Steel Piles HP 12x63	Foot	75
Test Pile Steel HP 12x63	Each	1
Geocomposite Wall Drain	Sq. Yd.	43
Pipe Underdrains for Structures, 4"	Foot	48



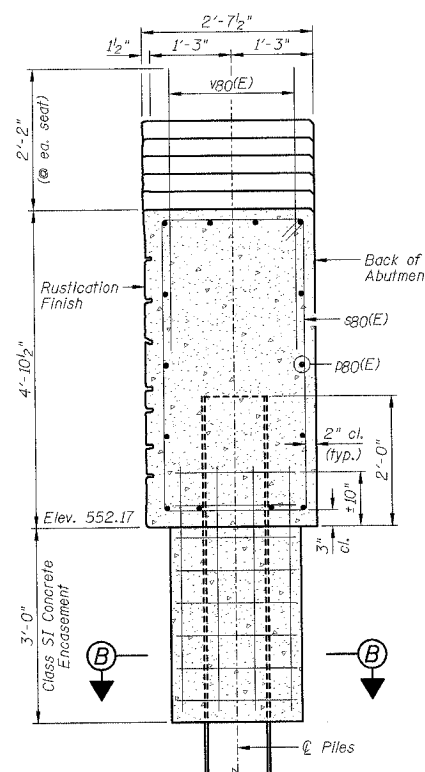
TOP VIEW ABUTMENT (SHOWING BEARING SEAT)



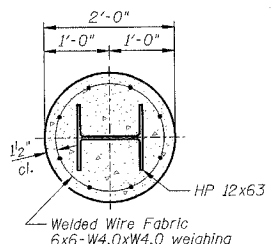
PLAN - PILE CAP



ELEVATION - LOOKING NORTH



SECTION A-A

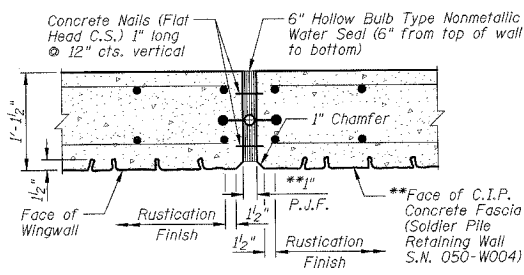


SECTION B-B

Note: The cost of Excavation, Class SI Concrete Encasement and reinforcement is included with furnishing piles. Form for encasement may be omitted when soil conditions will permit.

PILE DATA:

Type	HP 12x63 Steel
No. Req'd.	5+1 Test Pile
Est. Length	15 Feet
Capacity	Drive to Refusal

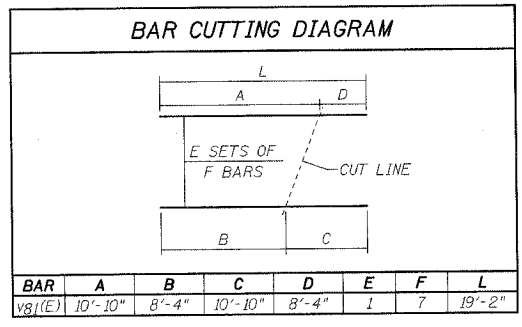


EXPANSION JOINT DETAIL

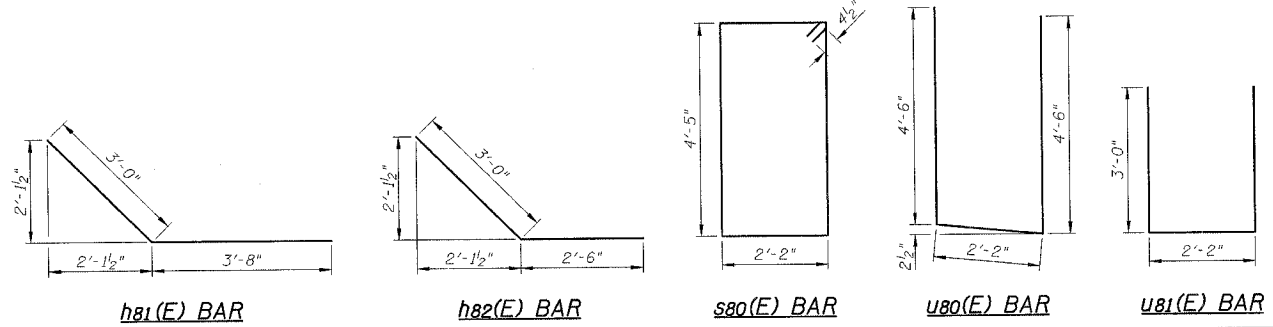
Note: P.J.F. exaggerated for clarity.

NOTES:

- 1.) Reinforcement bars designated (E) shall be epoxy coated.
- 2.) Pour steps monolithically with cap.
- 3.) B.F. denotes Back Face
F.F. denotes Front Face
E.F. denotes Each Face
- 4.) See Sheet H19 for "Rustication Finish" locations.
- 5.) *Optional bonded construction joint.
- 6.) **See Soldier Pile Retaining Wall plans, Sheets G1 thru G7.
- 7.) Minimum lap length: #5 bar = 2'-10"
#7 bar = 3'-10"



BAR	A	B	C	D	E	F	L
v81(E)	10'-10"	8'-4"	10'-10"	8'-4"	1	7	19'-2"



DESIGNED BY: J.M.L.
DRAWN BY: D.J.M.
CHECKED BY: M.S.W.

Farnsworth GROUP
2700 McGraw Drive
Bloomington, Illinois 61704
309/833-3435, 309/853-1671 fax

FILE NO. 24-6772
DATE 05-12-06
SHEET NO. 77 of 106

NORTH ABUTMENT AND PILE DETAILS
IL ROUTE 71
OVER TRIBUTARY TO ILLINOIS RIVER
F.A.P. ROUTE 627 - SEC. (I-1) BR & I
LA SALLE COUNTY
STATION 465+35.39
STRUCTURE NO. 050-0239