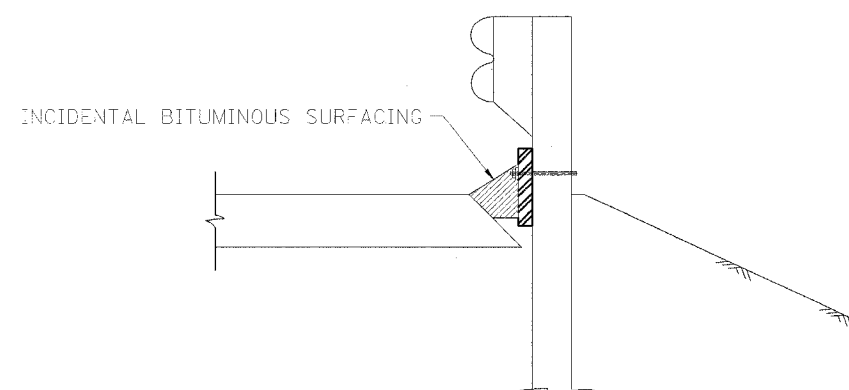
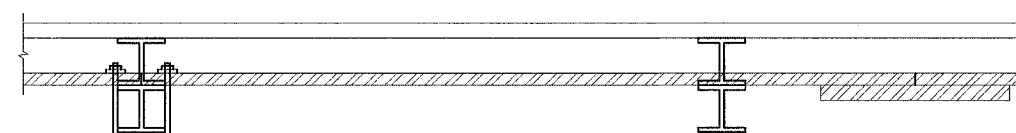


F.A.P. RTE.	SECTION	COUNTY	TOTAL SHEETS	SHEET NO.
627	(1-1) BR & I	LA SALLE	106	88
STA.		TO STA.		
FED. ROAD DIST. NO.	ILLINOIS	FED. AID PROJECT		



**SIDE VIEW**



**TOP VIEW**

SPLICE PLATE 2" x 12", 2' LONG WITH #16 GALVANIZED NATL TO THE TREATED TIMBER CURB (COST INCLUDED). SPLICE PLATE TO BE TREATED TIMBER.

NOTE:  
 THE TREATED TIMBER SHALL BUTT TOGETHER AT THE GUARDRAIL POST OR SPLICED AS SHOWN ON THE DETAIL.  
 THE TREATED TIMBER SHALL BE TREATED IN ACCORDANCE TO ARTICLE 1007.12 AND ALL PRESERVATIVES SPECIFIED IN THE ARTICLE WILL BE ALLOWED.  
 THE PRICE FOR EROSION CONTROL CURB SHALL INCLUDE THE U-BOLTS ATTACHING THE TREATED TIMBER TO THE GUARDRAIL POSTS, TREATED TIMBER, AND THE NECESSARY GRADING TO COMPLETE THIS WORK.  
 INCIDENTAL BITUMINOUS SURFACING SHALL BE INCLUDED IN THE UNIT PRICE BID FOR EROSION CONTROL CURB.  
 THE EROSION CONTROL CURB SHALL BE MEASURED AND PAID FOR AT THE CONTRACT UNIT PRICE PER FOOT.

**661-1**

DEC. 2000  
 \DETAILS\600899.DGN  
 661-1

REVISIONS		ILLINOIS DEPARTMENT OF TRANSPORTATION
NAME	DATE	
		<b>EROSION CONTROL CURB</b>

SCALE: VERT.    DRAWN BY  
 DATE:    HORIZ.    CHECKED BY