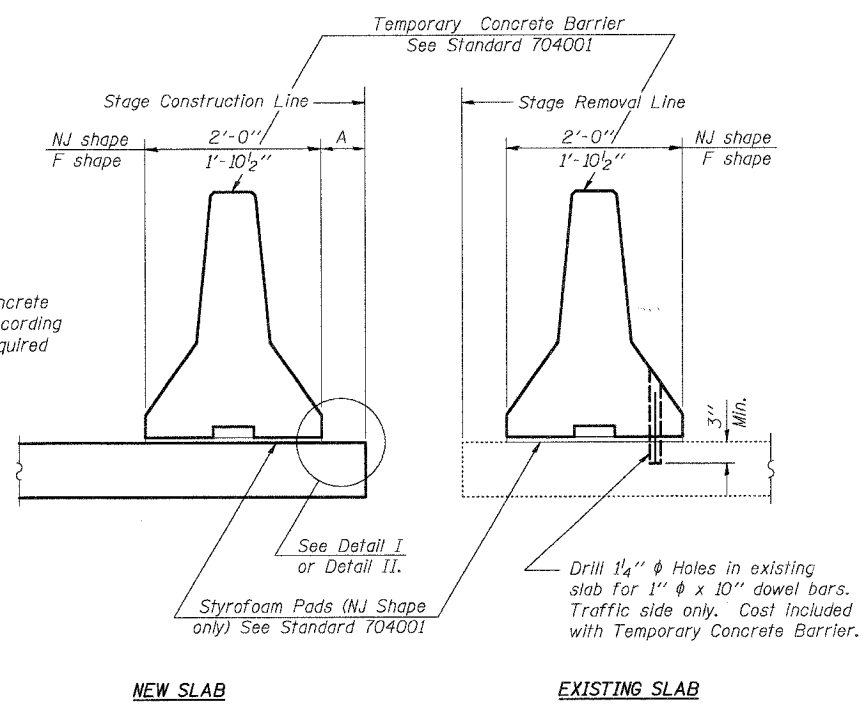


|                       |         |          |                  |           |
|-----------------------|---------|----------|------------------|-----------|
| ROUTE NO.             | SECTION | COUNTY   | TOTAL SHEETS     | SHEET NO. |
| FAP 627               | U-BR    | LA SALLE | 38               | 18        |
| FED. ROAD DIST. NO. 7 |         | ILLINOIS | FED. AID PROJECT |           |

SHEET NO. 3  
12 SHEETS

CONTRACT NO. 66544

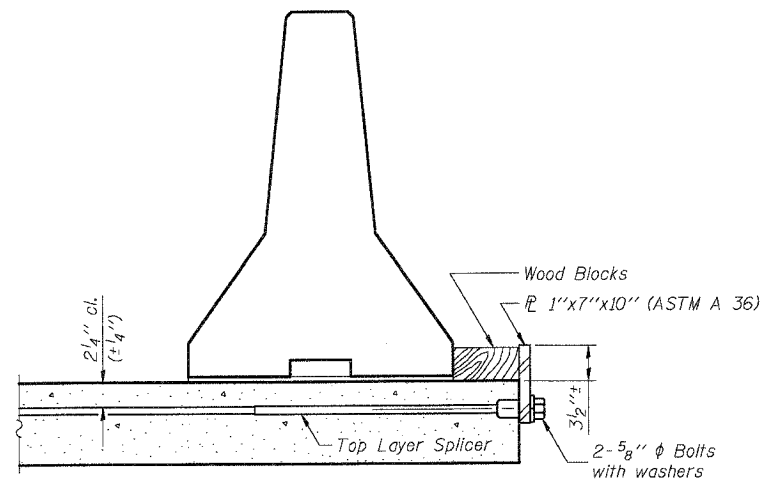


When "A" is 3'-6" or less, the temporary concrete barrier shall be anchored to the new slab according to Detail I or Detail II. No anchorage is required when "A" is greater than 3'-6".

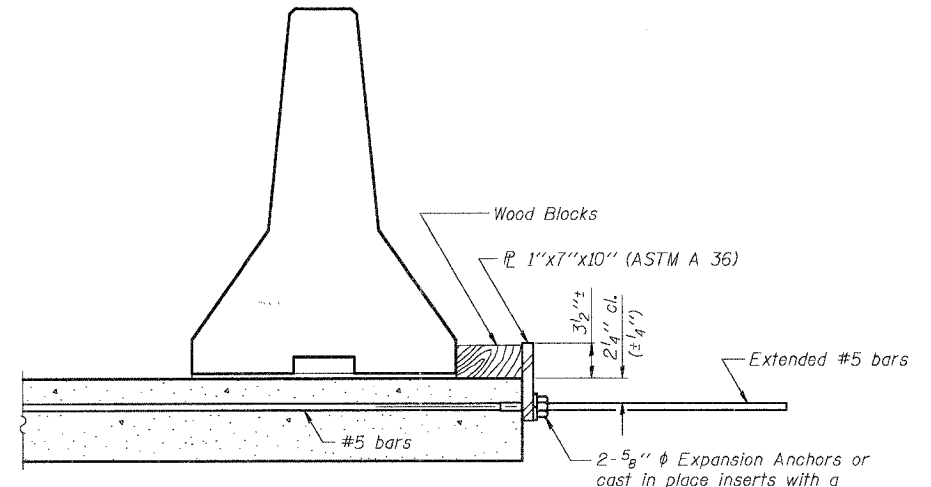
**NOTES**

- Detail I - With Bar Splicer or Couplers:  
Connect one (1) 1"x7"x10" steel PL to the top layer of couplers with 2-5/8" φ bolts screwed to coupler at approximate C of each barrier panel.
  - Detail II - With Extended Reinforcement Bars:  
Connect one (1) 1"x7"x10" steel PL to the concrete slab with 2-5/8" φ Expansion Anchors or cast in place inserts spaced between the top layer of reinforcement at approximate C of each barrier panel.
- Cost of anchorage is included with Temporary Concrete Barrier.

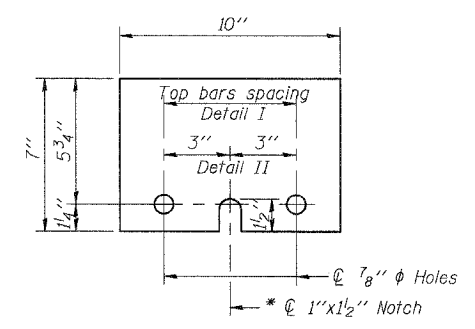
**SECTIONS THRU SLAB**



**DETAIL I**  
The 1"x7"x10" Plate shall not be removed until Stage II Construction forms and reinforcement bars are in place.



**DETAIL II**  
The 1"x7"x10" Plate shall not be removed until Stage II Construction forms and all reinforcement bars are in place and the concrete is ready to be placed.



**1"x7"x10"**  
\* Required only with Detail II

|   |                        |       |                          |
|---|------------------------|-------|--------------------------|
| ILLINOIS DEPARTMENT OF TRANSPORTATION                                       |                        |       |                          |
| SHEET TITLE<br>TEMPORARY CONCRETE BARRIER FOR STAGED CONSTRUCTION           |                        |       |                          |
| PROJECT<br>FAP ROUTE 627 (IL 71) OVER UNNAMED STREAM                        | PROJECT NO.<br>05025-1 | SCALE | DATE<br>12/17/05         |
| SECTION U-BR  |                        |       | DRAWN BY<br>TFG          |
| LA SALLE COUNTY   |                        |       | CHECKED BY<br>KFS/BD/MCB |
| STATION 98+58.9   |                        |       | DRAWING NO.              |
| STRUCTURE NUMBER 050-0243   |                        |       |                          |
| COOMBE-BLOXDORF P.C.<br>Engineers / Land Surveyors<br>Springfield, Illinois |                        |       | 3                        |
| Design Firm License No. 184-002703  |                        |       | OF 12 SHTS               |

05/17/2006  
-303-27.46p