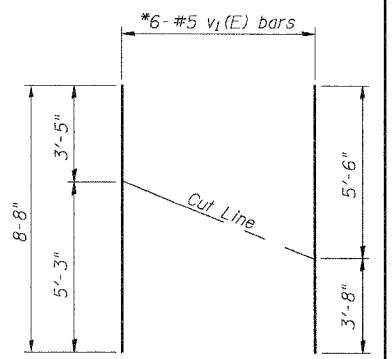
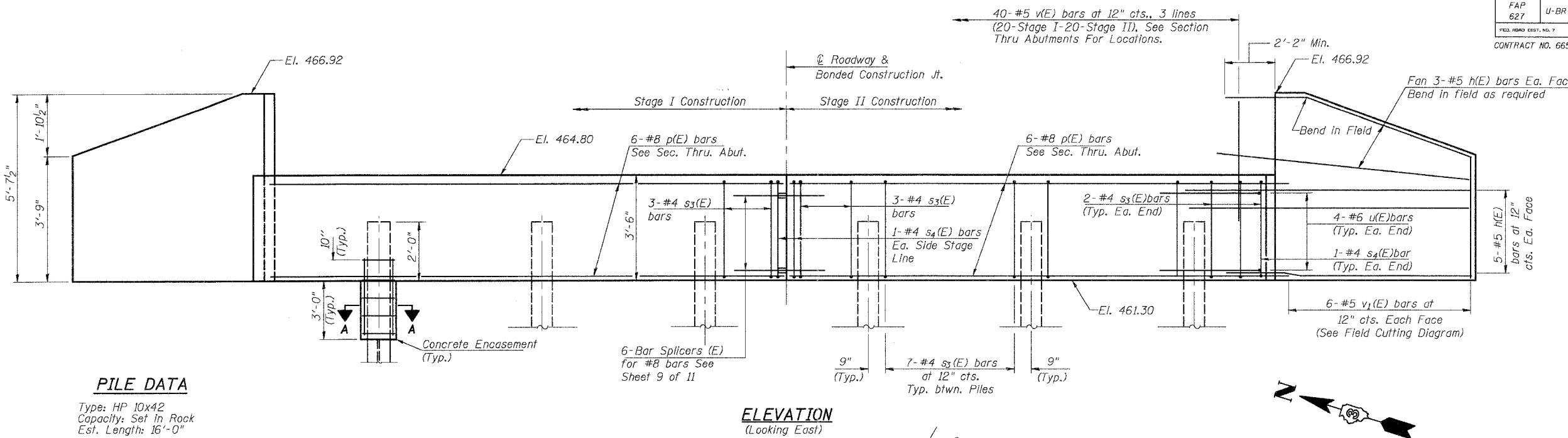
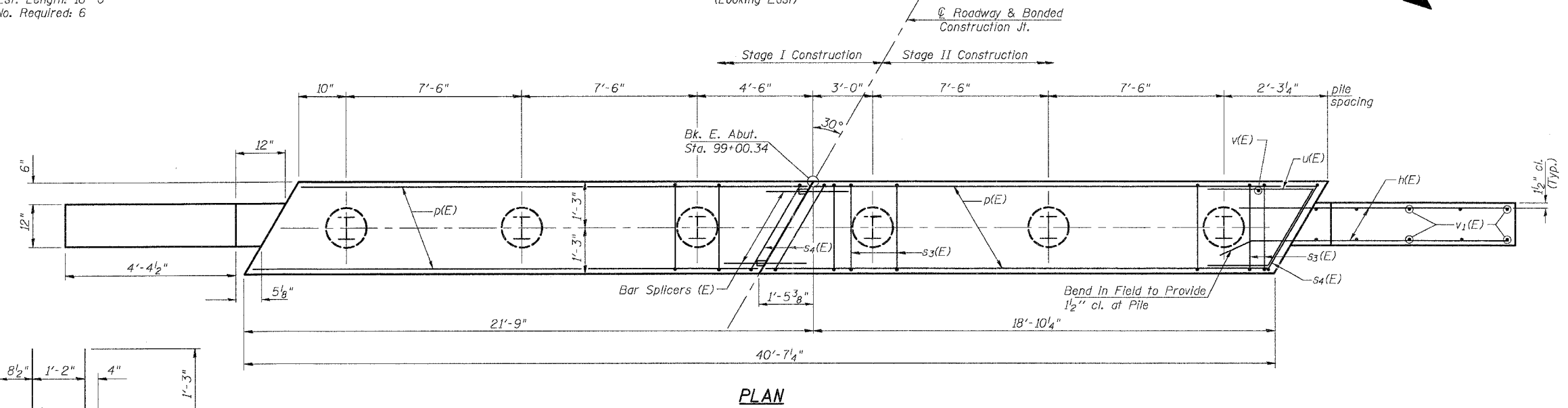


| | | | | | |
|-------------------------|-----------------|--------------------|-------------|------------------|--------------------------|
| ROUTE NO. FAP 627 | SECTION U-BR | COUNTY LA SALLE | SHEET 38 | SHEET NO. 23 | SHEET NO. 8 12 SHEETS |
| FED. ROAD DIST. NO. 7 | | ILLINOIS | | FED. AID PROJECT | |
| CONTRACT NO. 66544 | | | | | |



PILE DATA
 Type: HP 10x42
 Capacity: Set in Rock
 Est. Length: 16'-0"
 No. Required: 6

ELEVATION
(Looking East)



PLAN

FIELD CUTTING DIAGRAM
 *Order v₁(E) full length. Cut as shown and use remainder of bars in opposite face.

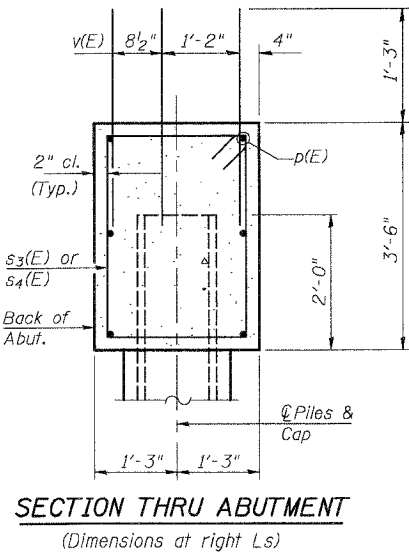
BILL OF MATERIAL

| Bar | No. | Size | Length (ft) | Shape |
|----------------------------------|-----|---------|-------------|-------|
| h(E) | 32 | #5 | 7'-9" | |
| p(E) | 12 | #8 | 19'-11" | |
| s ₃ (E) | 38 | #4 | 11'-7" | |
| s ₄ (E) | 4 | #4 | 12'-3" | |
| u(E) | 8 | #6 | 11'-5" | |
| v(E) | 120 | #5 | 3'-0" | |
| v ₁ (E) | 12 | #5 | 8'-8" | |
| Concrete Structures | | Cu. Yd. | 15.1 | |
| Reinforcement Bars, Epoxy Coated | | Pound | 1850 | |
| Structure Excavation | | Cu. Yd. | 70 | |
| Furnishing Steel | | ft. | 96 | |
| Piles, HP 10 x 42 | | Each | 6 | |
| Setting Piles in Rock | | Each | 6 | |
| Bar Splicers | | Each | 6 | |

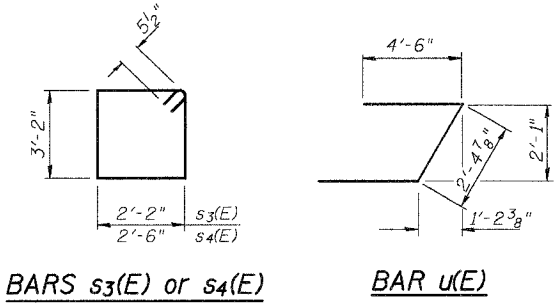
NOTES

Reinforcement bars designated (E) shall be epoxy coated. All edges shall have standard 3/4" chamfers except as noted.
 See sheet 10 of 12 for bar splicer details.
 Piles will be set into 2'-0" diameter holes embedded 5'-0" into rock. See special provisions for Setting Piles in rock.

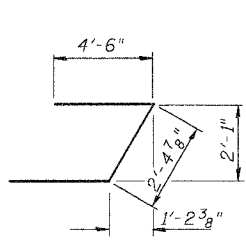
| | |
|--|---------------------------------------|
| ILLINOIS DEPARTMENT OF TRANSPORTATION | |
| SHEET TITLE EAST ABUTMENT | |
| PROJECT FAP ROUTE 627 (IL 71) OVER UNNAMED STREAM | PROJECT NO. 05025-1 |
| SECTION U-BR | SCALE |
| LA SALLE COUNTY | DATE 12/17/05 |
| STATION 98+58.9 | DRAWN BY TFG |
| STRUCTURE NUMBER 050-0243 | CHECKED BY KPS/BD/MCB |
| COOMBE-BLOXDORF P.C. Engineers / Land Surveyors Springfield, Illinois Design Firm License No. 184-002703 | DRAWING NO. 8 OF 12 SHTS |



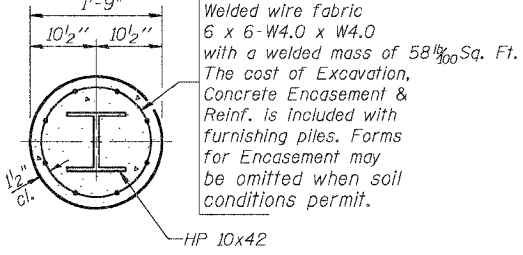
SECTION THRU ABUTMENT
(Dimensions at right Ls)



BARS s₃(E) or s₄(E)



BAR u(E)



SECTION A-A

Welded wire fabric
 6 x 6-W4.0 x W4.0
 with a welded mass of 58^{lb}/₁₀₀Sq. Ft.
 The cost of Excavation,
 Concrete Encasement &
 Reinf. is included with
 furnishing piles. Forms
 for Encasement may
 be omitted when soil
 conditions permit.

05/17/2006
 -S08-5858-abutment.dgn