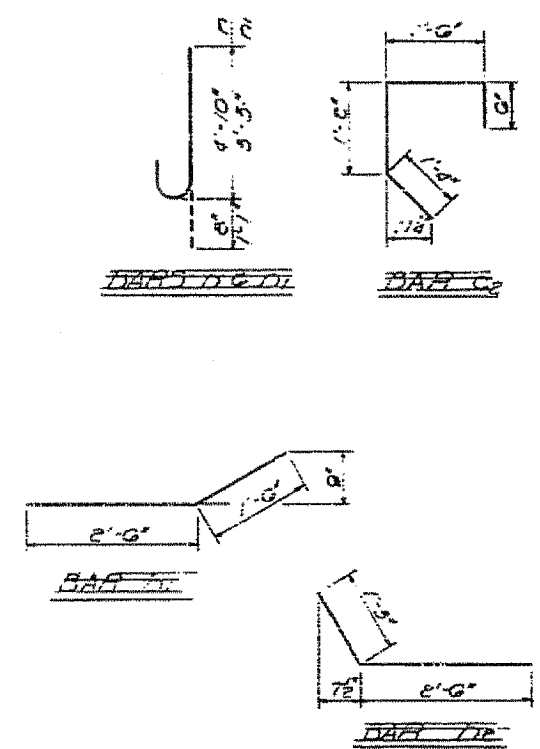
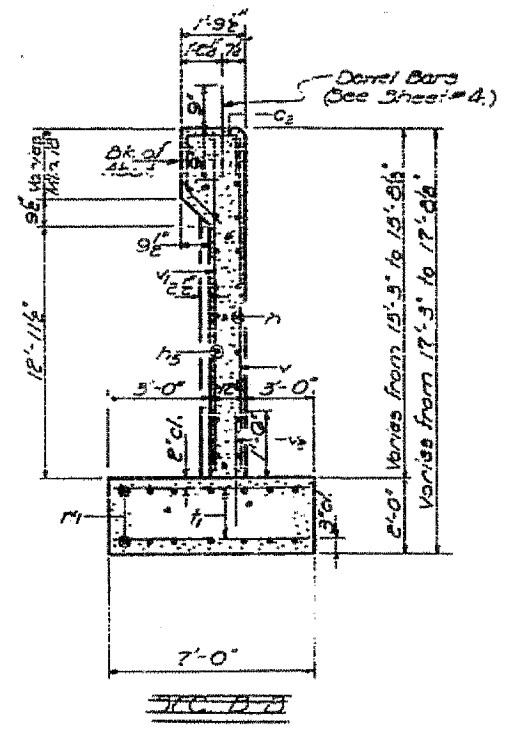
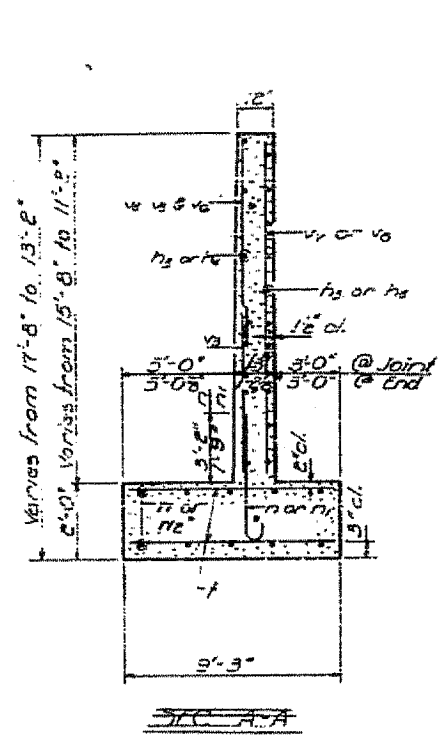


STATE OF ILLINOIS  
 DEPARTMENT OF PUBLIC WORKS & BUILDINGS  
 DIVISION OF HIGHWAYS

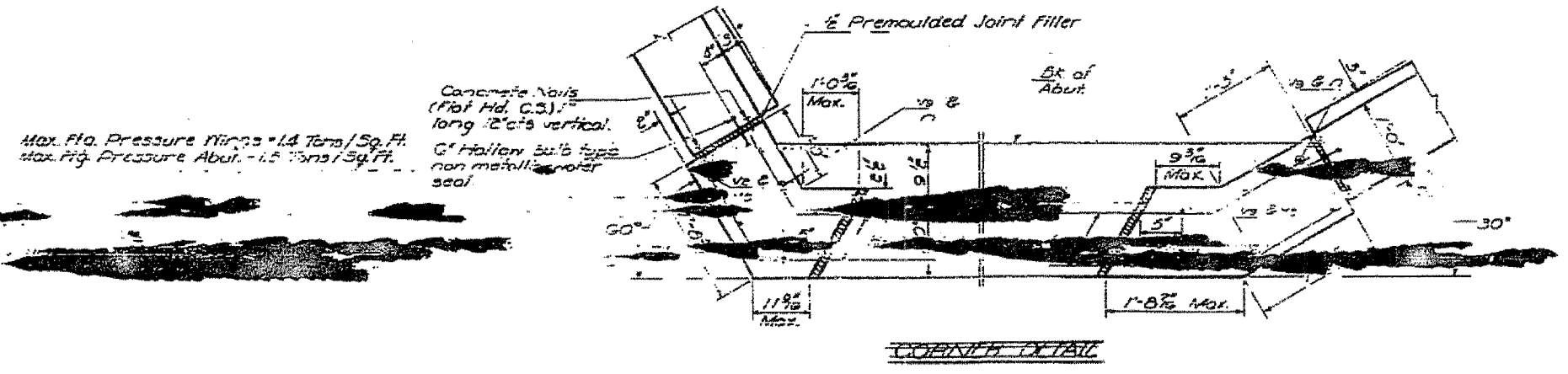
PROJECT NO.	SECTION	SHEET NO.	TOTAL SHEETS
8	U-BR LASALLE	44	26

SHEET NO. 7  
6 SHEETS



LIST OF MATERIALS

Bar	No.	Size	Length	Shape
h	64	#6	23'-0"	—
h1	64	#6	4'-0"	—
h2	64	#6	5'-9"	—
h3	44	#4	3'-3"	—
h4	44	#4	3'-0"	—
h5	64	#4	25'-0"	—
n	72	#6	5'-5"	—
n1	36	#6	4'-0"	—
f	192	#7	9'-0"	—
f1	228	#5	6'-9"	—
v	200	#7	15'-0"	—
v1	28	#4	15'-0"	—
v2	112	#7	3'-0"	—
v3	50	#7	5'-0"	—
v4	18	#5	11'-0"	—
v5	18	#5	9'-3"	—
v6	60	#5	7'-9"	—
v7	10	#4	13'-0"	—
v8	10	#4	15'-9"	—
v9	24	#7	15'-0"	—
c2	100	#4	4'-6"	—
n	28	#5	3'-6"	—
n1	56	#5	29'-0"	—
h2	28	#5	21'-0"	—
Class 1 Concrete				Co. Hds. 208, A
Reinforcement Bars				Co. 24270



Max. Fla. Pressure Nbrns = 14 Tons/Sq. Ft.  
 Max. Fla. Pressure Abut. = 15 Tons/Sq. Ft.

Concrete Nails  
 (Flat Hd. C.S.)  
 long 12" or vertical.  
 C' Hollow bulb type  
 non metallic roller  
 seal

DESIGNED George Filozzi  
 CHECKED Steve T. Desai  
 DRAWN JCHNELLER  
 CHECKED SZ

EXAMINED [Signature]  
 PASSED  
 APPROVED

FOR INFORMATION ONLY

APPROVED FOR THE  
STATE OF ILLINOIS  
BY [Signature]  
DATE [Date]