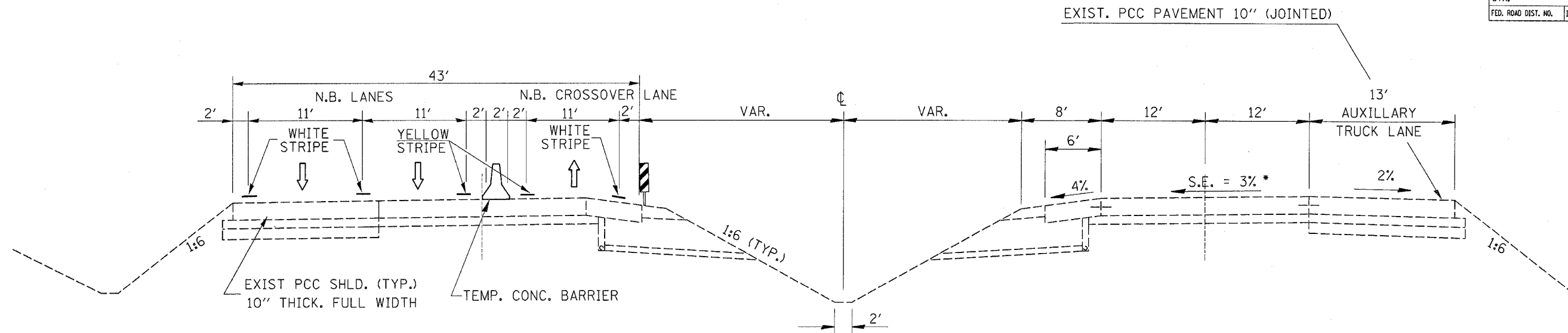
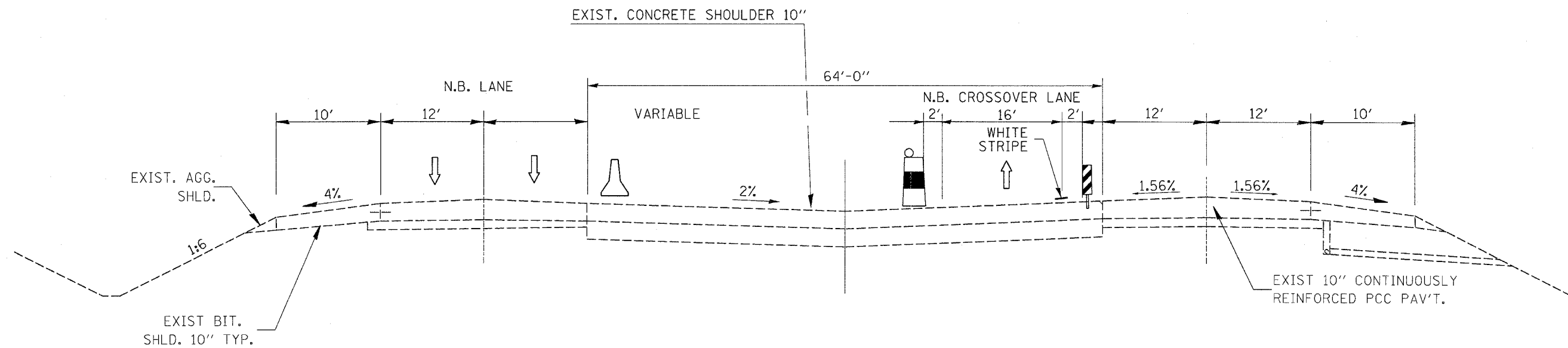


F.A.I. RTE.	SECTION	COUNTY	TOTAL SHEETS	SHEET NO.
39	150-4B1BR	LASALLE	365	7
STA.		TO STA.		
FED. ROAD DIST. NO.		ILLINOIS FED. AID PROJECT		



TYPICAL SECTION

SOUTH CROSSOVER / STAGE II
STA. ±792+50 TO STA. ±806+00



TYPICAL SECTION

STAGE II
SOUTHBOUND CROSSOVER STA 784+00

PLOT DATE = 9/1/2006
 FILE NAME = #FILEL#
 PLOT SCALE = #SCALE#
 USER NAME = #USER#

REVISIONS	
NAME	DATE

ILLINOIS DEPARTMENT OF TRANSPORTATION

STAGE II TYPICAL SECTIONS SOUTH CROSSOVER

SCALE: VERT.
HORIZ.

DRAWN BY
CHECKED BY