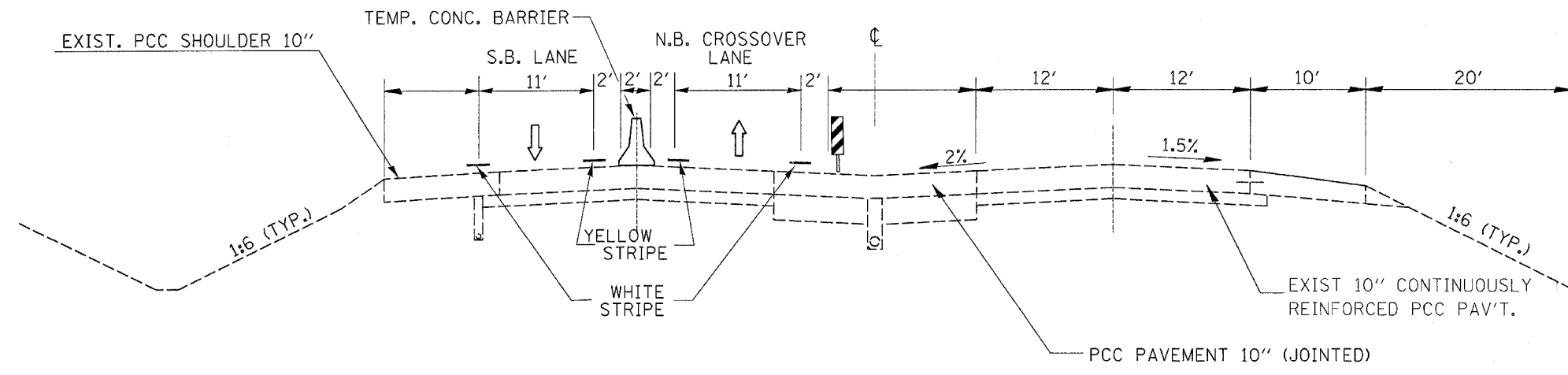
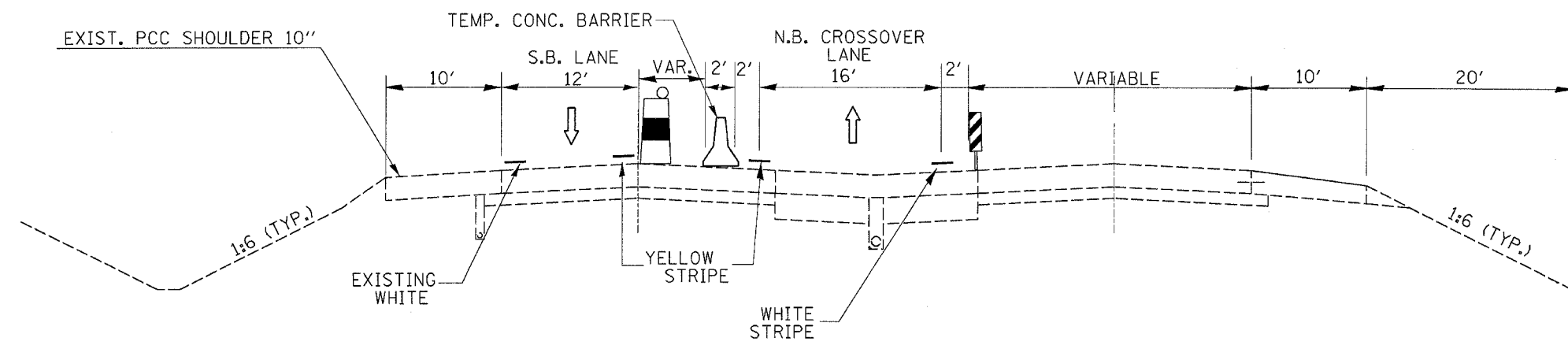


F.A.I. RTE.	SECTION	COUNTY	TOTAL SHEETS	SHEET NO.
39	(50-4B)BR	LASALLE	385	8
STA.	TO STA.			
FED. ROAD DIST. NO.	ILLINOIS	FED. AID PROJECT		



TYPICAL SECTION

NORTH CROSSOVER / STAGE II
STA. ±879+50 TO STA. ±886+50



TYPICAL SECTION

NORTH CROSSOVER / STAGE II
STA. ±888+50

PLOT DATE = 9/1/2006
FILE NAME = #FILE#
PLOT SCALE = #SCALE#
USER NAME = #USER#

REVISIONS	
NAME	DATE

ILLINOIS DEPARTMENT OF TRANSPORTATION

STAGE II TYPICAL SECTIONS NORTH CROSSOVER

SCALE: VERT.
DATE

DRAWN BY
CHECKED BY