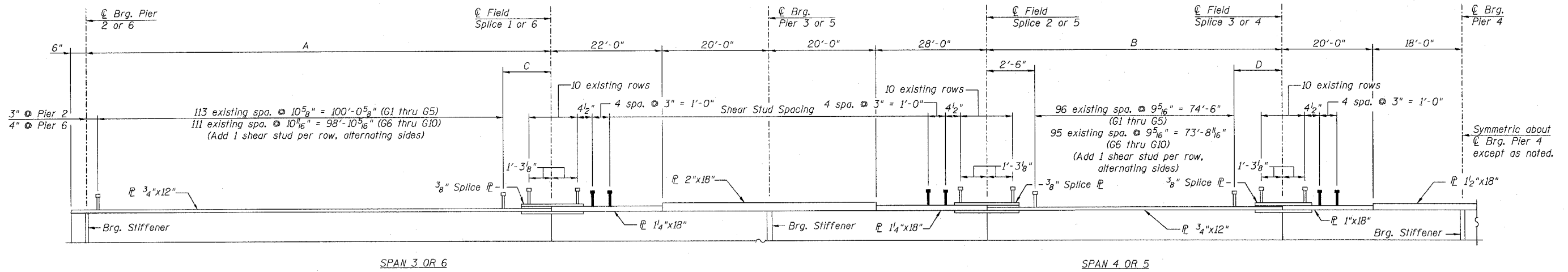


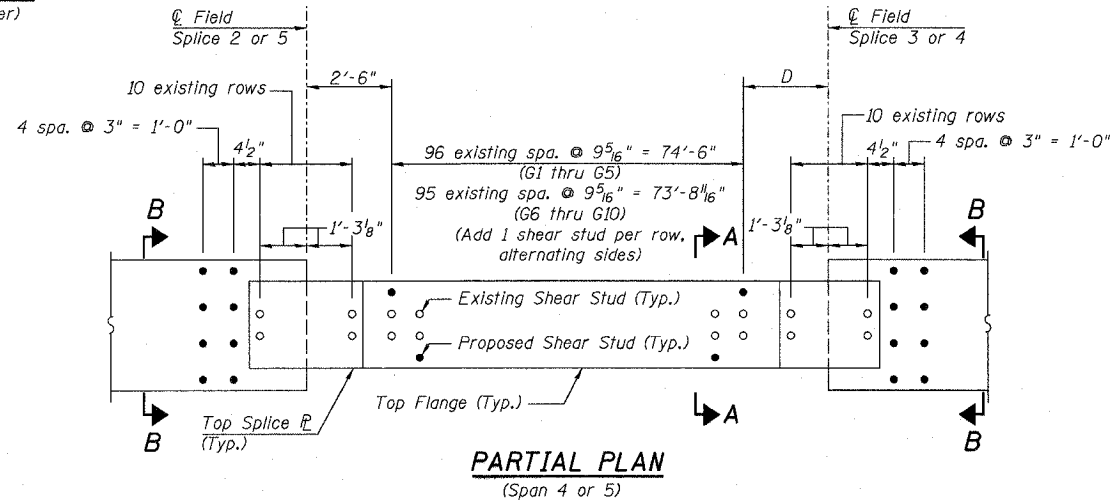
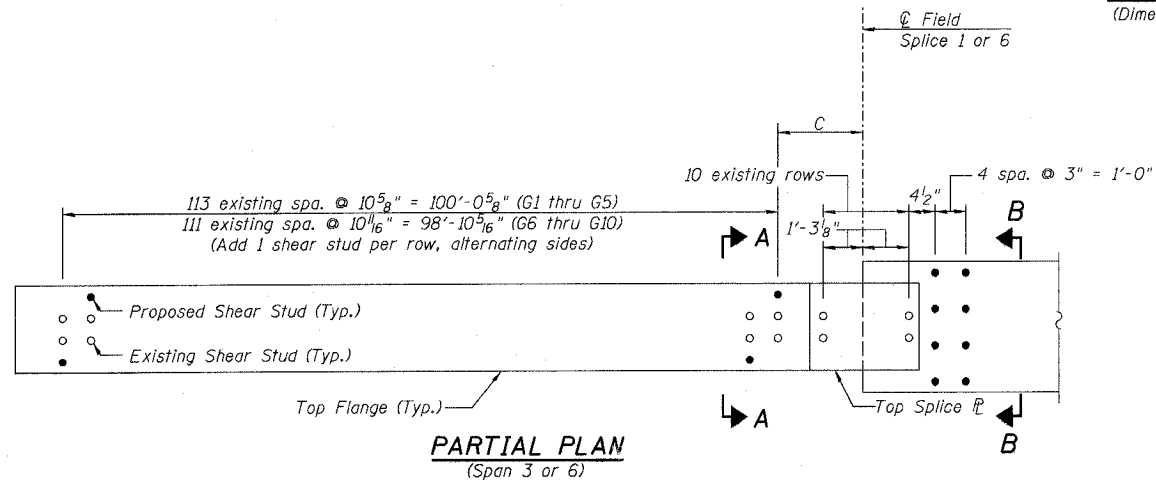
STATE OF ILLINOIS
DEPARTMENT OF TRANSPORTATION

ROUTE NO.	SECTION	COUNTY	TOTAL SHEETS	SHEET NO.
F.A.I. 39	50-4B	LASALLE	204	181
FED. ROAD DIST. NO. 7		ILLINOIS	FED. AID PROJECT	313 SHEETS

Contract # 66586

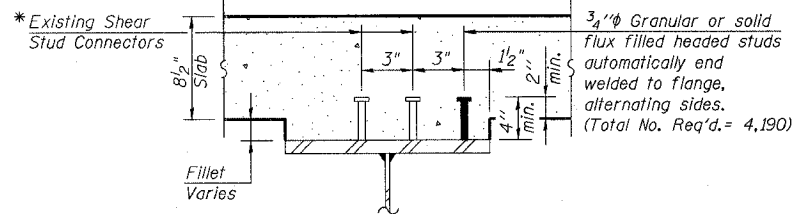


GIRDER ELEVATION
(Dimensions along C/Girder)



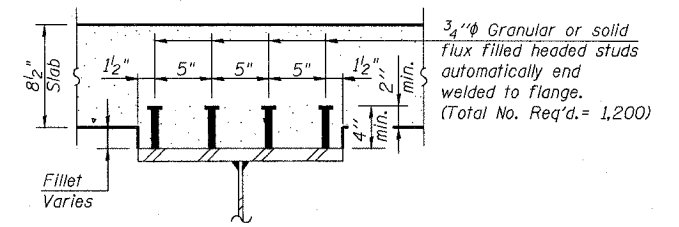
GIRDER VARIABLES

Girder	Spans 3 & 4				Spans 5 & 6			
	A	B	C	D	A	B	C	D
G1	102'-11 7/8"	80'-0"	2'-8 1/4"	3'-0"	102'-10 7/8"	79'-11 5/8"	2'-6 1/4"	2'-11 5/8"
G2	102'-9 3/4"	79'-9 5/8"	2'-6 1/8"	2'-9 5/8"	102'-8 13/16"	79'-9 1/4"	2'-4 3/16"	2'-9 1/4"
G3	102'-7 5/8"	79'-7 3/16"	2'-4"	2'-7 3/16"	102'-6 1/16"	79'-6 3/16"	2'-2 1/16"	2'-6 13/16"
G4	102'-5 9/16"	79'-4 13/16"	2'-1 5/16"	2'-4 13/16"	102'-4 9/16"	79'-4 7/16"	1'-11 5/16"	2'-4 7/16"
G5	102'-3 7/16"	79'-2 7/16"	1'-11 3/16"	2'-2 7/16"	102'-2 1/2"	79'-2 1/16"	1'-9 7/8"	2'-2 1/16"
G6	101'-10 3/16"	78'-9 9/16"	2'-9 1/4"	2'-6 7/8"	101'-11 1/2"	78'-9 5/16"	2'-9 3/16"	2'-7 1/4"
G7	101'-8 1/16"	78'-7 3/16"	2'-7 1/8"	2'-4 1/2"	101'-9 7/16"	78'-7 9/16"	2'-7 1/8"	2'-4 7/8"
G8	101'-6 3/8"	78'-4 13/16"	2'-5 1/16"	2'-2 1/8"	101'-7 5/16"	78'-5 3/16"	2'-5"	2'-2 1/2"
G9	101'-4 1/4"	78'-2 3/8"	2'-2 5/16"	1'-11 1/16"	101'-5 3/16"	78'-2 3/4"	2'-2 1/8"	2'-0 1/16"
G10	101'-2 1/8"	78'-0"	2'-0 13/16"	1'-9 5/16"	101'-3 1/8"	78'-0 3/8"	2'-0 13/16"	1'-9 1/16"



SECTION A-A

* Fillet reinforcement will be required if existing studs do not meet the minimum projection into proposed deck. See detail on sheet 168.



SECTION B-B

SHEAR STUDS - SPANS 3 THRU 6
ABRAHAM LINCOLN MEMORIAL BRIDGE OVER
THE ILLINOIS RIVER (PUBLIC WATERS)
F.A.I. ROUTE 39 SEC. (50-4B) BR
LASALLE COUNTY
STATION 863+16.00
STRUCTURE NO. 050-0191 (SB & NB)

DESIGNED	KWS
CHECKED	MRB
DRAWN	JGY
CHECKED	MTH

LIN ENGINEERING, LTD.
210 W. Chestnut
Chattanooga, Illinois 62629
(217) 483-4168
FAX (217) 483-4706

benesch
alfred benesch & company
Engineers - Surveyors - Planners
208 North Michigan Avenue, Suite 2400
Chicago, Illinois 60601
312-565-0450
Job # 3856

x:\3800s\3856\structures\abe lincoln memorial\final\plans\Studs_3 thru 6.sht

9:04:28 AM

8/30/2006