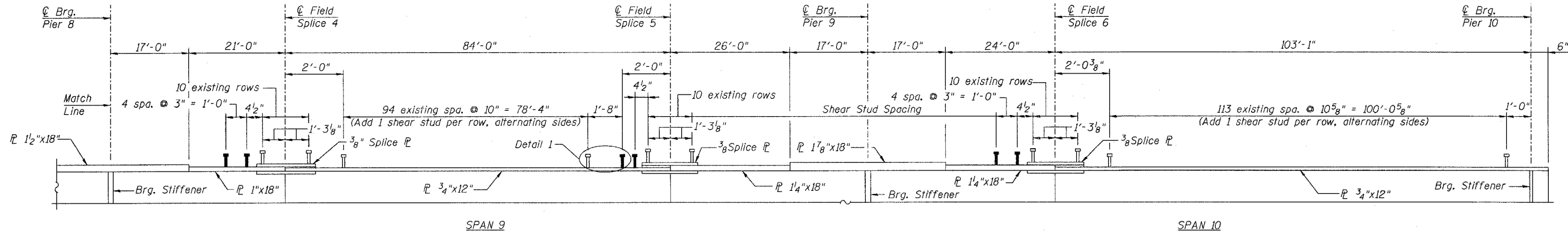
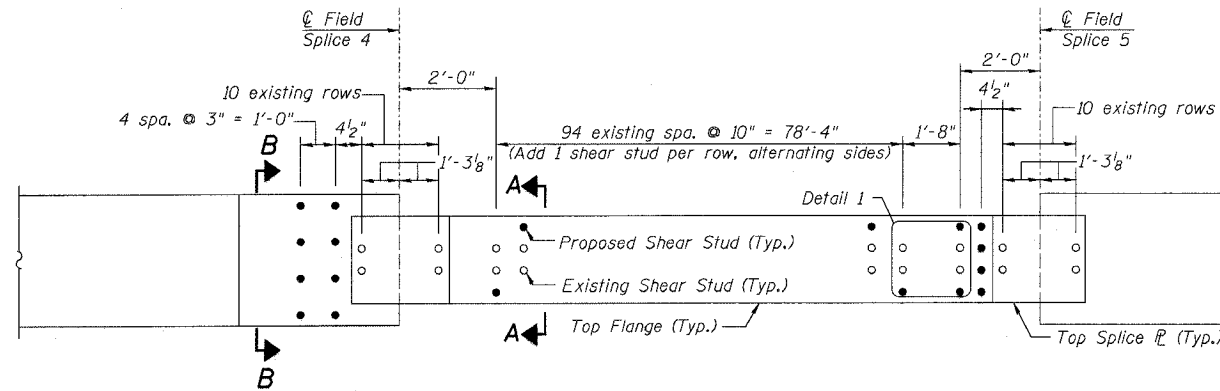


STATE OF ILLINOIS
DEPARTMENT OF TRANSPORTATION

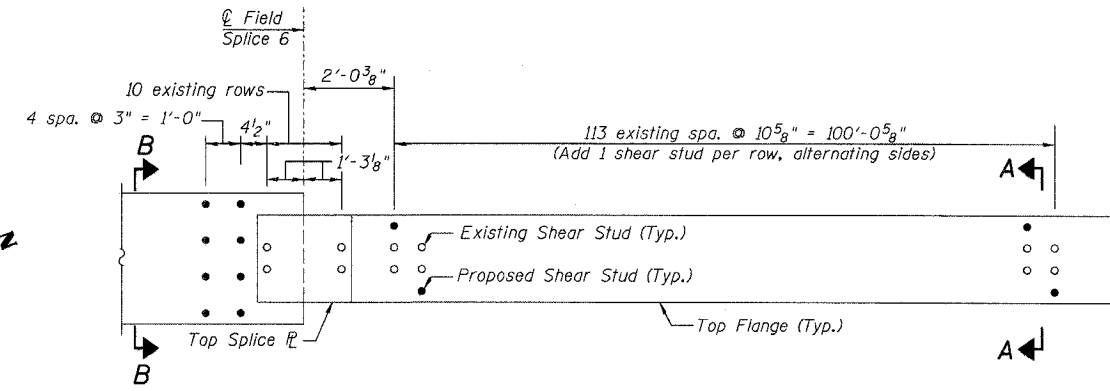
ROUTE NO.	SECTION	COUNTY	SHEET NO.	SHEET	SHEET NO. 185 313 SHEETS
F.A.I. 39	50-4B	LASALLE		208	
FED. ROAD DIST. NO. 7	ILLINOIS	FED. AID PROJECT	Contract # 66586		



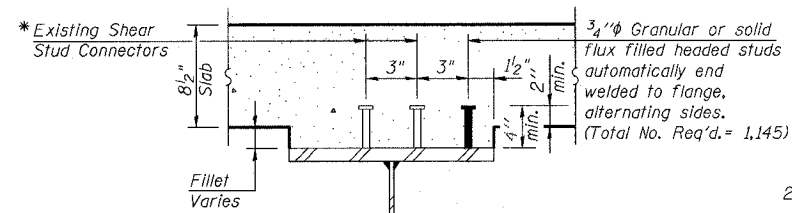
GIRDER ELEVATION
(Dimensions along \bar{C} Girder)



PARTIAL PLAN
(Span 9)

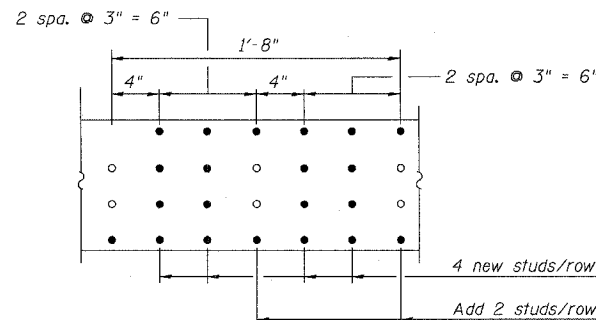


PARTIAL PLAN
(Span 10)

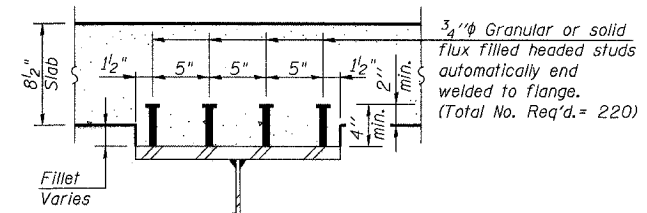


SECTION A-A

* Fillet reinforcement will be required if existing studs do not meet the minimum projection into proposed deck. See detail on sheet 168.



DETAIL 1



SECTION B-B

SHEAR STUDS - SPANS 9 & 10 NB
ABRAHAM LINCOLN MEMORIAL BRIDGE OVER
THE ILLINOIS RIVER (PUBLIC WATERS)
F.A.I. ROUTE 39 SEC. (50-4B) BR
LASALLE COUNTY
STATION 863+16.00
STRUCTURE NO. 050-0191 (SB & NB)

LIN ENGINEERING, LTD.
210 W. Chestnut
Chatham, Illinois 62629
(217) 483-4168
FAX (217) 483-4706

benesch
alfred benesch & company
Engineers • Surveyors • Planners
205 North Michigan Avenue, Suite 2400
Chicago, Illinois 60601
312-585-0450
Job # 3856

DESIGNED -	KWS
CHECKED -	MRB
DRAWN -	JGY
CHECKED -	MTH

8/30/2006 9:04:37 AM x:\3800s\3856\structures\dbe\lincoln\memorial\final\plans\studs.9&10NB.sht