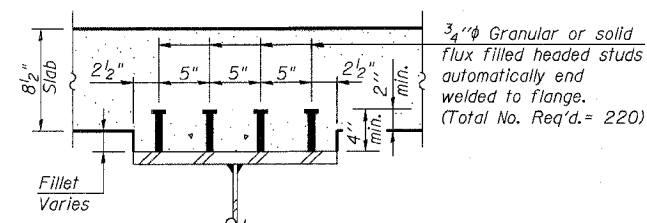
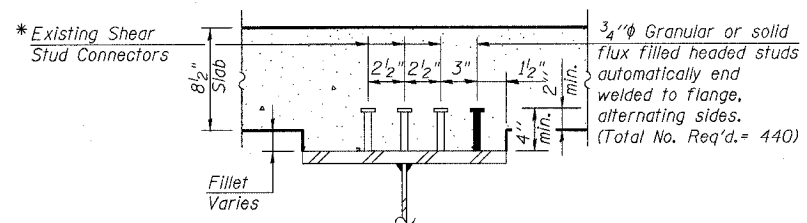
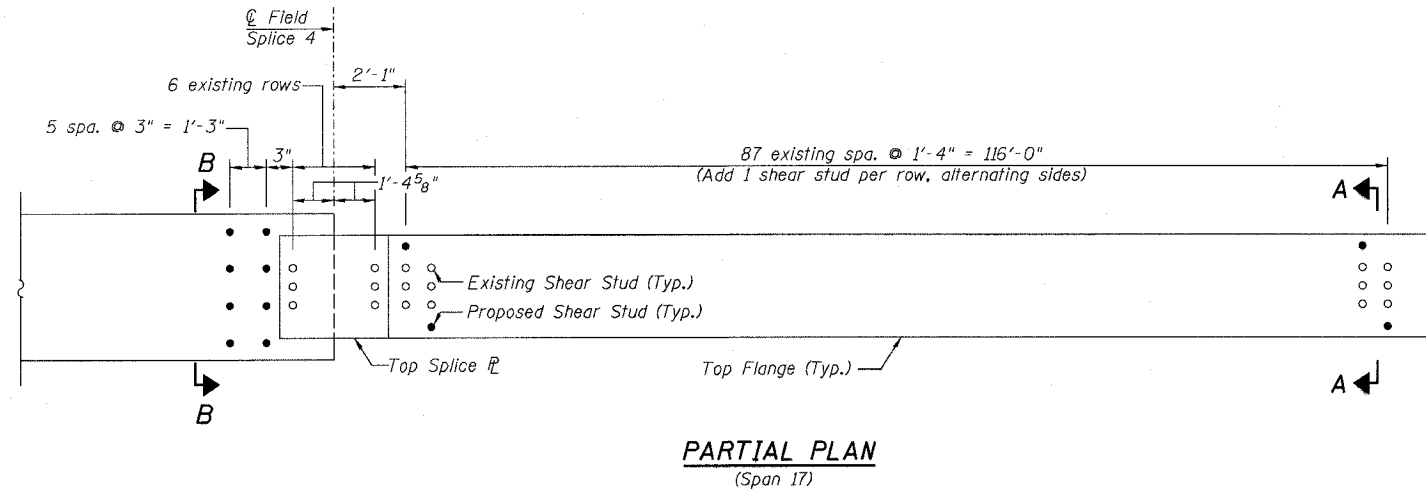
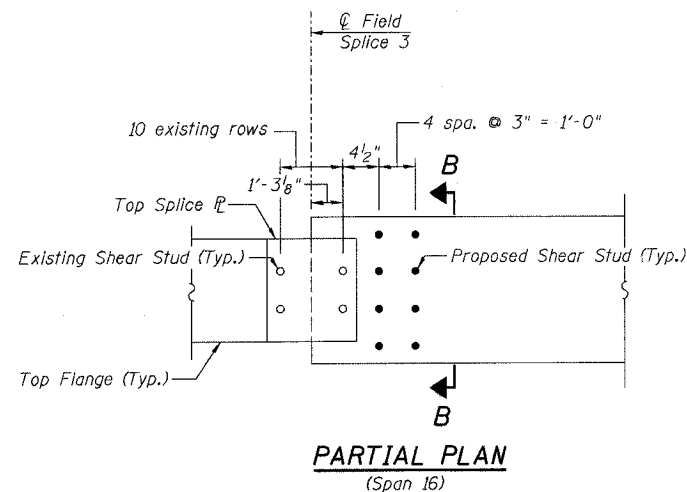
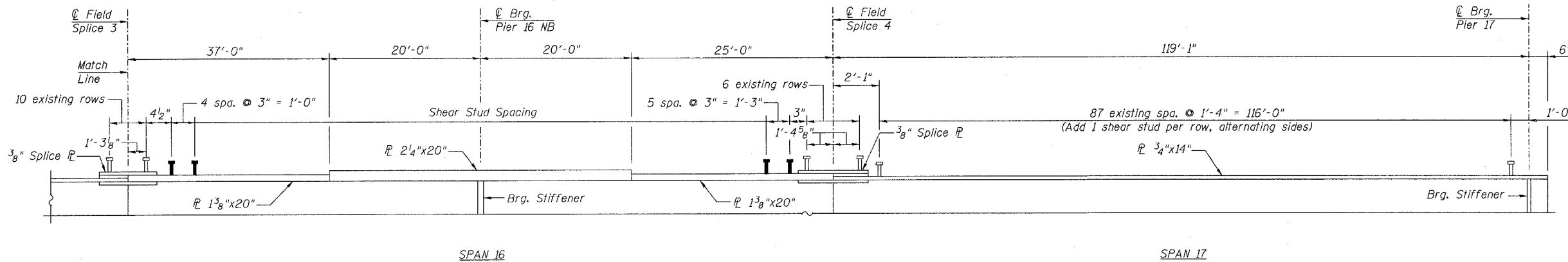


STATE OF ILLINOIS
DEPARTMENT OF TRANSPORTATION

ROUTE NO.	SECTION	COUNTY	SHEET	SHEET	SHEET NO. 190 313 SHEETS
F.A.I. 39	50-4B	LASALLE	23		
FED. ROAD DIST. NO. 7	ILLINOIS	FED. AID PROJECT			

Contract # 66586



* Fillet reinforcement will be required if existing studs do not meet the minimum projection into proposed deck. See detail on sheet 168.

SHEAR STUDS - SPANS 16 & 17 NB
ABRAHAM LINCOLN MEMORIAL BRIDGE OVER
THE ILLINOIS RIVER (PUBLIC WATERS)
F.A.I. ROUTE 39 SEC. (50-4B) BR
LASALLE COUNTY
STATION 863+16.00
STRUCTURE NO. 050-0191 (SB & NB)

DESIGNED -	KWS
CHECKED -	MRB
DRAWN -	JGY
CHECKED -	MTH

LIN ENGINEERING, LTD.
210 W. Chestnut
Chattman, Illinois 62629
(217) 483-4168
FAX (217) 483-4106

benesch
alfred benesch & company
Engineers • Surveyors • Planners
205 North Michigan Avenue, Suite 2400
Chicago, Illinois 60601
312-565-0450
Job # 3856

x:\38006\3856\structures\abe lincoln memorial\final\plans\Studs.16&17NB.snt

9:04:47 AM

8/30/2006