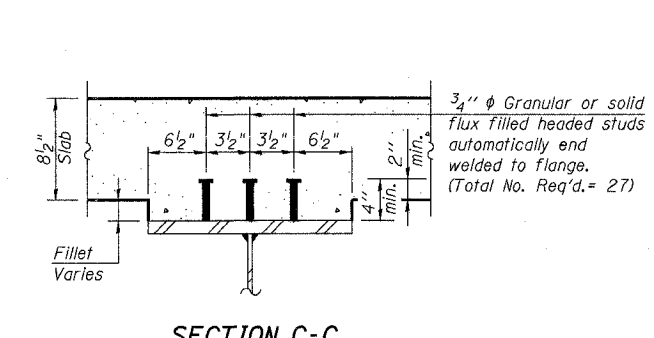
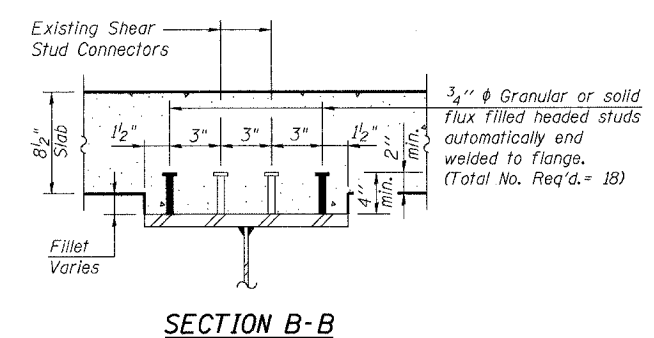
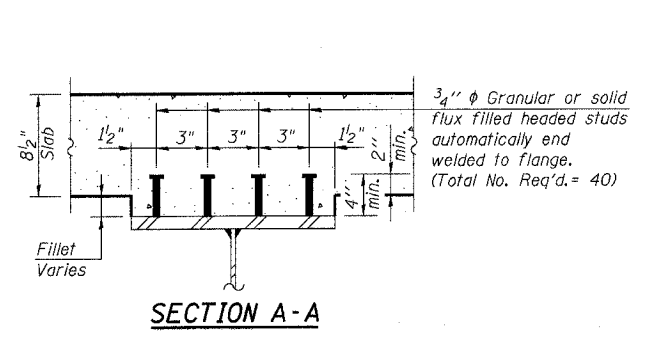
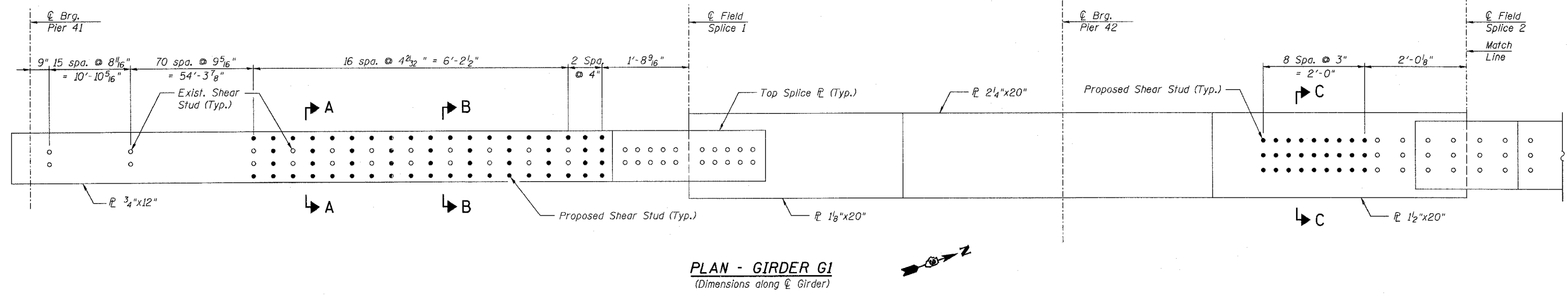
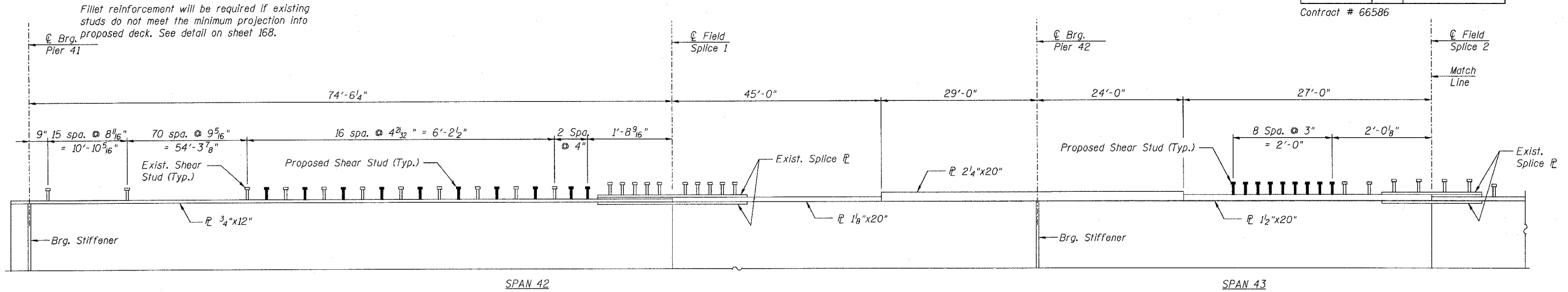


STATE OF ILLINOIS
DEPARTMENT OF TRANSPORTATION

ROUTE NO. F.A.I. 39	SECTION 50-4B	COUNTY LASALLE	SHEET 219	SHEET NO. 196 313 SHEETS
FED. ROAD DIST. NO. 7		ILLINOIS FED. AID PROJECT		

Contract # 66586



* Fillet reinforcement will be required if existing studs do not meet the minimum projection into proposed deck. See detail on sheet 168.

DESIGNED	KWS
CHECKED	MRB
DRAWN	JGY
CHECKED	MTH

LIN ENGINEERING, LTD.
210 W. Chestnut
Chatham, Illinois 62629
(217) 483-4168
FAX (217) 483-4106

benesch
alfred benesch & company
Engineers - Surveyors - Planners
205 North Michigan Avenue, Suite 2400
Chicago, Illinois 60601
312-565-0450
Job # 3856

SHEAR STUDS - SPANS 42 & 43 SB
ABRAHAM LINCOLN MEMORIAL BRIDGE OVER
THE ILLINOIS RIVER (PUBLIC WATERS)
F.A.I. ROUTE 39 SEC. (50-4B) BR
LASALLE COUNTY
STATION 863+16.00
STRUCTURE NO. 050-0191 (SB & NB)

8/30/2006 9:05:01 AM x:\3800s\3856\structures\abe lincoln memorial\final\plans\Studs_42&43SBG1.sht