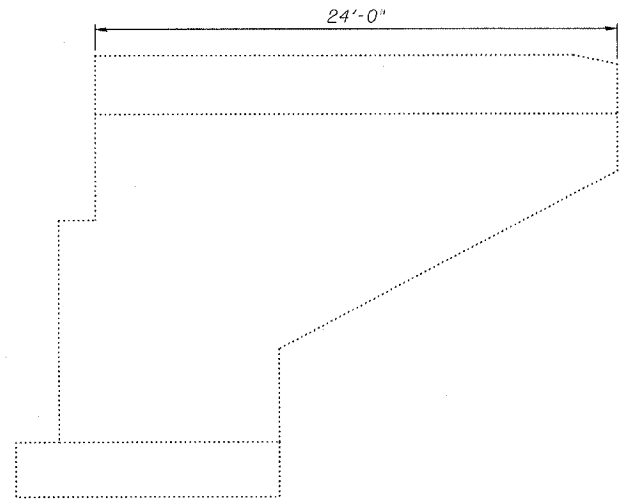
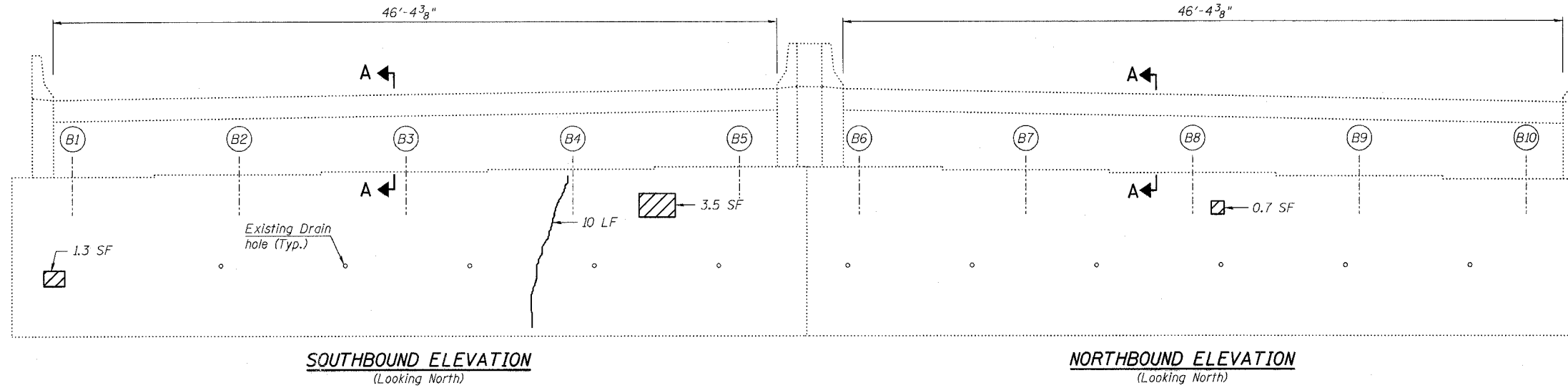


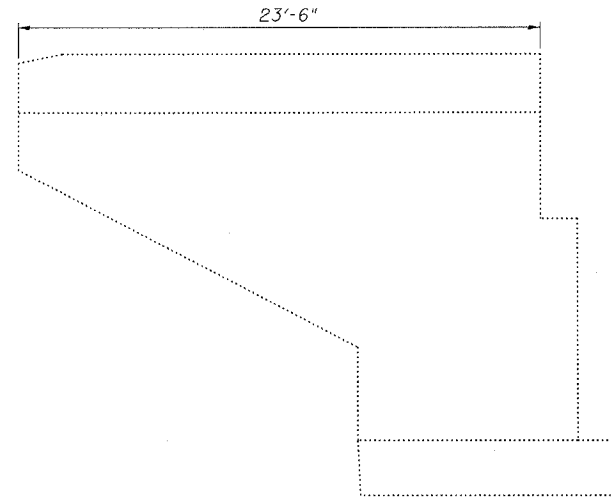
STATE OF ILLINOIS
DEPARTMENT OF TRANSPORTATION

ROUTE NO.	SECTION	COUNTY	TOTAL SHEETS	SHEET NO.	SHEET NO. 221 313 SHEETS
F.A.I. 39	50-4B	LASALLE		246	
FED. ROAD DIST. NO. 7	ILLINOIS	FED. AID PROJECT			

Contract # 66586



NORTHEAST WINGWALL



NORTHWEST WINGWALL

NOTE:

The quantities shown are for estimating purposes only. The area to be repaired will be determined by the Engineer at the time of construction. Actual repair locations shall be shown on the as-built plans.

LEGEND

- Structural Repair of Concrete (Depth equal to or less than 5")
- Epoxy Crack Sealing (Cracks ≥ 1/16" Wide)
- SF Square Feet
- LF Linear Feet

BILL OF MATERIAL

ITEM	UNIT	QUANTITY
Structural Repair of Concrete (Depth equal to or less than 5")	SF	5.5
Epoxy Crack Sealing	LF	10

DESIGNED	JGY
CHECKED	MTH
DRAWN	ADB
CHECKED	MTH

LIN ENGINEERING, LTD.
210 W. Chestnut
Charlton, Illinois 62629
(217) 483-4168
FAX (217) 483-4106

benesch
alfred benesch & company
Engineers • Surveyors • Planners
205 North Michigan Avenue, Suite 2400
Chicago, Illinois 60601
312-865-0450
Job # 3856

**CONCRETE REPAIR - NORTH ABUTMENT
ABRAHAM LINCOLN MEMORIAL BRIDGE OVER
THE ILLINOIS RIVER (PUBLIC WATERS)
F.A.I. ROUTE 39 SEC. (50-4B) BR
LASALLE COUNTY
STATION 863+16.00
STRUCTURE NO. 050-0191 (SB & NB)**

x:\3800s\3856\structures\abe lincoln memorial\final\plans\From Lin\Abutment Repair & Removal\Northabutment.sht

10:07:19 AM

8/30/2006