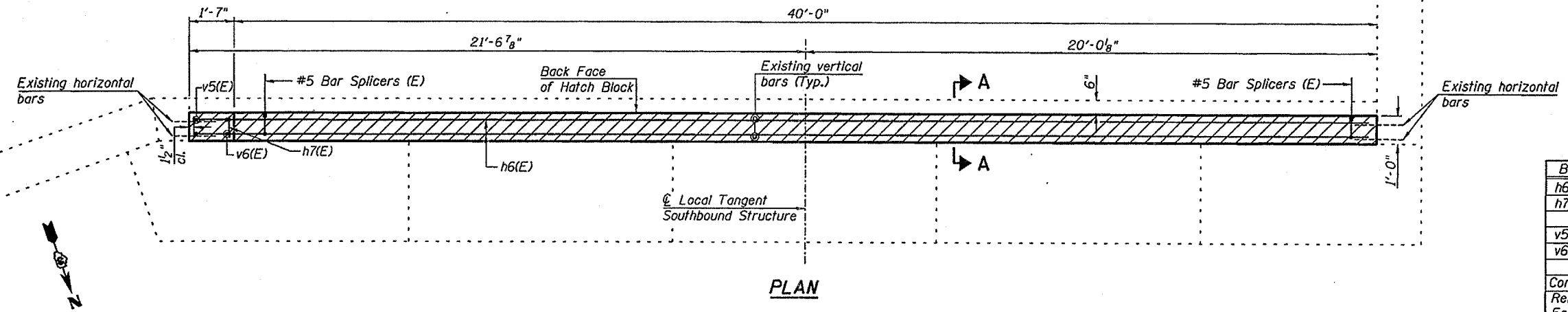


STATE OF ILLINOIS  
DEPARTMENT OF TRANSPORTATION

ROUTE NO.	SECTION	COUNTY	TOTAL SHEETS	SHEET NO.
F.A.I. 39	50-4B	LASALLE	246 A	222
FED. ROAD DIST. NO. 7	ILLINOIS	FED. AID PROJECT		

Contract # 66586

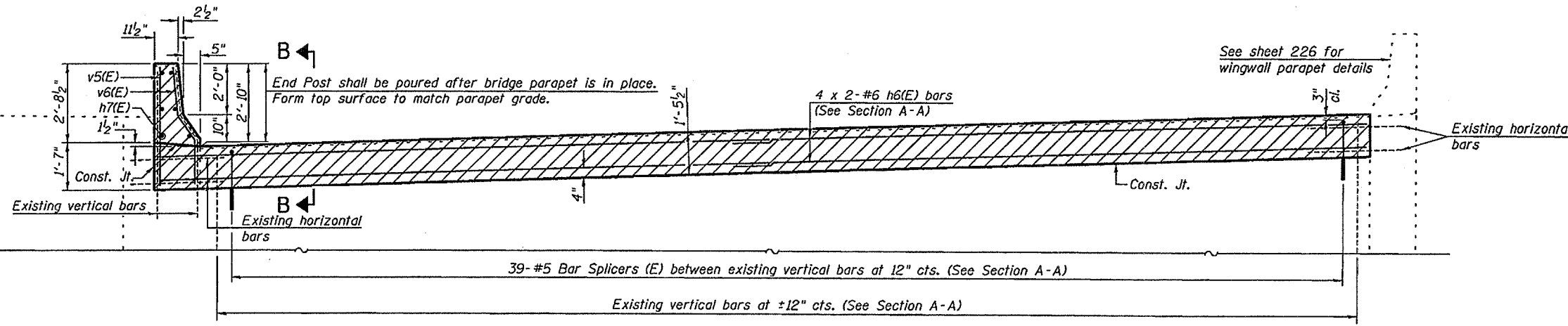


PLAN

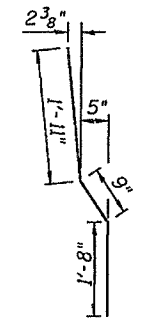
ABUTMENT  
BILL OF MATERIAL

Bar	No.	Size	Length	Shape
h6(E)	8	#6	22'-0"	—
h7(E)	6	#4	0'-10"	—
v5(E)	2	#4	4'-0"	—
v6(E)	2	#5	4'-4"	—
Concrete Superstructure			Cu. Yd.	4.7
Reinforcement Bars, Epoxy Coated			Pound	290

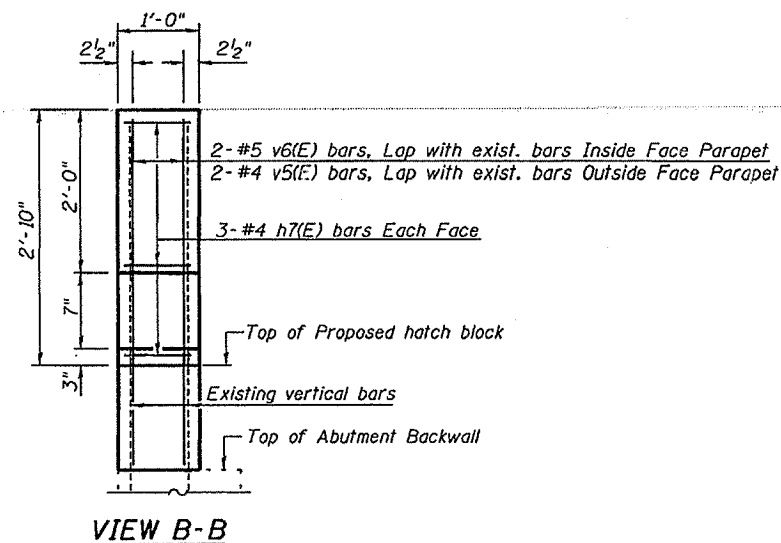
Reinforcement Bars designated (E) shall be epoxy coated.



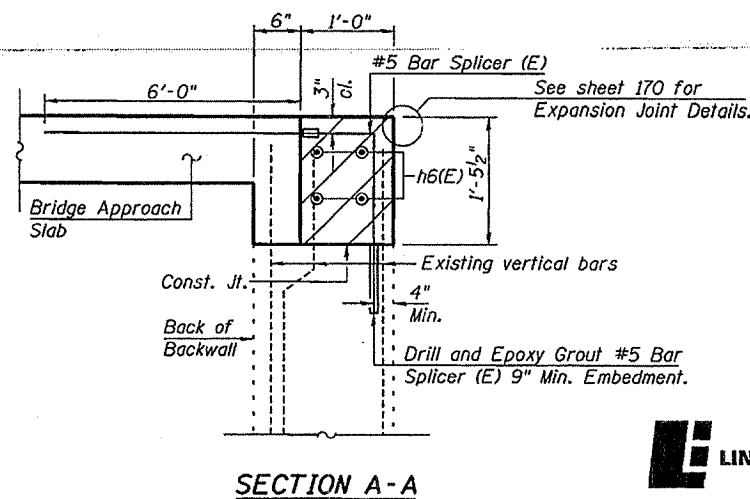
ELEVATION  
(Looking South)



BAR v6(E)



VIEW B-B



SECTION A-A

NOTES:

- Existing reinforcement shall be cleaned, straightened and incorporated into the new concrete, in accordance with IDOT Standard Specifications Article 501.03. Cost included in "Concrete Removal".
- See Sheet 217 for bar splicer details.
- Hatched area to be poured after superstructure false work has been removed.
- Bars indicated thus 4 x 2-#6 etc. indicates 4 lines of bars with 2 lengths per line.

MIN. BAR LAP

#6 = 2'-7"

DESIGNED	ADB
CHECKED	STD
DRAWN	ADB
CHECKED	MTH

**LIN ENGINEERING, LTD.**  
210 W. Chestnut  
Chatham, Illinois 62629  
(217) 483-4168  
FAX (217) 483-4706

**benesch**  
alfred benesch & company  
Engineers • Surveyors • Planners  
205 North Michigan Avenue, Suite 2400  
Chicago, Illinois 60601  
312-585-0450  
Job # 3858

BACKWALL REHAB. - SOUTH ABUT. (SB)  
ABRAHAM LINCOLN MEMORIAL BRIDGE OVER  
THE ILLINOIS RIVER (PUBLIC WATERS)  
F.A.I. ROUTE 39 SEC. (50-4B) BR  
LASALLE COUNTY  
STATION 863+16.00  
STRUCTURE NO. 050-0191 (SB & NB)