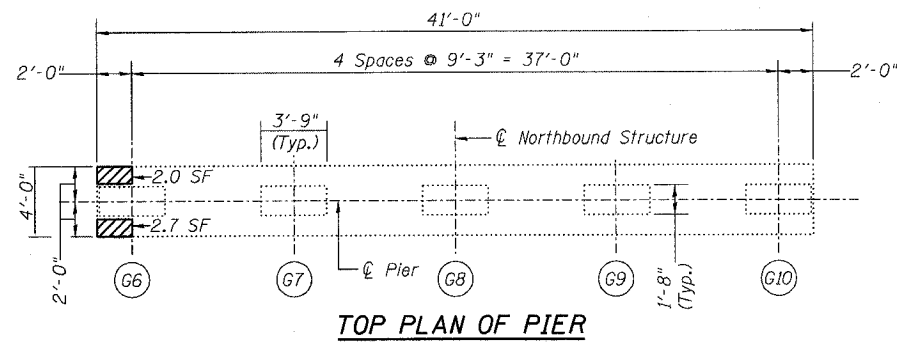


STATE OF ILLINOIS  
DEPARTMENT OF TRANSPORTATION

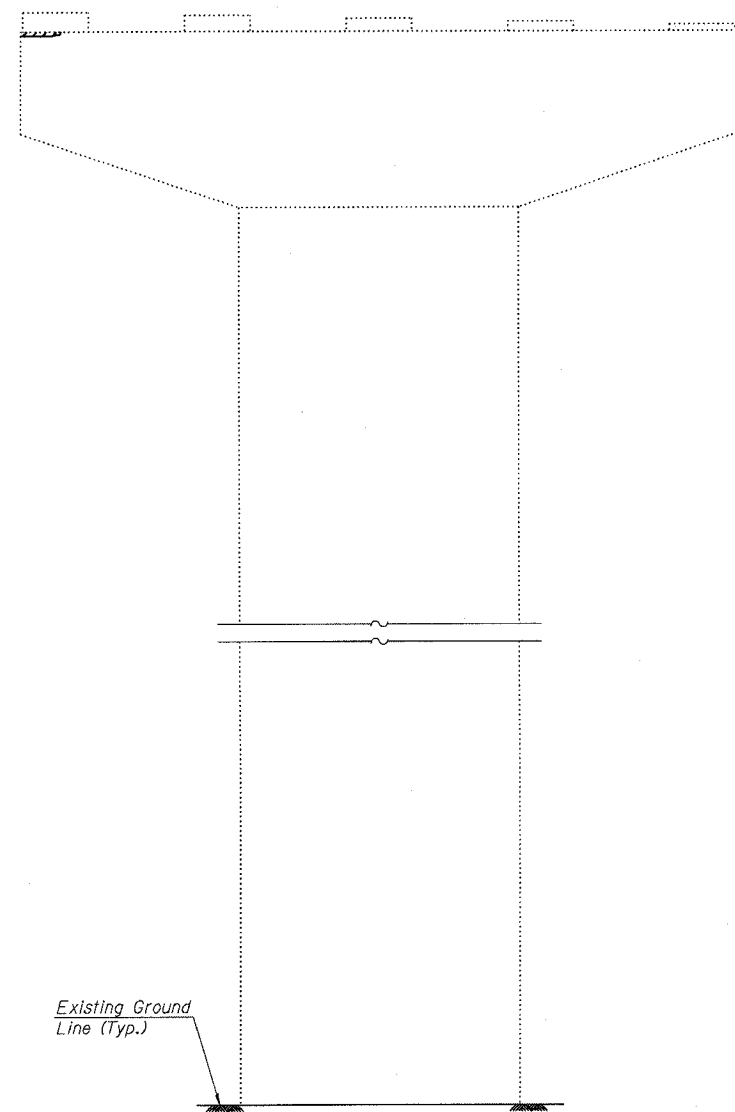
ROUTE NO.	SECTION	COUNTY	TOTAL SHEETS	SHEET	SHEET NO. 290
F.A.I. 39	50-4B	LASALLE		313	313 SHEETS
FED. ROAD DIST. NO. 7	ILLINOIS	FED. AID PROJECT-			

Contract # 66586

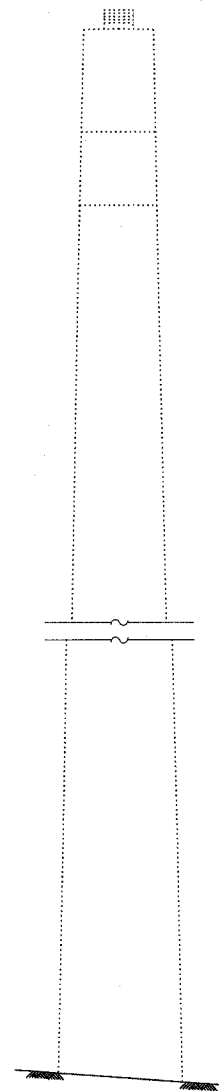


**NOTES:**

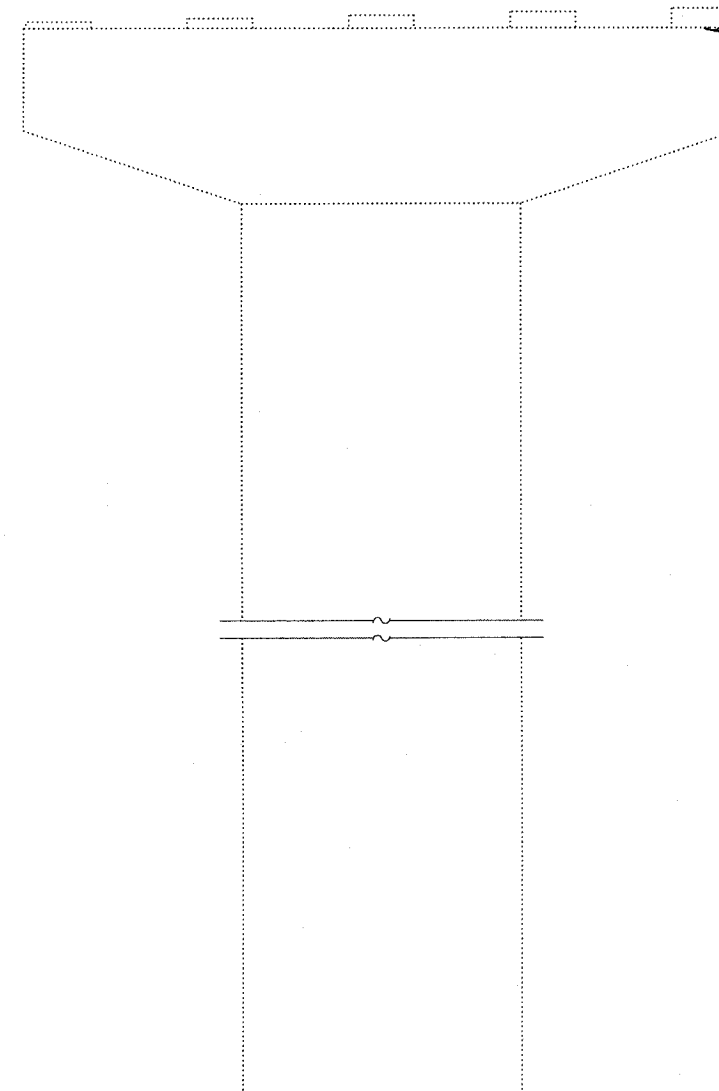
- The quantities shown are for estimating purposes only. The area to be repaired will be determined by the Engineer at the time of construction. Actual repair locations shall be shown on the as-built plans.



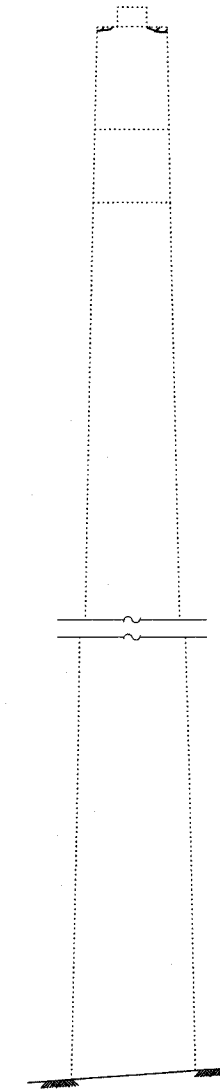
**ELEVATION**  
(Looking North)



**END VIEW**  
(Looking West)



**ELEVATION**  
(Looking South)



**END VIEW**  
(Looking East)

**LEGEND**

- Structural Repair of Concrete (Depth equal to or less than 5")
- SF Square Feet

**BILL OF MATERIAL**

ITEM	UNIT	QUANTITY
Structural Repair of Concrete (Depth equal to or less than 5")	SF	4.7

DESIGNED	ADB
CHECKED	BLS
DRAWN	KHH
CHECKED	MTH

**PIER REPAIR - PIER 33 NB**  
**ABRAHAM LINCOLN MEMORIAL BRIDGE OVER**  
**THE ILLINOIS RIVER (PUBLIC WATERS)**  
**F.A.I. ROUTE 39 SEC. (50-4B) BR**  
**LASALLE COUNTY**  
**STATION 863+16.00**  
**STRUCTURE NO. 050-0191 (SB & NB)**

**LIN ENGINEERING, LTD.**  
210 W. Chestnut  
Crahan, Illinois 62629  
(217) 483-4168  
FAX (217) 483-4706

**benesch**  
alfred benesch & company  
Engineers • Surveyors • Planners  
205 North Michigan Avenue, Suite 2400  
Chicago, Illinois 60601  
312-595-0450  
Job # 3856

x:\3800s\3856\structures\abe\lincoln memorial\find\plans\From\_Lin\Pier\_Repair\VP33\_NB.sht

10:04:10 AM

8/30/2006