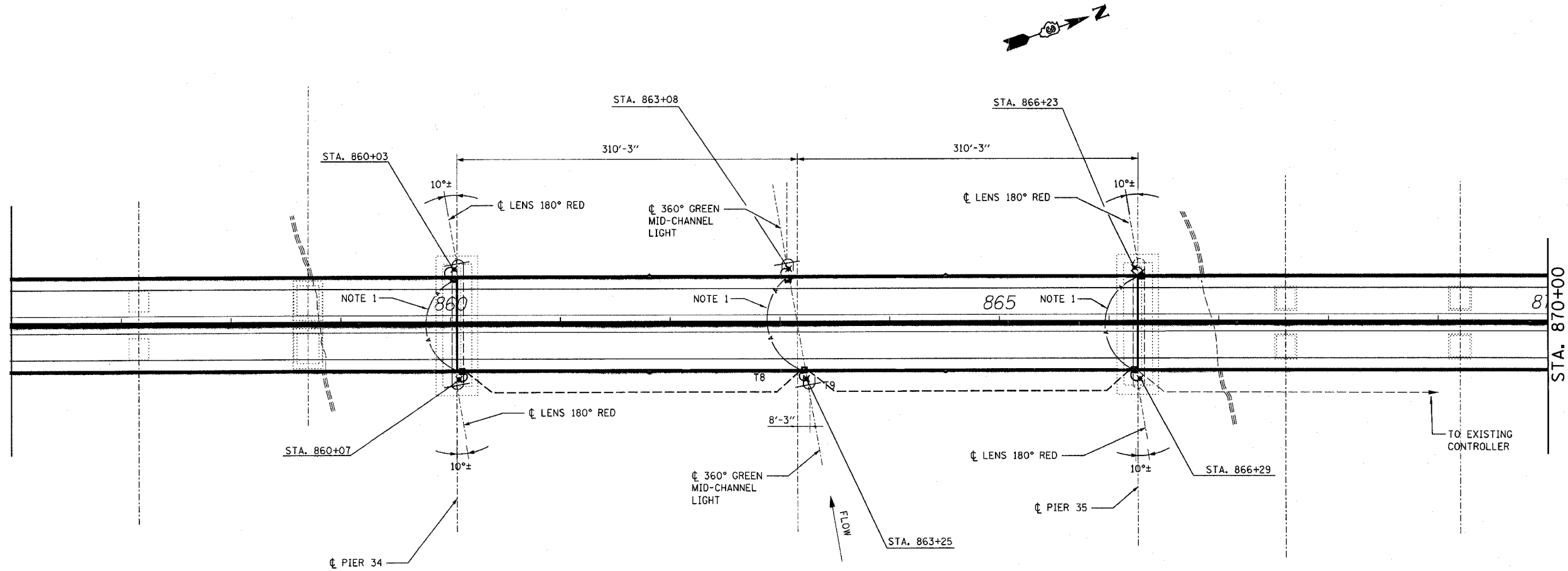


F.A. RTE.	SECTION	COUNTY	TOTAL SHEETS	SHEET NO.
39	50-4B	LASALLE		354
STA.		TO STA.		
FED. ROAD DIST. NO.		ILLINOIS	FED. AID PROJECT	



**NOTES:**  
 1. TEMPORARY LIGHTING CABLE TO SERVICE EXISTING NAVIGATIONAL LIGHTING DURING CONSTRUCTION.

REVISIONS	
NAME	DATE

ILLINOIS DEPARTMENT OF TRANSPORTATION  
 ABRAHAM LINCOLN MEMORIAL BRIDGE  
 OVER THE ILLINOIS RIVER  
 F.A.I. ROUTE 39  
 TEMPORARY NAVIGATION LIGHTING

SCALE: 1" = 50'  
 DATE

DRAWN BY DJK  
 CHECKED BYGHT

PLOT DATE = 10/17/2006  
 FILE NAME = x:\3800s\3856\electrical\lighting\plans\3856L-TmpNavPlan01.dgn  
 PLOT SCALE = \$SCALE#  
 TIME = 3:03:27 PM