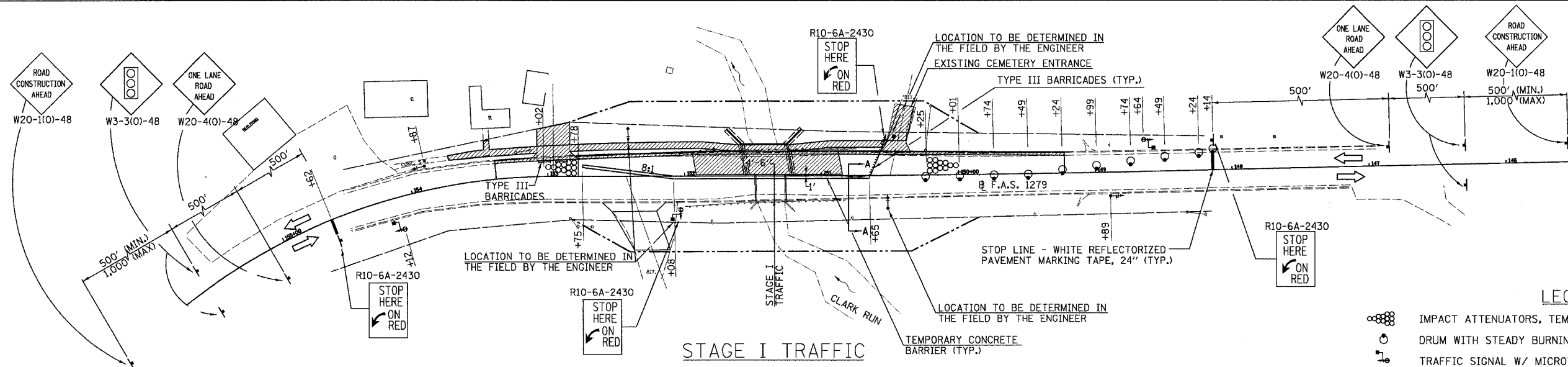
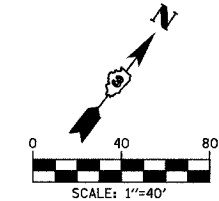


F.A.S. RTE.	SECTION	COUNTY	TOTAL SHEETS	SHEET NO.
1279	(P-10)BR	LASALLE	34	8
STA. N/A	TO STA. N/A			
FED. ROAD DIST. NO.	ILLINOIS	FED. AID PROJECT		

CONTRACT NO. 66661



STAGE I

1. INSTALL TRAFFIC SIGNALS, SIGNS, ETC. ACCORDING TO DETAILS & TRAFFIC CONTROL STANDARD 701321, MAINTAINING ALL TRAFFIC ON NORTHBOUND LANE.
2. REMOVE STAGE I PORTION OF THE EXISTING BRIDGE STRUCTURE; GUARDRAIL; CURB & GUTTER & PAVEMENT AS SHOWN ELSEWHERE ON PLANS. MAINTAIN ACCESS TO CEMETERY ENTRANCE, STA. 150+50.
3. CONSTRUCT THE STAGE I PORTION OF THE NEW PROPOSED PRECAST 3-SIDED STRUCTURE, BRIDGE APPROACH PAVEMENT, CURB & GUTTER B-6.24, LEVELING BINDER, GUARDRAIL, CULVERT PIPE AND PRIVATE ENTRANCES LOCATED ON THE SOUTHBOUND LANE AS SHOWN ELSEWHERE IN PLANS.

STAGE II

1. RELOCATE THE ATTENUATORS AS SHOWN IN DETAILS AND STANDARD 701321. RE-DIRECT TRAFFIC TO SOUTHBOUND LANE.
2. REMOVE THE STAGE II PORTION OF THE EXISTING STRUCTURE, PAVEMENT, CURB & GUTTER AND GUARDRAIL AS SHOWN ELSEWHERE IN PLANS.
3. CONSTRUCT THE STAGE II PORTION OF THE PROPOSED PRE-CAST 3-SIDED STRUCTURE, BRIDGE APPROACH PAVEMENT, CURB & GUTTER B-6.24, LEVELING BINDER, GUARDRAIL & PRIVATE ENTRANCE.
4. REMOVE TRAFFIC SIGNALS, ETC. CALLED FOR IN STANDARD 701321.

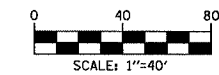
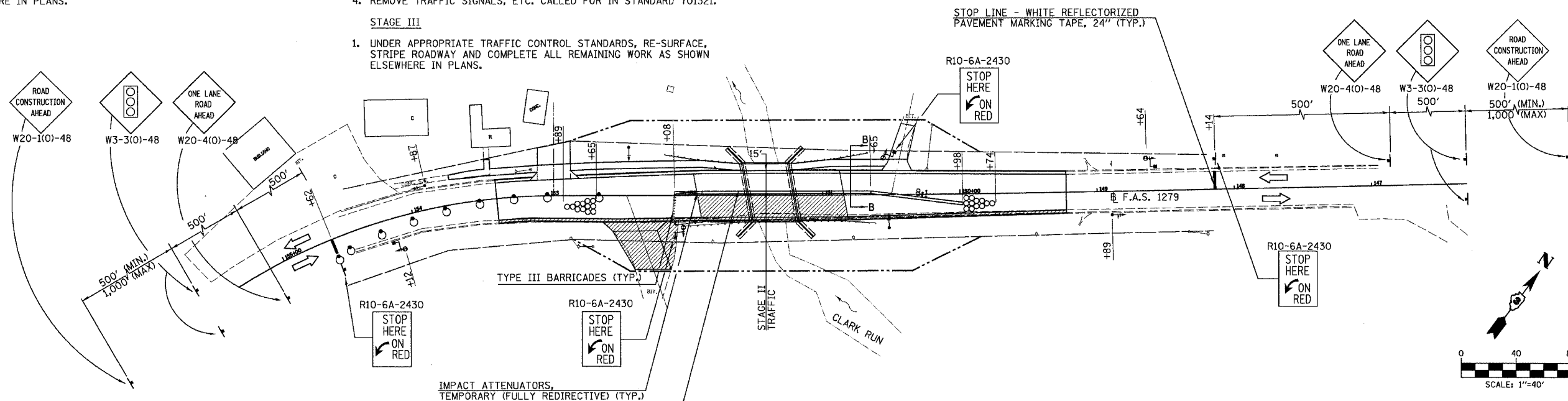
MAINTAIN TRAFFIC CONTROL SIGNS AND DRUMS AS SHOWN IN STD. 701321 OR AS DIRECTED BY ENGINEER
CONSTRUCTION SPEED LIMIT- 30 MPH

LEGEND

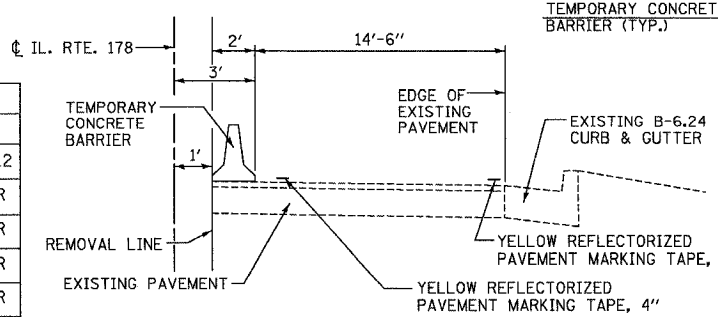
- IMPACT ATTENUATORS, TEMPORARY (NON-REDIRECTIVE) TEST LEVEL 2
- DRUM WITH STEADY BURNING LIGHT
- TRAFFIC SIGNAL W/ MICROWAVE DETECTOR W/ BACKPLATE
- WORK ZONE
- IMPACT ATTENUATORS, TEMPORARY (FULLY REDIRECTIVE)
- SIGNAL HEAD W/ BACKPLATE

STAGE III

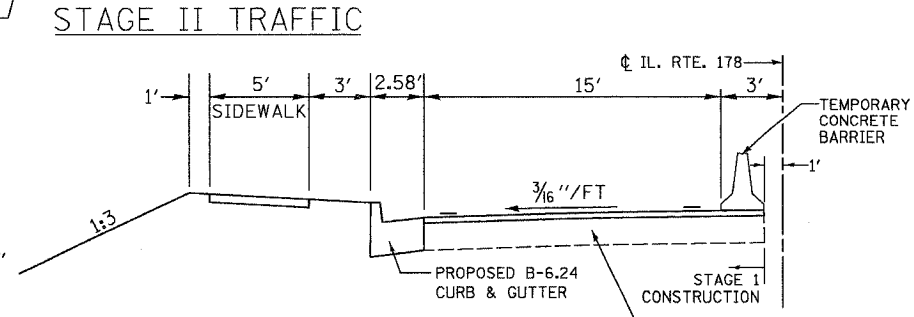
1. UNDER APPROPRIATE TRAFFIC CONTROL STANDARDS, RE-SURFACE, STRIPE ROADWAY AND COMPLETE ALL REMAINING WORK AS SHOWN ELSEWHERE IN PLANS.



SEQUENCE OF OPERATIONS																
PHASE	A	B	C	D												
INTERVAL	1	2	3	4	5	6	7	8	9	10	11	12				
SOUTH BOUND	G	Y	R	R	R	R	R	R	R	R	R	R	R	R		
NORTH BOUND	R	R	R	G	Y	R	R	R	R	R	R	R	R	R		
SOUTH ENTRANCE	R	R	R	R	R	R	G	Y	R	R	R	R	R	R		
NORTH ENTRANCE	R	R	R	R	R	R	R	R	R	G	Y	R	R	R		



SECTION A-A
STAGE I TRAFFIC



SECTION B-B
STAGE II TRAFFIC

NOTES:

TRAFFIC CONTROL FOR STAGE CONSTRUCTION SHALL BE IN ACCORDANCE WITH THE DETAILS SHOWN. STANDARD 701321 AND THE SPECIAL PROVISIONS.
ALL DIMENSIONS ARE IN FEET AND TENTHS EXCEPT WHERE NOTED.

REVISIONS	
NAME	DATE

ILLINOIS DEPARTMENT OF TRANSPORTATION
STAGE CONSTRUCTION DETAILS
ILLINOIS ROUTE 178 OVER CLARK RUN
F.A.S. ROUTE 1279 - SEC. (P-10)BR
LASALLE COUNTY
STATION 151+38.00
STRUCTURE NO. 050-0085 (EXISTING)
STRUCTURE NO. 050-0238 (PROPOSED)
SCALE: 1"=40'
DATE: JULY 3, 2006
DRAWN BY DAC
CHECKED BY SMK