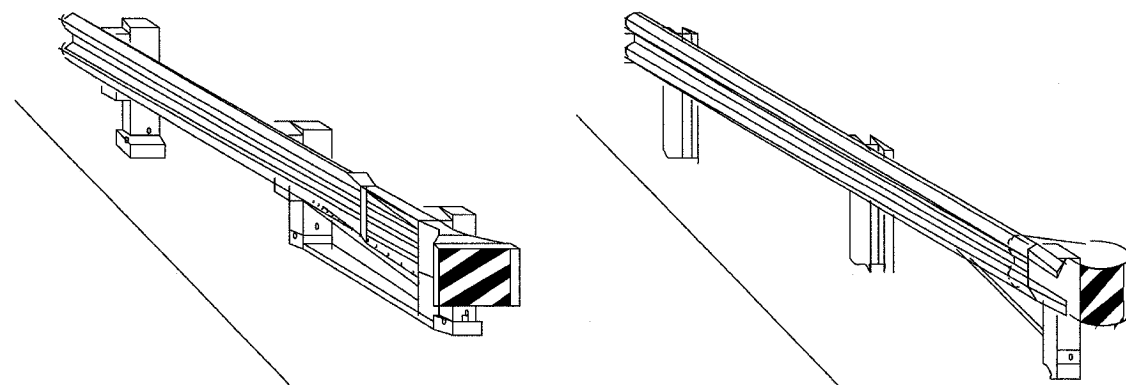


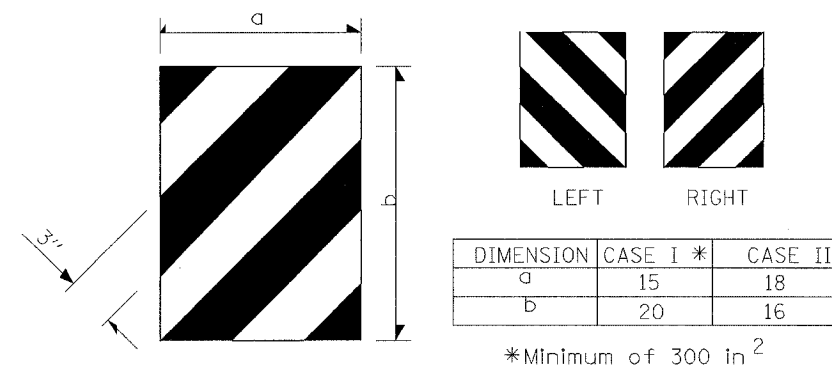
F.A.S. RTE.	SECTION	COUNTY	TOTAL SHEETS	SHEET NO.
1279	(P-10)BR	LASALLE	34	24
STA. N/A		TO STA. N/A		
FED. ROAD DIST. NO. 7 ILLINOIS FED. AID PROJECT				

**CONTRACT NO. 66661**



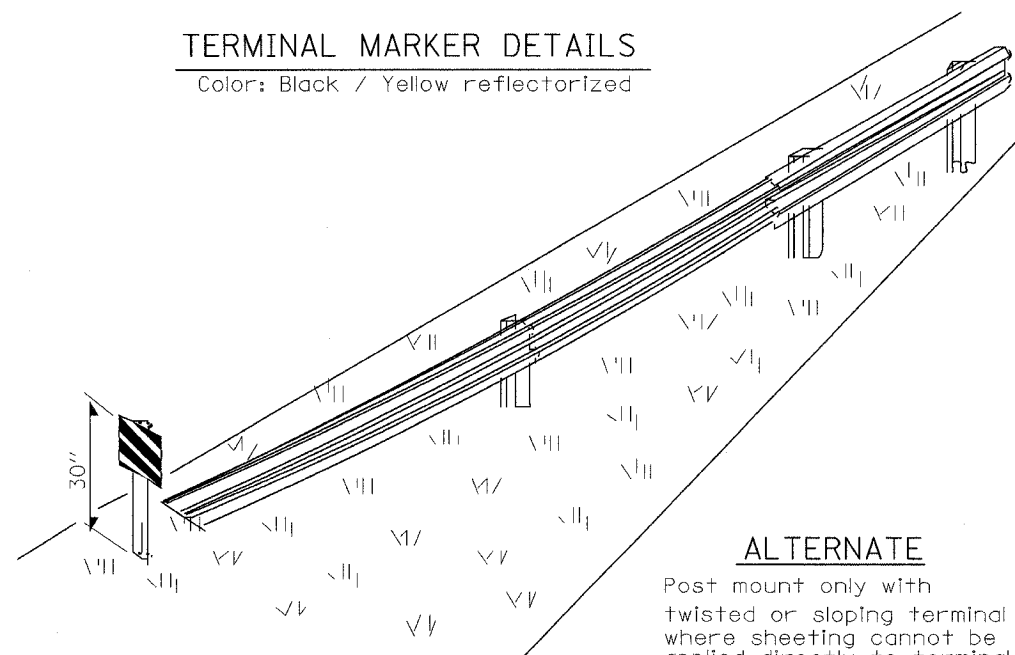
**CASE I**

**CASE II**



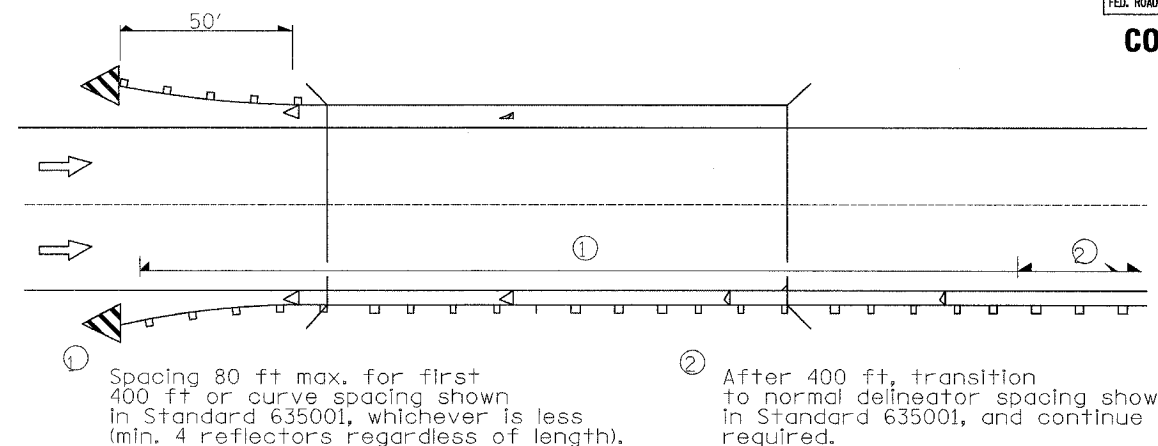
**TERMINAL MARKER DETAILS**

Color: Black / Yellow reflectorized

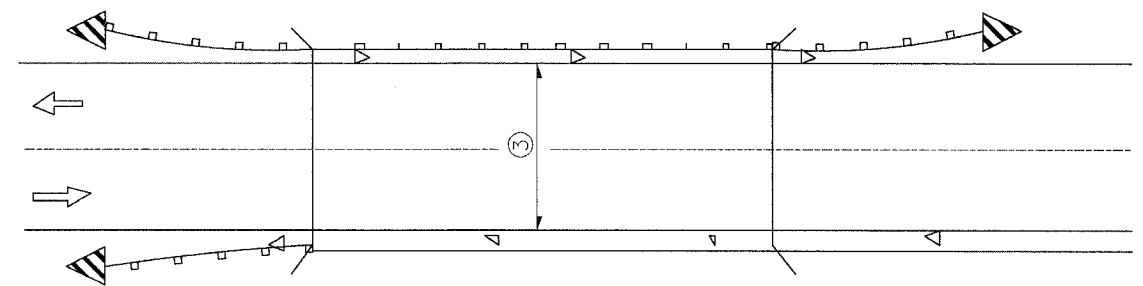


**ALTERNATE**

Post mount only with twisted or sloping terminal where sheeting cannot be applied directly to terminal.

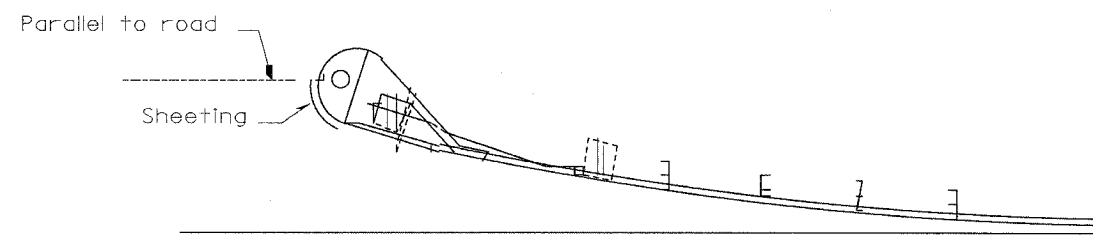


**ONE-WAY TRAFFIC**



**TWO-WAY TRAFFIC**

**GUARDRAIL / BARRIER WALL / BRIDGE RAIL REFLECTORS**



**SHEETING POSITION: CASE II**

**REFLECTOR AND TERMINAL MARKER PLACEMENT 635-1**

REVISIONS	
NAME	DATE

ILLINOIS DEPARTMENT OF TRANSPORTATION

**MISC. DETAILS**

SCALE: VERT. NONE  
HORIZ. NONE  
DATE: JULY 3, 2006

DRAWN BY DAC  
CHECKED BY SMK