



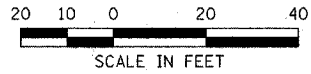
POINT	ILLINOIS 336		FRONTAGE ROAD #3		ELEVATION
	STATION	OFFSET	STATION	OFFSET	
A1	74+90.54	49.00' LT	600+51.95	64.25' LT	666.68
A2	75+06.42	51.59' LT	600+53.82	48.27' LT	666.56
A3	75+20.65	59.09' LT	600+60.67	33.71' LT	666.36
A4	75+31.77	70.71' LT	600+71.78	22.09' LT	665.65
A5	75+38.62	85.27' LT	600+86.02	14.59' LT	665.59
A6	75+40.49	101.25' LT	601+01.90	12.00' LT	665.40
A7	75+37.51	116.15' LT	601+16.92	14.31' LT	665.12
A8	75+30.18	129.47' LT	601+30.55	21.03' LT	664.79
A9	75+19.20	139.97' LT	601+41.54	31.53' LT	664.55
A10	75+05.56	146.69' LT	601+48.86	44.85' LT	664.30
A11	74+90.54	149.00' LT	601+51.85	59.75' LT	664.05

POINT	ILLINOIS 336		FRONTAGE ROAD #3		ELEVATION
	STATION	OFFSET	STATION	OFFSET	
B1	76+14.67	149.00' LT	602+21.84	8.00' RT	663.69
B2	75+98.79	146.41' LT	602+05.96	10.59' RT	663.76
B3	75+84.55	138.91' LT	601+91.72	18.09' RT	664.02
B4	75+73.44	127.28' LT	601+26.42	22.09' RT	664.93
B5	75+66.59	112.73' LT	601+12.18	14.59' RT	665.19
B6	75+64.72	96.75' LT	600+96.31	12.00' RT	665.39
B7	75+67.70	81.85' LT	600+81.28	14.31' RT	665.66
B8	75+75.02	68.53' LT	600+67.65	21.03' RT	665.77
B9	75+86.01	58.03' LT	600+56.66	31.53' RT	666.00
B10	75+99.64	51.31' LT	600+49.34	44.85' RT	666.23
B11	76+14.67	49.00' LT	600+46.36	59.75' RT	666.21

POINT	ILLINOIS 336		TOWNSHIP ROAD 36		ELEVATION
	STATION	OFFSET	STATION	OFFSET	
D1	74+99.47	49.00' RT	599+53.64	59.75' LT	666.65
D2	75+14.49	51.31' RT	599+50.66	44.85' LT	666.54
D3	75+28.12	58.03' RT	599+43.34	31.53' LT	665.84
D4	75+39.11	68.53' RT	599+32.35	21.03' LT	665.64
D5	75+46.43	81.85' RT	599+18.72	14.31' LT	665.48
D6	75+49.42	96.75' RT	599+03.70	12.00' LT	665.22

POINT	ILLINOIS 336		TOWNSHIP ROAD 36		ELEVATION
	STATION	OFFSET	STATION	OFFSET	
C1	75+73.64	101.25' RT	598+98.10	12.00' RT	665.12
C2	75+75.51	85.27' RT	599+13.98	14.59' RT	665.38
C3	75+82.36	70.71' RT	599+28.22	22.09' RT	665.52
C4	75+93.48	59.09' RT	599+39.33	33.71' RT	665.83
C5	76+07.71	51.59' RT	599+46.18	48.27' RT	666.02
C6	76+23.59	49.00' RT	599+48.05	64.25' RT	666.18

PROPOSED MEDIAN POINTS			
POINT	STATION	OFFSET	ELEVATION
E1	74+77.55	25.00' LT	666.73
E2	75+13.84	16.53' LT	666.42
E3	75+14.63	0.97' RT	666.11
E4	74+71.87	13.00' RT	666.52
E5	76+42.26	13.00' LT	665.88
E6	75+99.50	0.97' LT	665.78
E7	76+00.29	16.53' RT	666.09
E8	76+36.58	25.00' RT	666.14
E9	75+55.94	25.00' LT	666.42
E10	75+58.19	25.00' RT	666.42



REVISIONS	
NAME	DATE

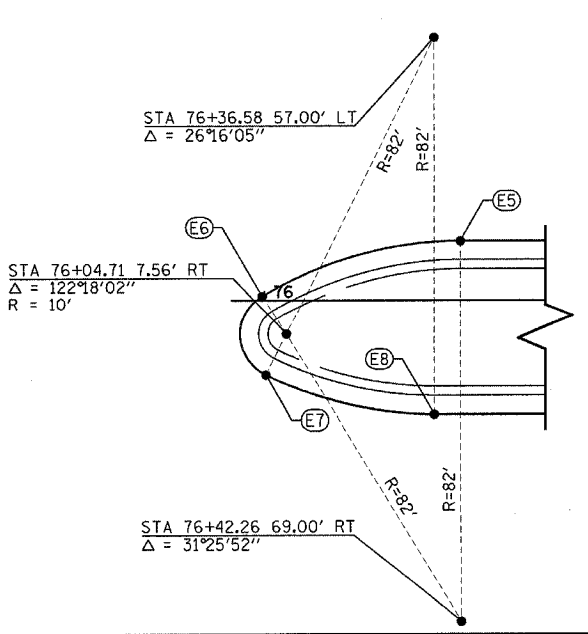
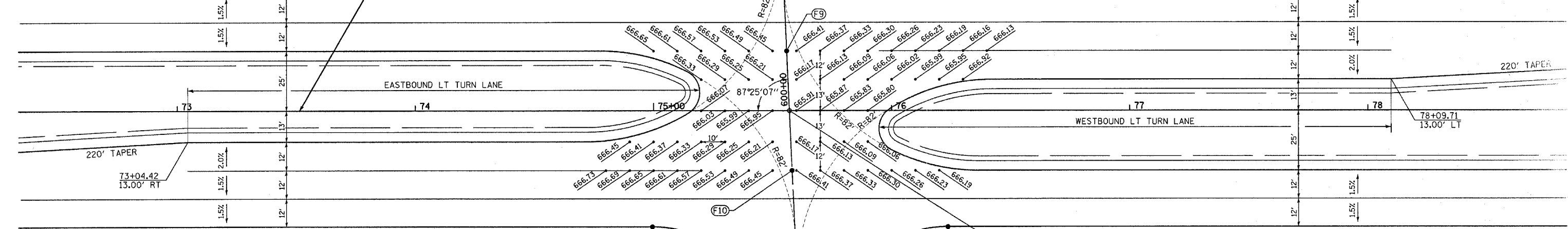
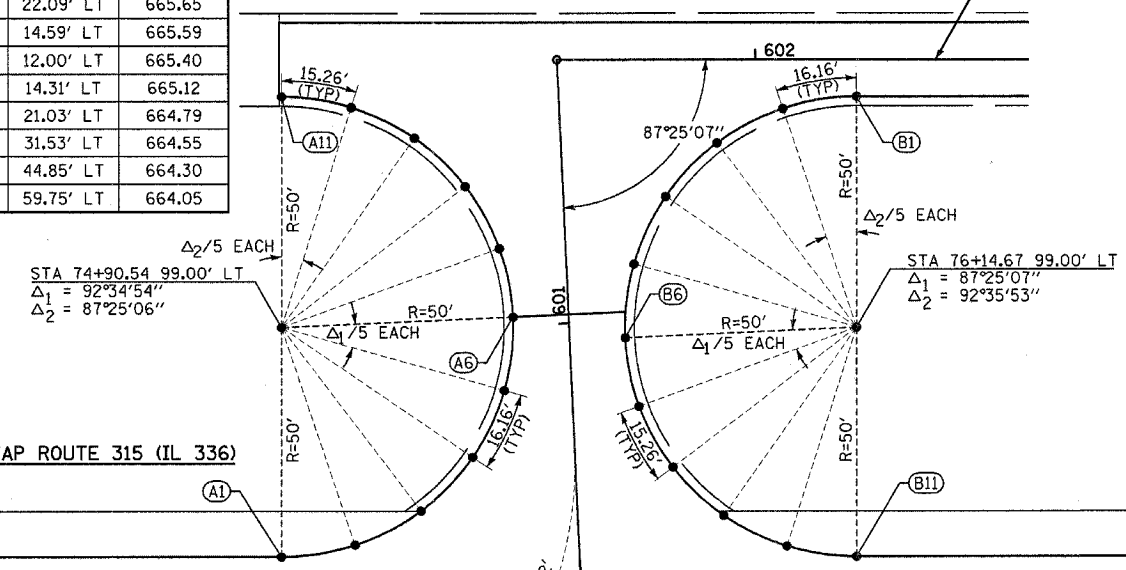
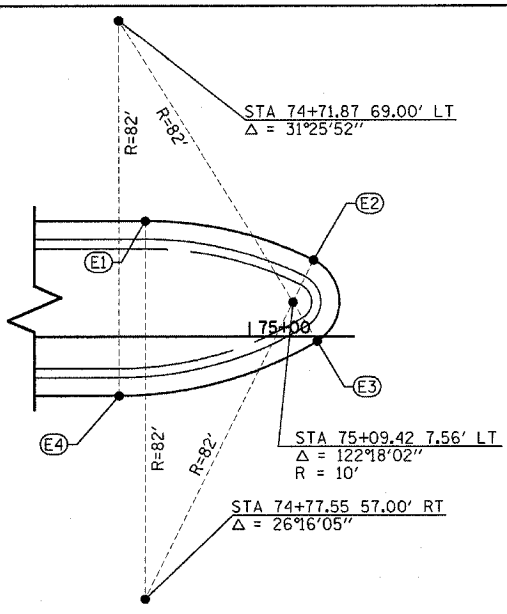
ILLINOIS DEPARTMENT OF TRANSPORTATION

**INTERSECTION DETAILS**  
IL 336 & TR 36 / FRONTAGE RD #3

SCALE: VERT. N/A  
HORIZ. 1"=20'

DATE: 7/16/03

DRAWN BY: HH  
CHECKED BY: SRD



Plot Date: 7/16/03  
 Plotted By: bschmidt  
 Pen Table: lot+tbl  
 Filename: h:\03033\constr\action\plans\IEE\int04\FRONTAGE RD #3.dgn