

STATE OF ILLINOIS
DEPARTMENT OF TRANSPORTATION

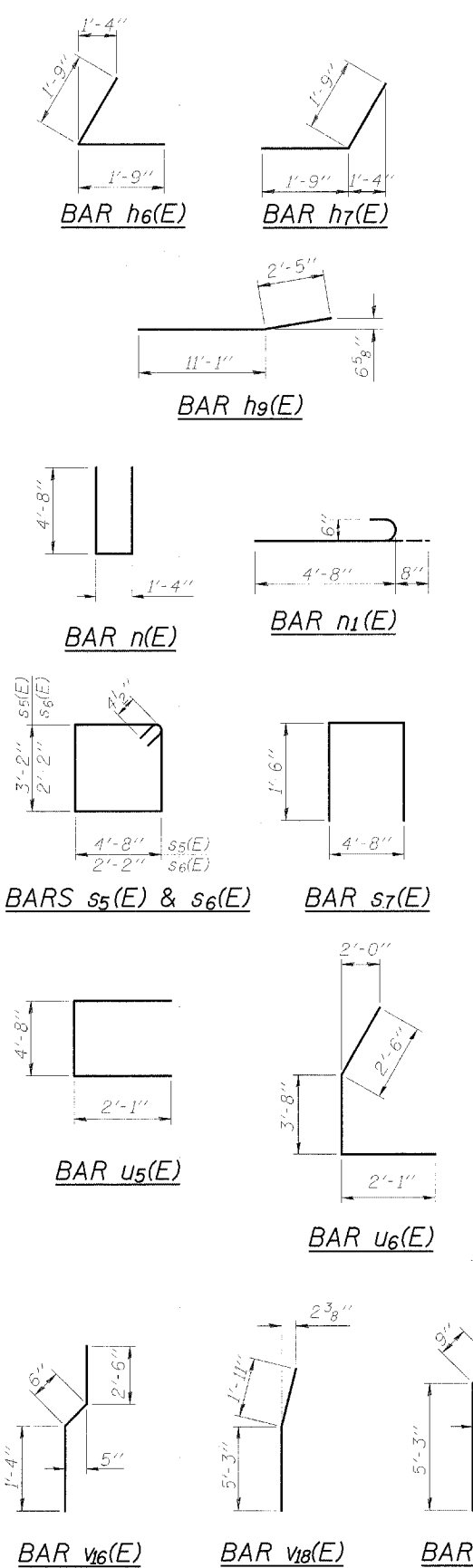
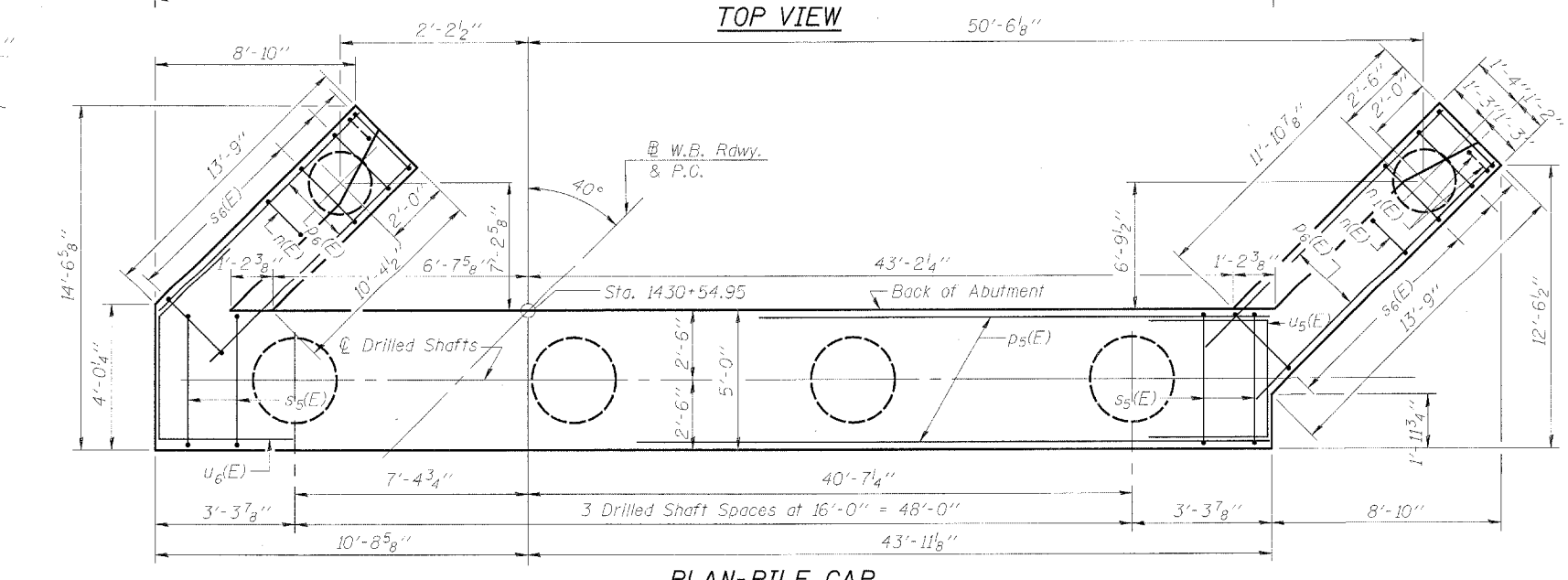
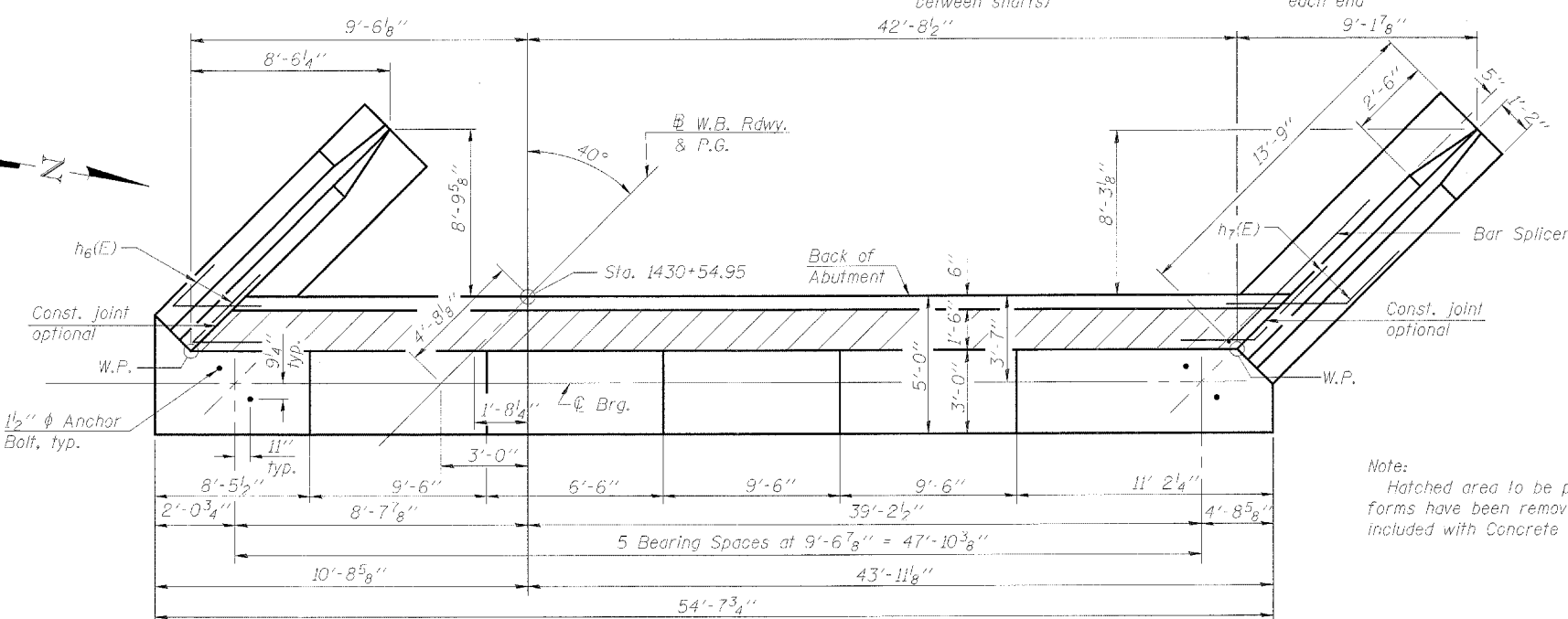
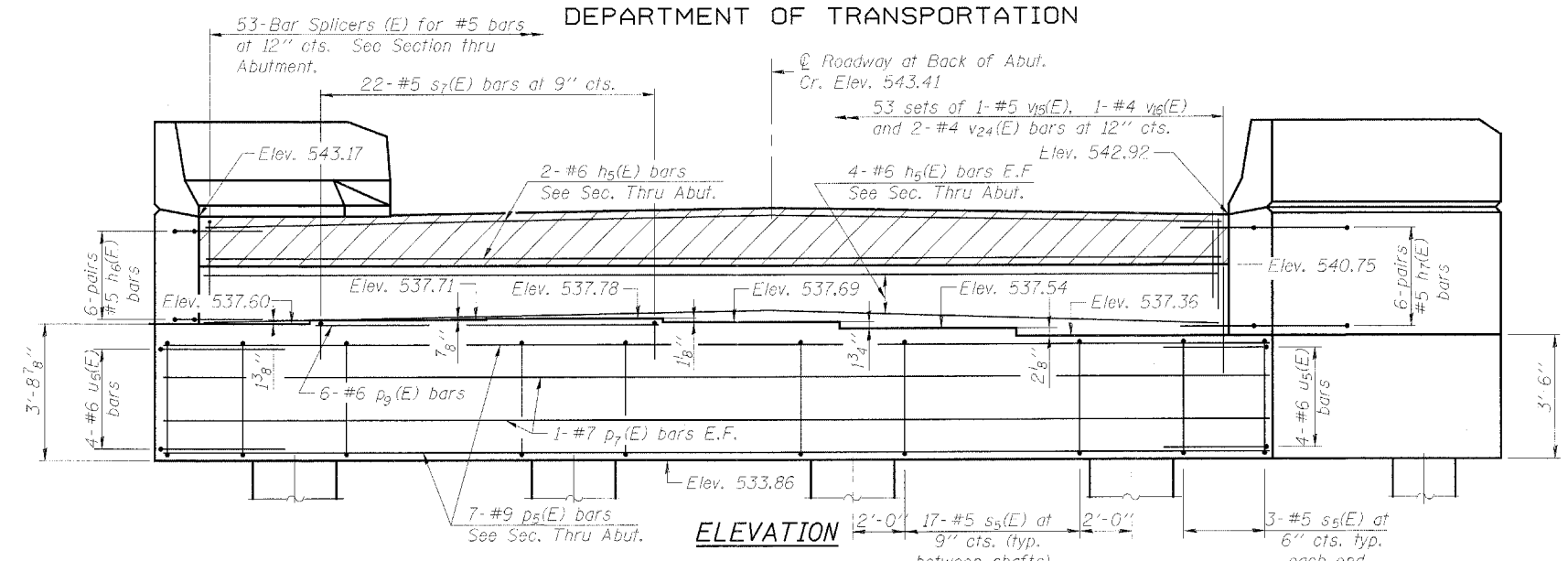
ROUTE NO.	SECTION	COUNTY	TOTAL SHEETS	SHEET NO.	SHEET NO. 21
F.A.P. 315	34-6, 55-1	HANCOCK	433	219	36 SHEETS
FED. ROAD DIST. NO. 7	SUBDIVISION	FED. AID PROJECT			

Contract #68206

ABUTMENT
BILL OF MATERIAL

Bar	No.	Size	Length	Shape
h ₅ (E)	12	#6	52'-0"	—
h ₆ (E)	12	#5	3'-6"	—
h ₇ (E)	12	#5	3'-6"	—
h ₈ (E)	24	#4	13'-5"	—
h ₉ (E)	16	#4	13'-6"	—
n(E)	24	#6	10'-8"	—
n ₁ (E)	12	#6	5'-4"	—
n ₂ (E)	76	#10	7'-0"	—
n ₃ (E)	12	#8	5'-0"	—
p ₅ (E)	14	#9	54'-4"	—
p ₆ (E)	12	#7	13'-6"	—
p ₇ (E)	4	#7	54'-4"	—
p ₉ (E)	6	#6	15'-9"	—
s ₅ (E)	57	#5	16'-5"	□
s ₆ (E)	28	#4	9'-5"	□
s ₇ (E)	22	#5	7'-8"	□
* SP ₁₀	2	#4	18'-4"	▨
* SP ₁₁	4	#4	26'-10"	▨
u ₅ (E)	4	#6	8'-10"	—
u ₆ (E)	4	#6	8'-3"	—
v ₁₅ (E)	53	#5	3'-2"	—
v ₁₆ (E)	53	#4	4'-4"	—
v ₁₇ (E)	28	#6	8'-2"	—
v ₁₈ (E)	5	#6	7'-2"	—
v ₁₉ (E)	24	#6	7'-11"	—
v ₂₀	76	#10	26'-7"	—
v ₂₁	12	#8	18'-1"	—
v ₂₄ (F)	106	#4	5'-6"	—
Structure Excavation		Cu. Yd.	107	
Drilled Shaft in Soil		Foot	48	
42" Dia.				
Drilled Shaft in Rock		Foot	60	
36" Dia.				
Drilled Shaft in Soil		Foot	24	
24" Dia.				
Drilled Shaft in Rock		Foot	13	
18" Dia.				
Concrete Structures		Cu. Yd.	75.4	
Reinforcement Bars, Epoxy Coated		Pound	10660	
Reinforcement Bars		Pound	10740	
Bar Splicer (E)		Each	53	

Reinforcement Bars designated (E) shall be epoxy coated.
For details of Bar Splicers, see sheet 31 of 36.
Space reinforcement to miss anchor bolts.
* Length is height of spiral.
Cast steps monolithically with cap.



DESIGNED	KLH
CHECKED	EML
DRAWN	JGC
CHECKED	KLH

HORNER & SHIFRIN, INC.
ENGINEERS ■ ARCHITECTS ■ PLANNERS

WEST ABUTMENT DETAILS - W.B. STRUCTURE
ILLINOIS ROUTE 336 OVER
EAST FORK OF THE LAMOINE RIVER
F.A.P. ROUTE 315 - SECTION 34-6, 55-1
HANCOCK COUNTY; STA. 1432+02.61
STRUCTURE NO. 034-0511 (E.B.)
STRUCTURE NO. 034-0512 (W.B.)