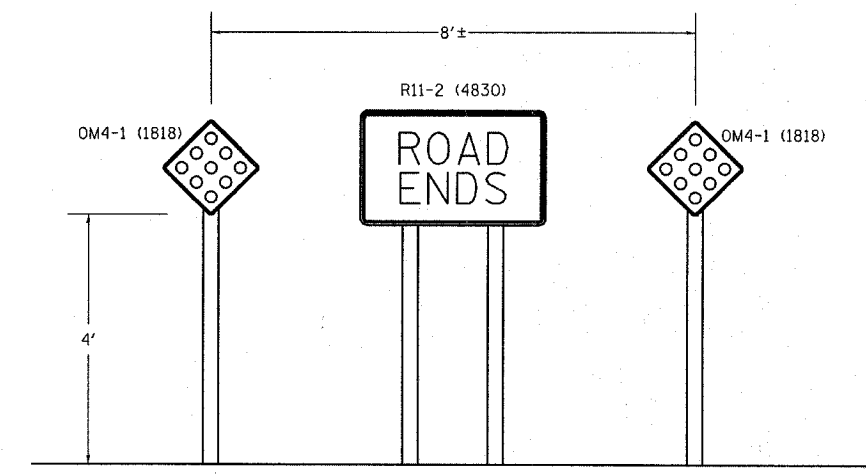
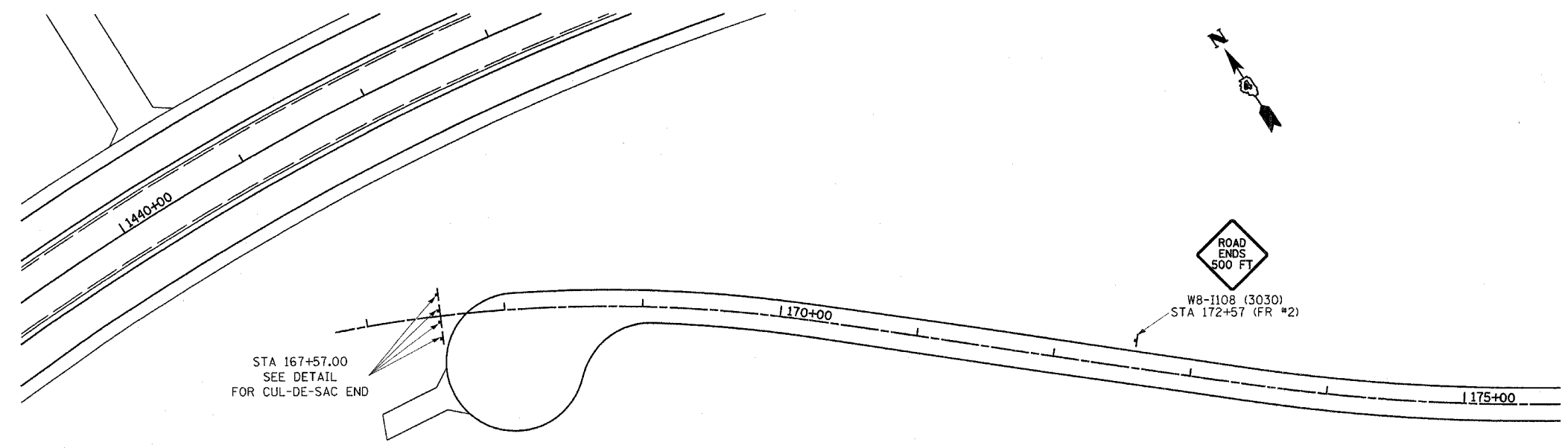
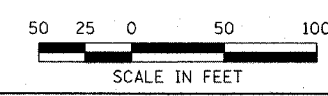
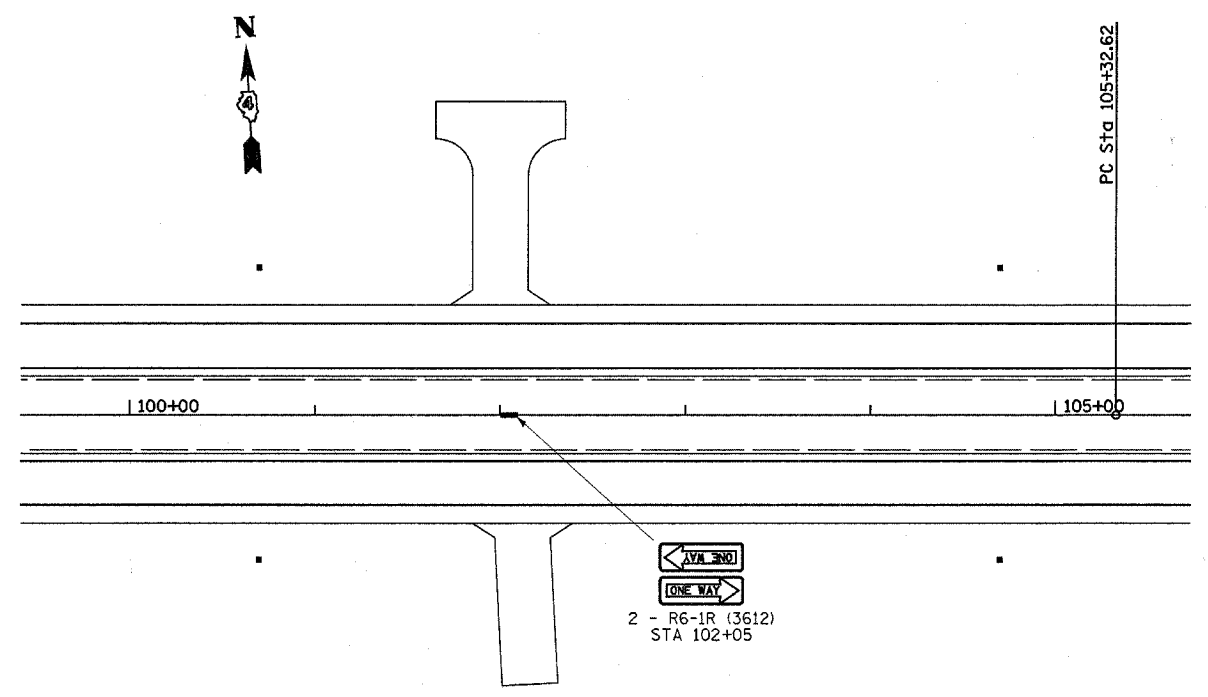


F.A.P. RTE.	SECTION	COUNTY	TOTAL SHEETS	SHEET NO.
315	(34-6,55-1)	HANCOCK/MCDONOUGH	433	239
STA. 166+76.74		TO STA. 178+00		
FED. ROAD DIST. NO.		ILLINOIS	FED. AID PROJECT	
STATE CONTRACT NO. 68206				



SIGNING FOR CUL-DE-SAC END STA 167+57.00

Plot Date: 7/19/2006
 Plot Time: 10:30 AM
 Plot Path: C:\Program Files\Autodesk\AutoCAD 2006\Plot\Plot1.dwg
 Plot Tables: 1604.tbl
 File Name: I:\03033\cd\1\constr\location_plans\222_0105fr02.dgn