

STATE OF ILLINOIS
DEPARTMENT OF TRANSPORTATION

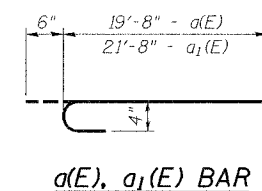
ROUTE NO.	SECTION	COUNTY	TOTAL SHEETS	SHEET NO.	SHEET NO. 6
F.A.P. 622	(128BR1)	FULTON	19	15	10 SHEETS
FED. ROAD DIST. NO. 7	ILLINOIS	FED. AID PROJECT			

Contract #68483

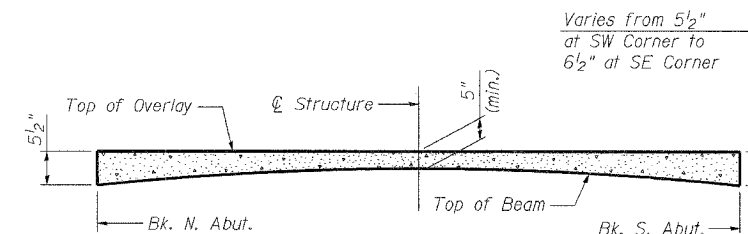
BILL OF MATERIAL

Bar	No.	Size	Length	Shape
a(E)	32	4	20'-2"	C
a ₁ (E)	32	4	22'-2"	C
a ₂ (E)	4	5	26'-3"	C
a ₃ (E)	4	5	29'-2"	C
b(E)	43	4	31'-11"	C
Concrete Wearing Surface, 5"			Sq. Yd.	151
Reinforcement Bars, Epoxy Coated			Sq. Ft.	2050

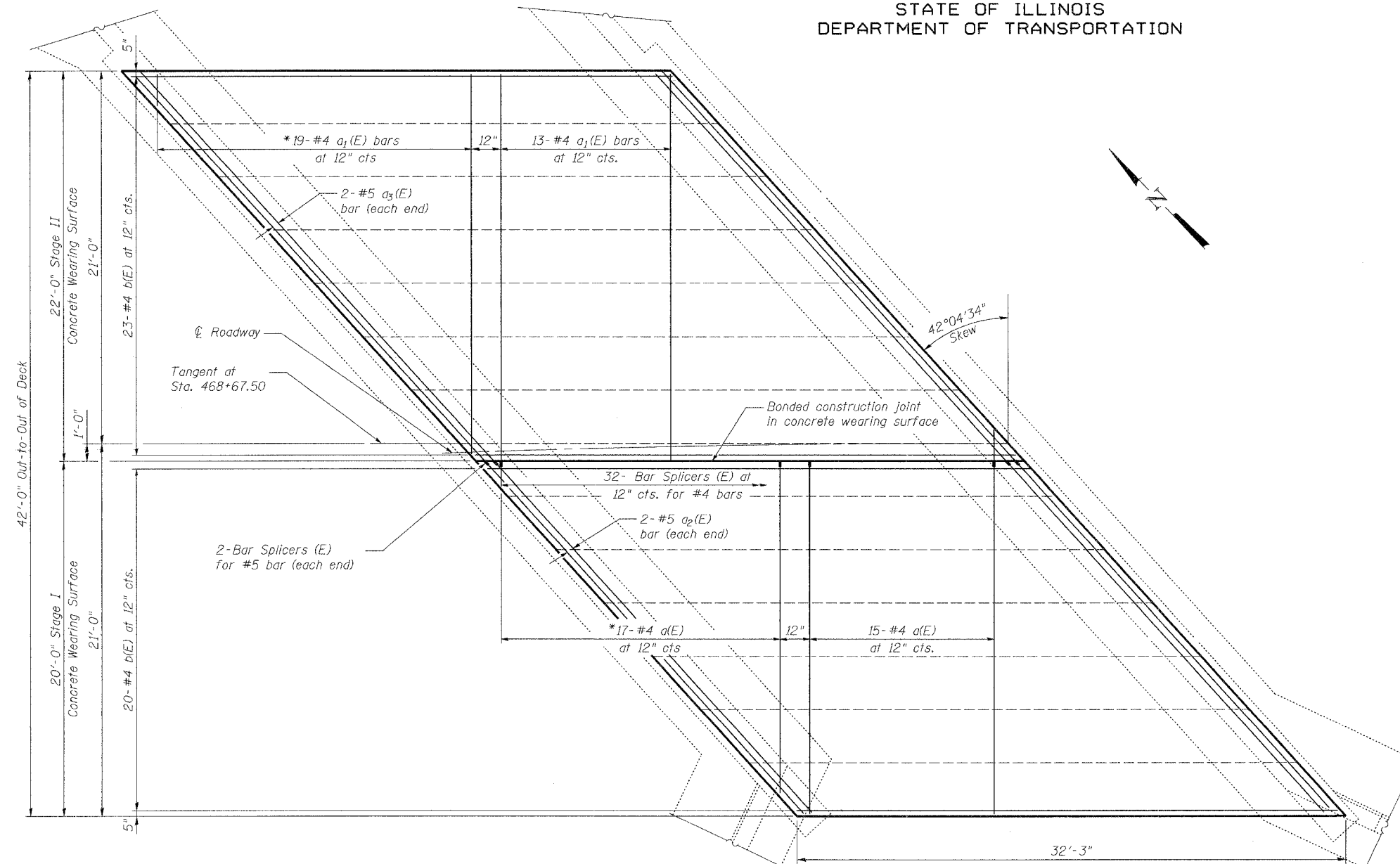
Reinforcement bars designated (E) shall be epoxy coated



a(E), a₁(E) BAR

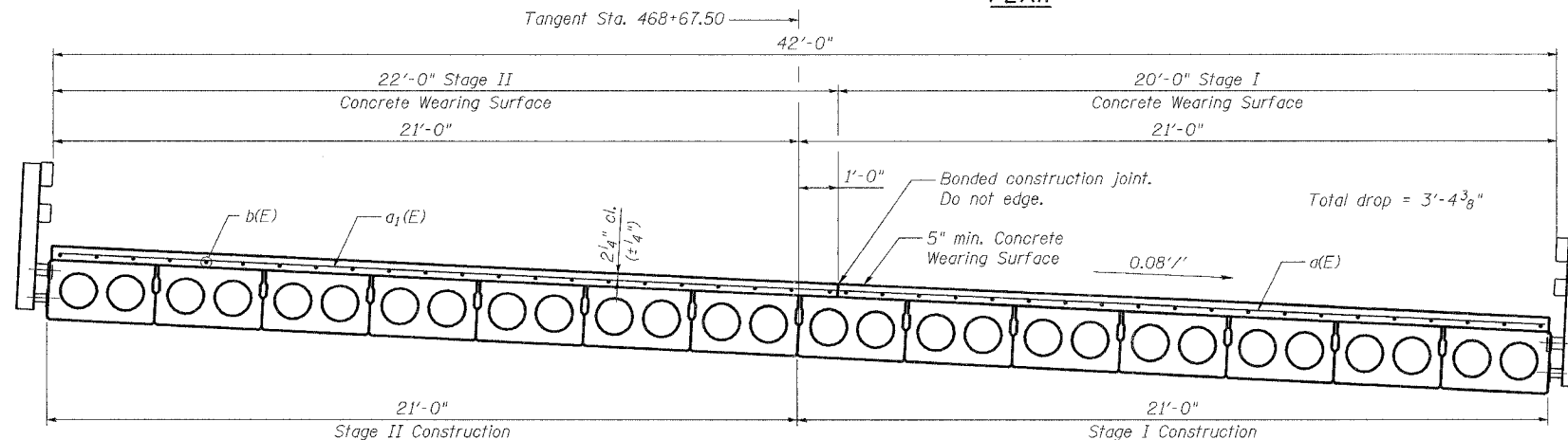


REINFORCED CONCRETE WEARING SURFACE PROFILE



PLAN

* Order a(E) and a₁(E) bars full length. Cut to fit skew and use remainder of bars in opposite end. Ensure hooked end is placed adjacent to outer edge of fascia beam.



DECK CROSS SECTION

(Looking Upstation)

DESIGNED BWP	THOUVENOT, WADE & MOERCHEN, INC. ENGINEERS • SURVEYORS • PLANNERS CORPORATE OFFICE 3940 OLD COLLINSVILLE RD. SPRINGFIELD, ILLINOIS 62726 TEL: (618) 624-6688 FAX: (618) 624-6688 E-MAIL: GW@TWM-INC.COM
CHECKED ALN	
DRAWN KBF	
CHECKED KPC	

CONCRETE OVERLAY DETAILS
ILLINOIS ROUTE 97 OVER
BIG CREEK TRIBUTARY
F.A.P. RTE 622 SECTION (128BR1)
FULTON COUNTY
SN 029-0026