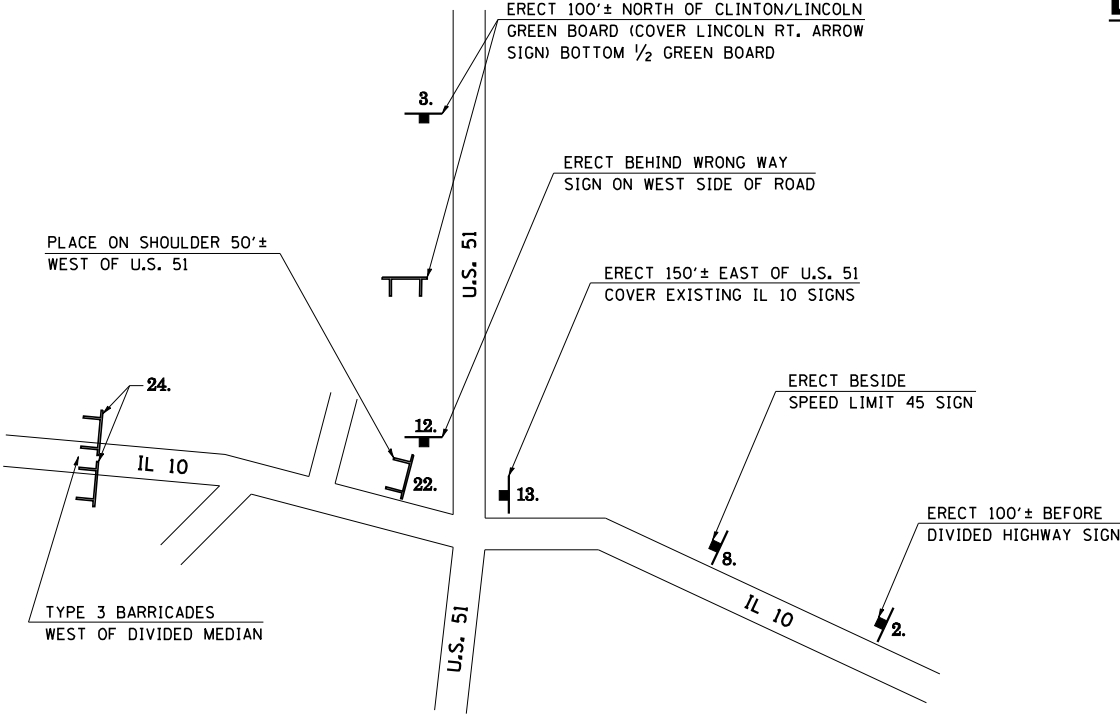


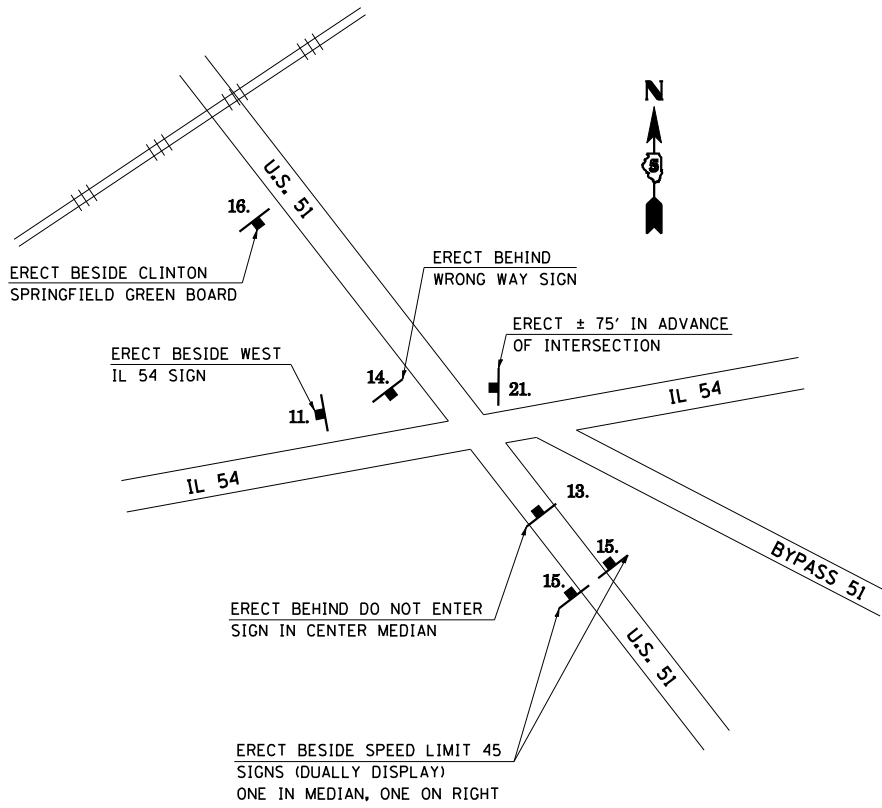
F.A.P. RTE.	SECTION	COUNTY	TOTAL SHEETS	SHEET NO.
717	(111B)BR	DEWITT	53	15
STA.		TO STA.		
FED. ROAD DIST. NO.	ILLINOIS	FED. AID PROJECT		

DETOUR SIGNING DETAIL

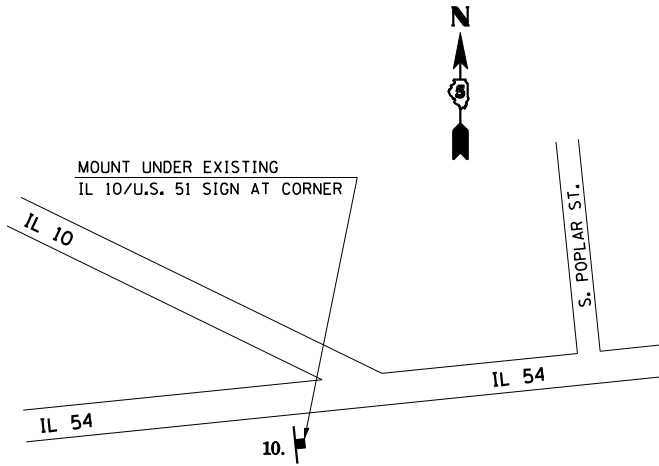
SHEET 1 OF 4



IL 10 & U.S. 51 INTERSECTION AT CLINTON, IL

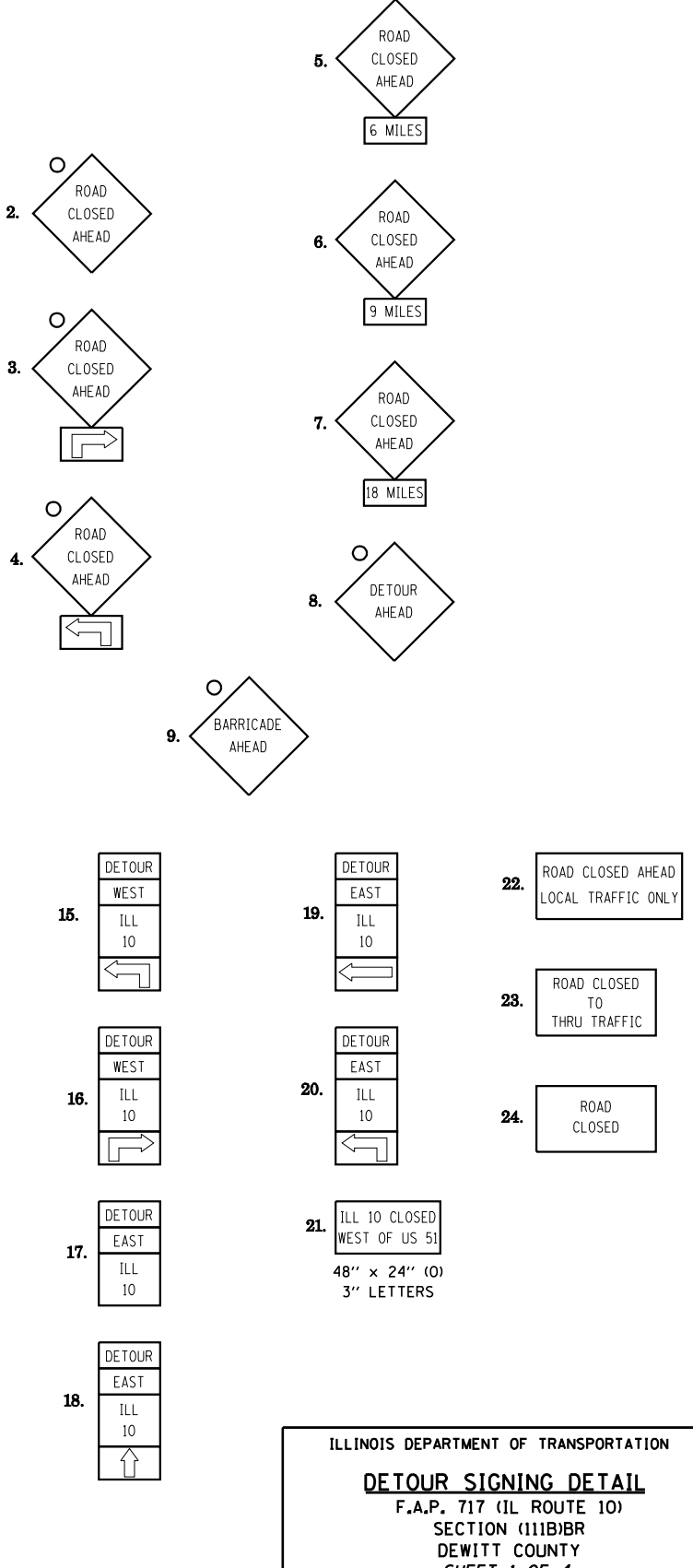


IL 54 & U.S. 51 INTERSECTION AT CLINTON, IL



IL 10 & IL 54 INTERSECTION

LEGEND



ILLINOIS DEPARTMENT OF TRANSPORTATION

DETOUR SIGNING DETAIL

F.A.P. 717 (IL ROUTE 10)
SECTION (111B)BR
DEWITT COUNTY
SHEET 1 OF 4

SCALE: NOT TO SCALE
DATE: 04/27/06

DRAWN BY: B.B.P.
CHECKED BY: M.W.M.

PLOT DATE = 8/25/2006
FILE NAME = C:\p01\ecrs\d503004 (v8)\70387\det01s.dgn
SCALE = 42.3523 / IN.
USER NAME = pierfontb