

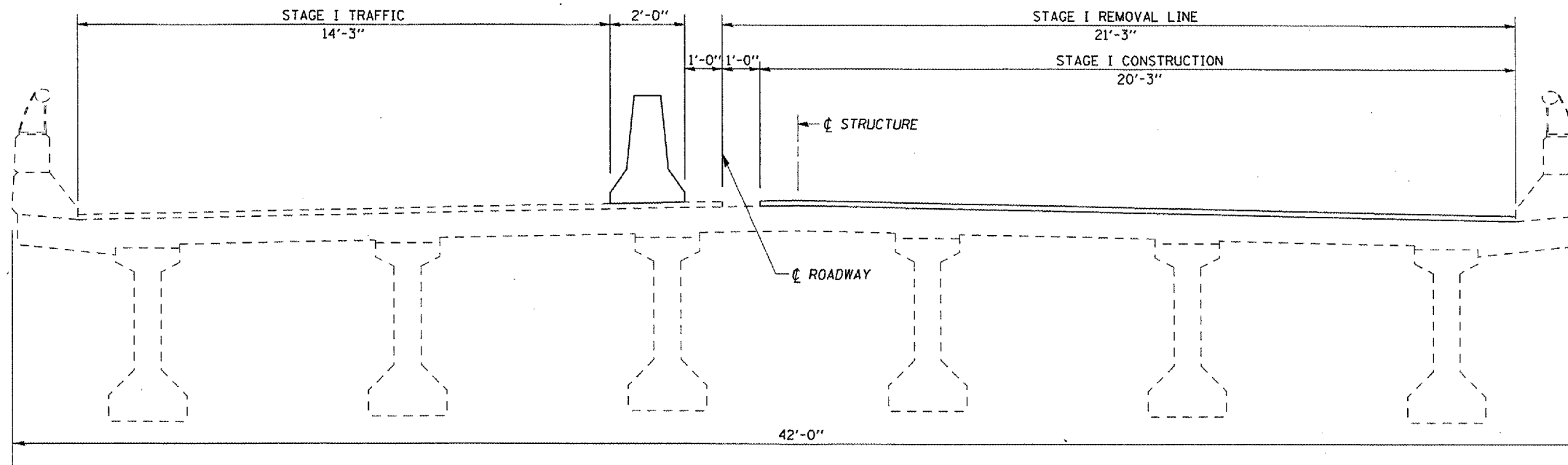
F.A.I. RTE.	SECTION	COUNTY	TOTAL SHEETS	SHEET NO.
74	*	MCLEAN	4L	15

\* 157-21B&57-22B&BDR

SHEET 3 OF 8

**STAGE I CONSTRUCTION**

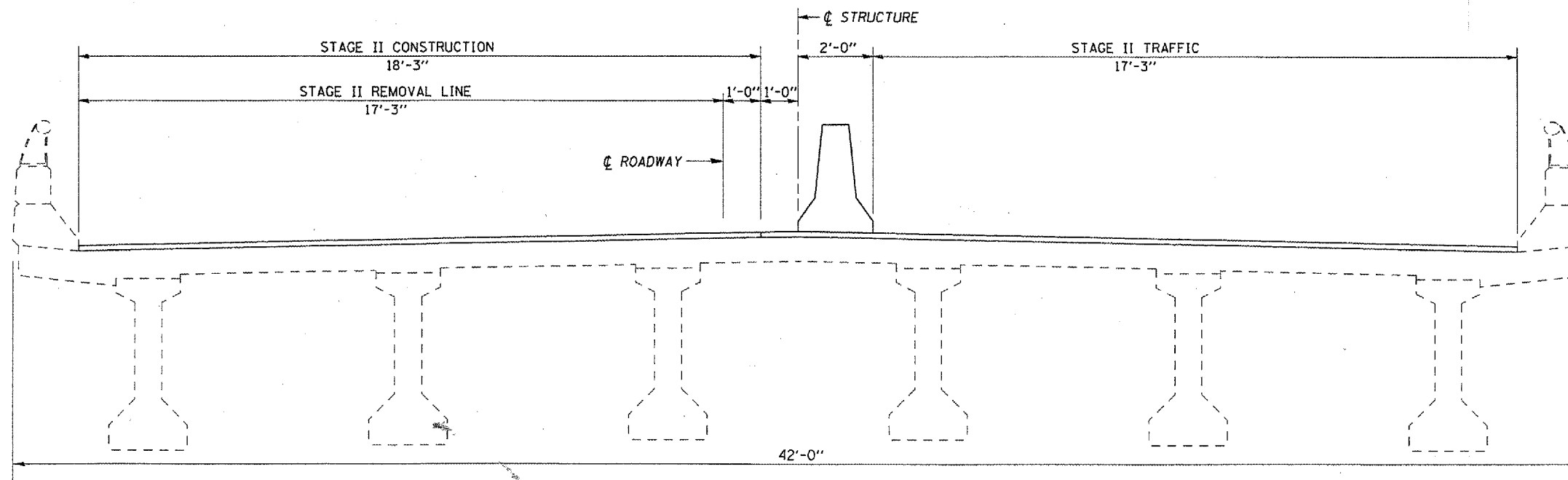
**S.N. 057-0121**



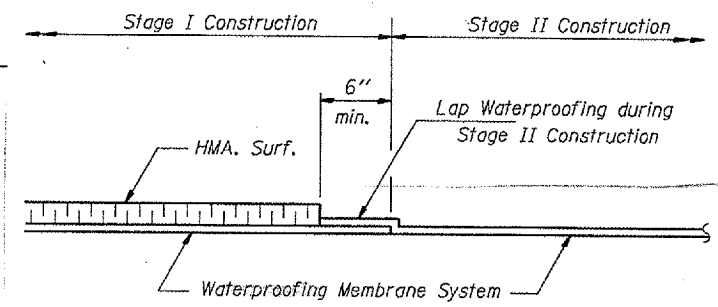
WESTBOUND (LOOKING WEST)

**STAGE II CONSTRUCTION**

**S.N. 057-0121**



WESTBOUND (LOOKING WEST)



**WATERPROOFING TREATMENT AT STAGE CONSTRUCTION**

PLOT DATE: 8/16/2007  
 FILE NAME: c:\projects\58187\157-21B&57-22B&BDR.dgn  
 PLOT SCALE: 1/8"=1'-0" / IN.  
 USER NAME: collierb

ILLINOIS DEPARTMENT OF TRANSPORTATION  
**STAGE CONSTRUCTION**  
 F.A.I. ROUTE 74  
 SECTION (57-21B&57-22B)&BDR  
 MCLEAN COUNTY  
 S.N. 057-0121  
 SCALE: NA  
 DATE: 03/22/07  
 DRAWN BY: JRP  
 CHECKED BY: