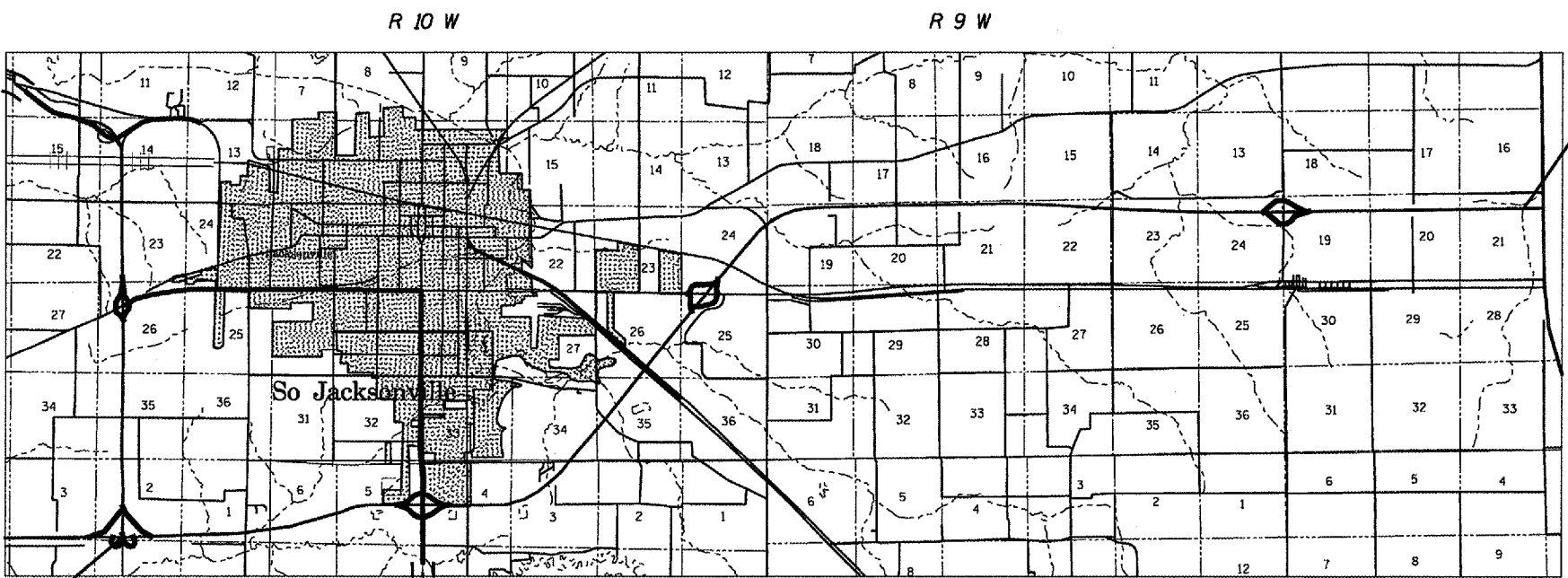
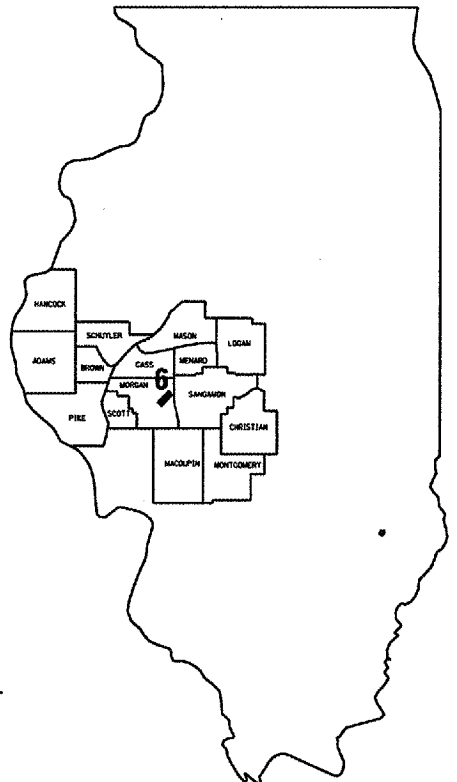


FOR INDEX OF SHEETS AND HIGHWAY
STANDARDS, SEE SHEET 2.

STATE OF ILLINOIS
DEPARTMENT OF TRANSPORTATION
DIVISION OF HIGHWAYS

**PLANS FOR PROPOSED
CONTRACT MAINTENANCE**
FAI ROUTE 72 (I-72)
SECTION D-6 JOINT REPLACE 2008
MORGAN COUNTY
C96-104-08 / D96-004-08



END PROJECT
STA. 185+00

LOCATION OF SECTION INDICATED THUS: ■

STATE OF ILLINOIS
DEPARTMENT OF TRANSPORTATION
DIVISION OF HIGHWAYS

SUBMITTED Aug 24 2007

[Signature]
DEPUTY DIRECTOR OF HIGHWAYS, REGION FOUR ENGINEER

October 12 2007

Eric E. Harn
Interim ENGINEER OF DESIGN AND ENVIRONMENT

October 12 2007

Milton R. Sees, P.E.
DIRECTOR, DIVISION OF HIGHWAYS

BEGIN PROJECT
STA. 46+51

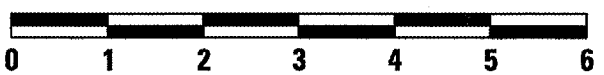
SEE PLAN SHEET FOR LOCATIONS AND STATION EQUATIONS

J. U. L. I. E.
JOINT UTILITY LOCATION INFORMATION FOR EXCAVATION
1-800-892-0123

PLANS & CONTRACT TECHNICIAN: TIMOTHY SHARP
PHONE: (217) 782-7743

CONTRACT NO. 72B48

NET LTH OF SEC 93,535.45 FT = 17.715 MILES



SCALE: 1" = 2 MILES

INDEX

1	COVER
2	INDEX / STDS / SIGNATURES
3	QUANTITIES
4	TYPICAL SECTION
5	PLAN
6-7	JOINT DETAILS

STANDARDS

701101-01
701400-02
701401-03
701406-04
701411-03
702001-06

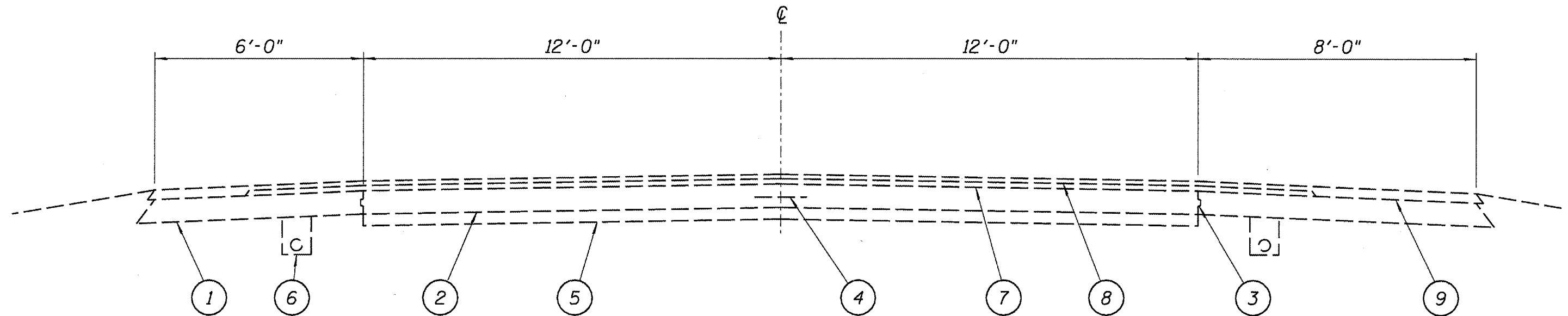
STATE OF ILLINOIS DEPARTMENT OF TRANSPORTATION DIVISION OF HIGHWAYS DISTRICT 6	
EXAMINED	Aug 24 20 07 <i>Louis J. Harris</i> ENGINEER OF OPERATIONS
EXAMINED	Aug 20 20 07 <i>WBF</i> ENGINEER OF PROGRAM IMPLEMENTATION
EXAMINED	Aug 22 20 07 <i>WBF</i> ENGINEER OF PROGRAM DEVELOPMENT

INDEX / STDS / SIGNATURES
FAI 72 (I-72)
SECTION D-6 JOINT REPLACE 2008
MORGAN COUNTY

S U M M A R Y O F Q U A N T I T I E S

CODE NO.	ITEM	UNIT	100% STATE
			SFTY-2A TOTAL QTY
67100100	MOBILIZATION	L SUM	1
70100420	TRAFFIC CONTROL AND PROTECTION, STANDARD 701411	EACH	1
70100700	TRAFFIC CONTROL AND PROTECTION, STANDARD 701406	L SUM	1
70100800	TRAFFIC CONTROL AND PROTECTION, STANDARD 701401	L SUM	1
Z0021600	EXPANSION JOINT 4"	FOOT	150
Z0043900	PREFORMED JOINT FILLER	FOOT	150

QUANTITIES
FAI 72 (I-72)
SECTION D-6 JOINT REPLACE 2008
MORGAN COUNTY



STRUCTURE NUMBERS
069-0036, 069-0038, 069-0040, 069-0041,
069-0042, 069-0043, 069-0055, 069-0056 & 069-0059

L E G E N D

- 1 - EXIST. STABILIZED SHOULDERS 8"
- 2 - EXIST. P.C.C. PAVEMENT 8"
- 3 - EXIST. KEYWAY
- 4 - EXIST. LONGITUDINAL JOINT
- 5 - EXIST. STABILIZED SUB-BASE 4"
- 6 - EXIST. SUB-SURFACE DRAINS
- 7 - EXIST. BIT. BINDER. CRSE., MIX B CLASS I 1³/₄"
- 8 - EXIST. BIT. SURF. CRSE., MIX D, CLASS I 1¹/₂"
- 9 - EXIST. BIT. SHOULDER 3"

TYPICAL SECTION
FAI 72 (I-72)
SECTION D-6 JOINT REPLACE 2008
MORGAN COUNTY

STATION EQUATION
 $1228+25.7bk=18+96.57ah$

STRUCTURE NO:
069-0043 W.B. &
069-0042 E.B.

STRUCTURE NO:
069-0049 W.B. &
069-0048 E.B.

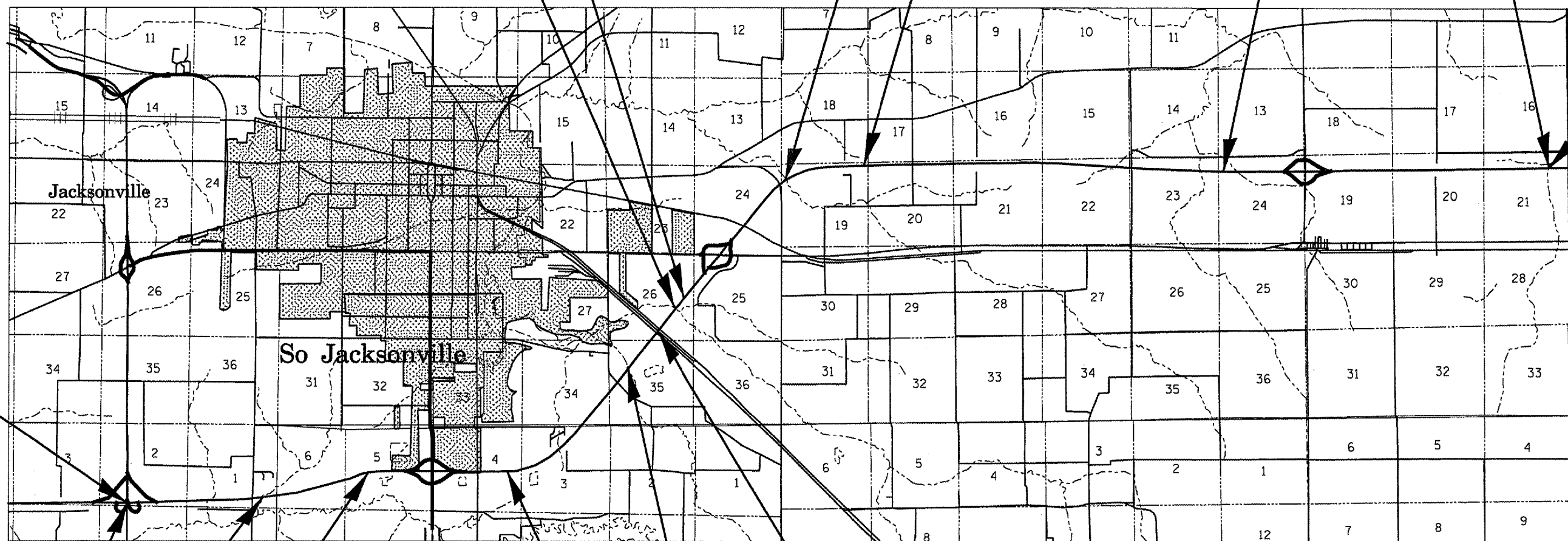
STATION EQUATION
 $134+34.95bk=134+76.99ah$

STATION EQUATION
 $373+60.9bk=370+71.08ah$

STRUCTURE NO:
069-0059 W.B. &
069-0060 E.B.

END PROJECT
STA. 185+00

BEGIN PROJECT
STA. 46+51



STRUCTURE NO:
069-0055 W.B. &
069-0056 E.B.

STRUCTURE NO:
069-0057 W.B. &
069-0058 E.B.

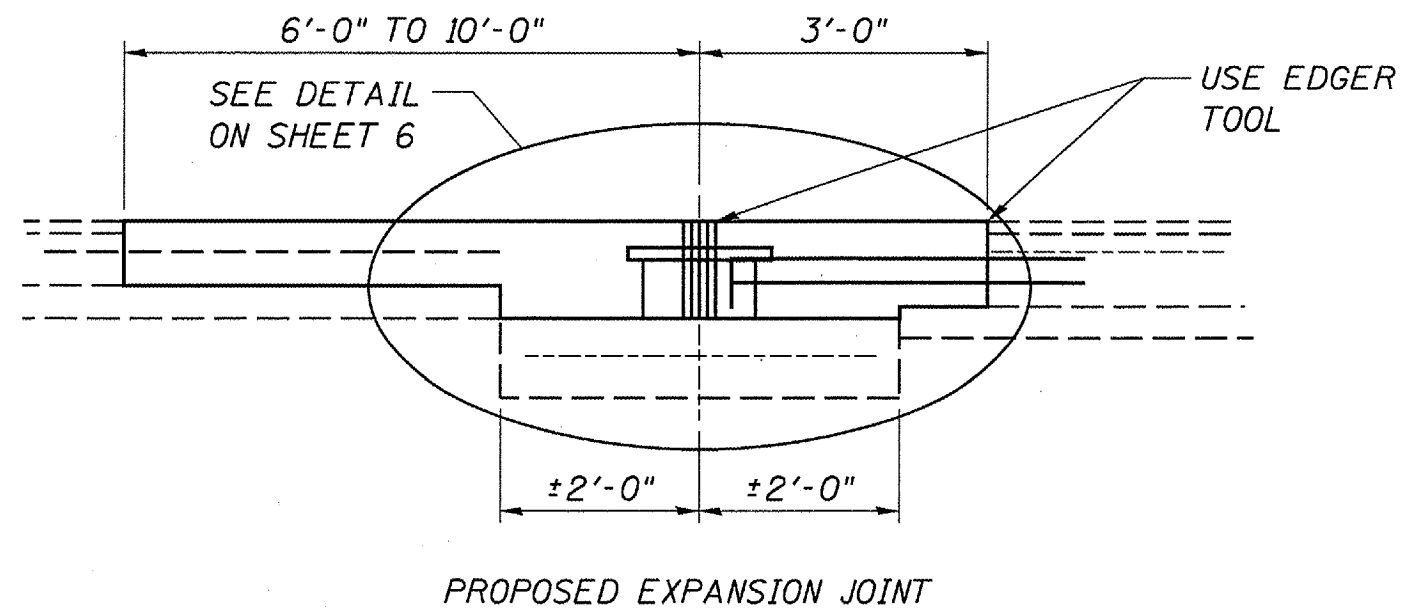
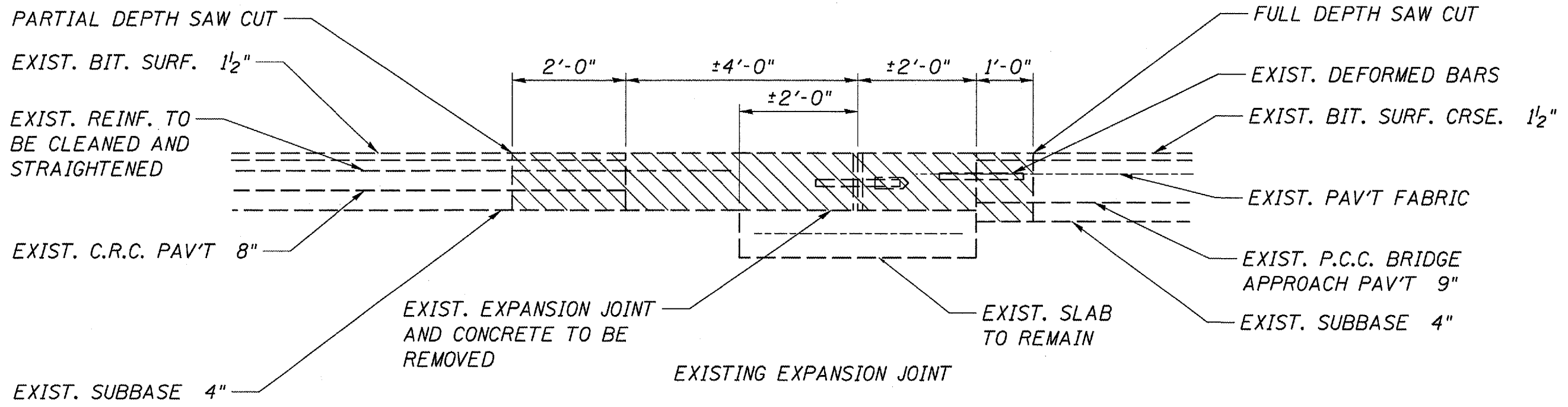
STATION EQUATION
 $212+67.3bk=999+00.00ah$

STRUCTURE NO:
069-0041 W.B. &
069-0040 E.B.

STRUCTURE NO:
069-0039 W.B. &
069-0038 E.B.

STRUCTURE NO:
069-0036 W.B. &
069-0035 E.B.

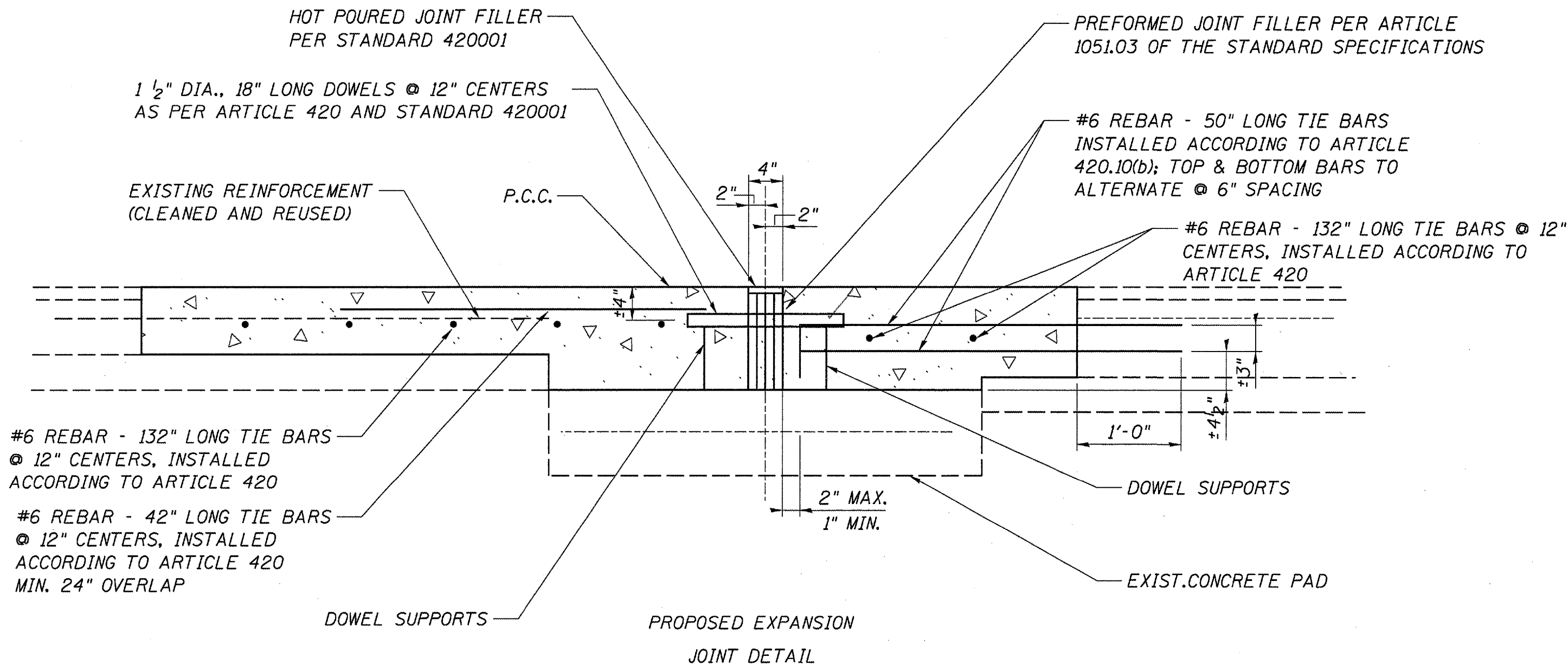
PLAN
FAI 72 (I-72)
SECTION D-6 JOINT REPLACE 2008
MORGAN COUNTY



JOINT REPLACEMENT SCHEDULE		
STRUCTURE NO.	STATION	
069-0036	1050+20	WESTBOUND DRIVING LANE
069-0038	1169+10	EASTBOUND DRIVING LANE
069-0040	1202+35	EASTBOUND DRIVING LANE
069-0041	1197+00	WESTBOUND DRIVING LANE
069-0042	1219+13	EASTBOUND PASSING LANE
069-0043	1215+73	WESTBOUND DRIVING LANE
069-0055	46+51	WESTBOUND DRIVING LANE
069-0055	51+32	WESTBOUND DRIVING LANE
069-0056	46+51	EASTBOUND EXIT RAMP
069-0056	51+32	EASTBOUND PASSING LANE
069-0056	51+32	EASTBOUND DRIVING LANE
069-0059	185+00	WESTBOUND DRIVING LANE

JOINT DETAILS
FAI 72 (I-72)
SECTION D-6 JOINT REPLACE 2008
MORGAN COUNTY

Rev.



JOINT DETAILS
FAI 72 (I-72)
SECTION D-6 JOINT REPLACE 2008
MORGAN COUNTY