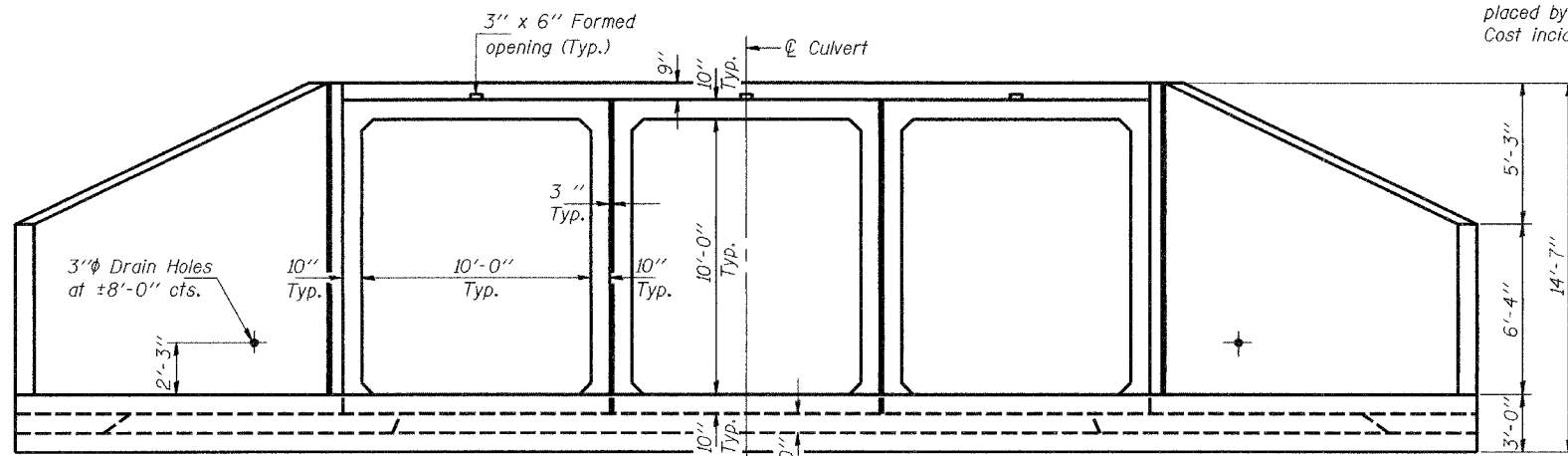


Notes: Bars indicated thus 3 x 2-#4 etc. indicates 3 line of bars with 2 lengths per line.  
 Reinforcement bars designated (E) shall be epoxy coated.  
 Cost of Class X Concrete and Reinforcement Bars, Epoxy Coated is incidental to "Precast Concrete Box Culverts."

STATE OF ILLINOIS  
 DEPARTMENT OF TRANSPORTATION

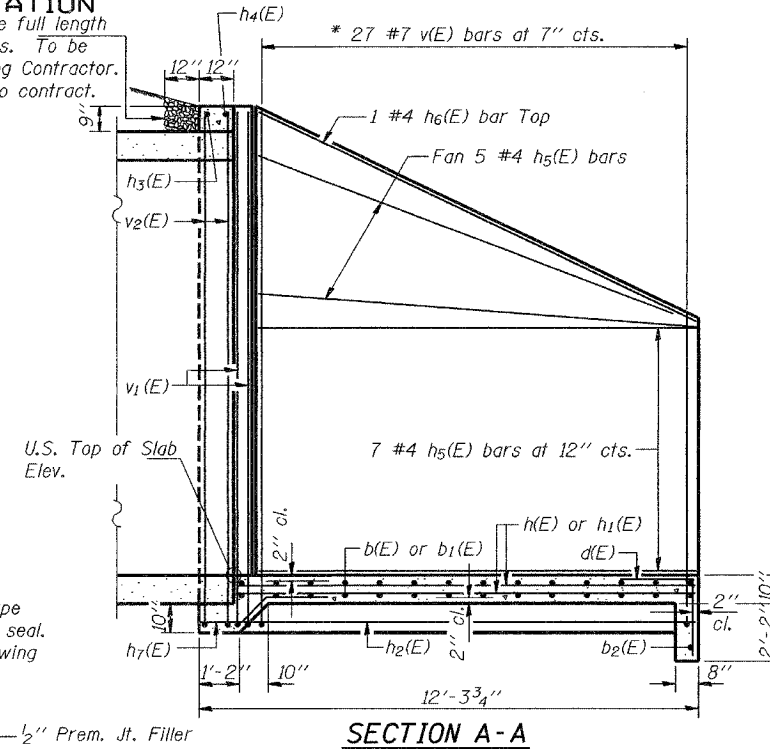
ROUTE NO.	SECTION	COUNTY	LIST NO.	SHEET NO.	SHEET NO. 2
710	(114,115) 125-2 etc	SHELBY & MOULTRIE	77	40	6 SHEETS
FED. ROAD DIST. NO. 7	BILLINGS	FED. AID PROJECT-			

Contract 90773

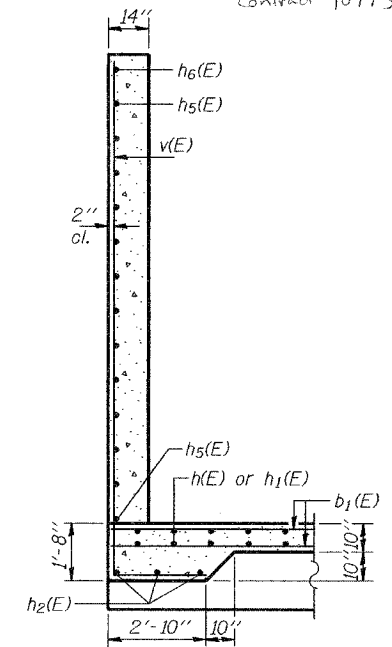


END ELEVATION

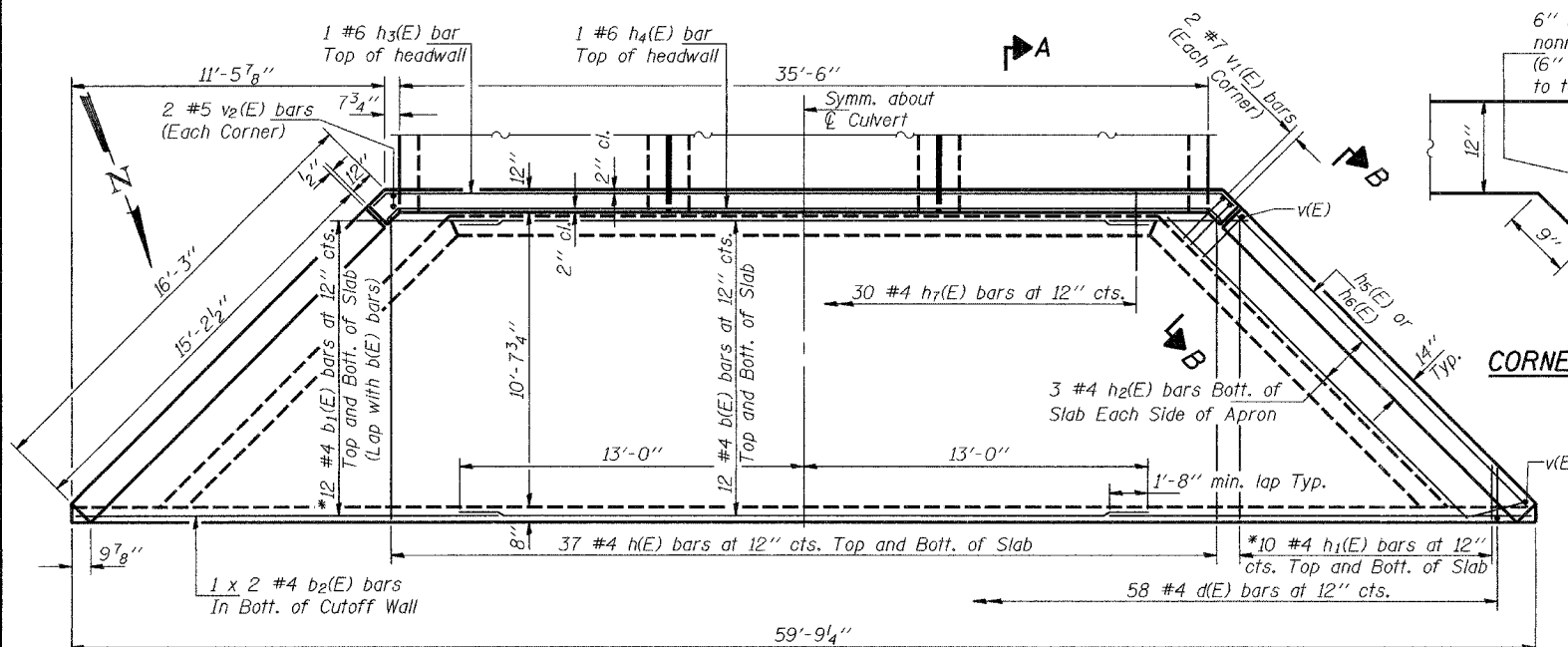
Course aggregate full length of both headwalls. To be placed by Grading Contractor. Cost incidental to contract.



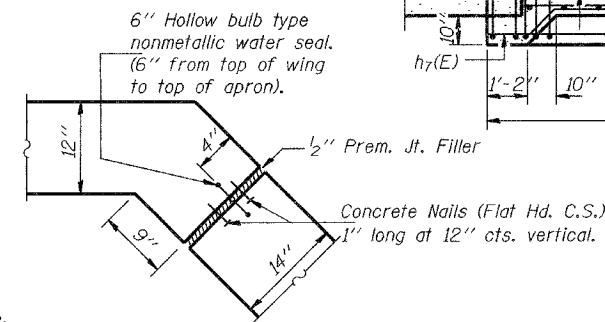
SECTION A-A



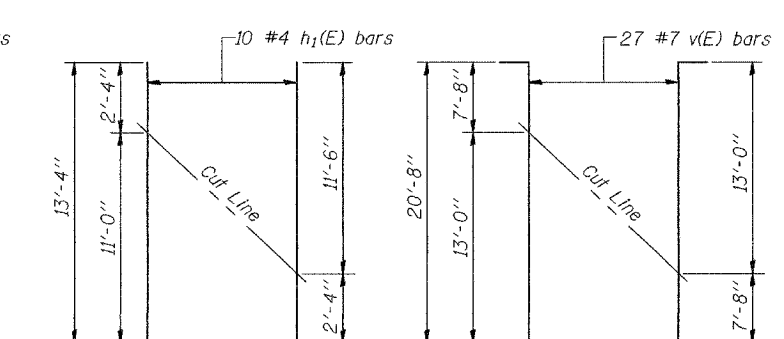
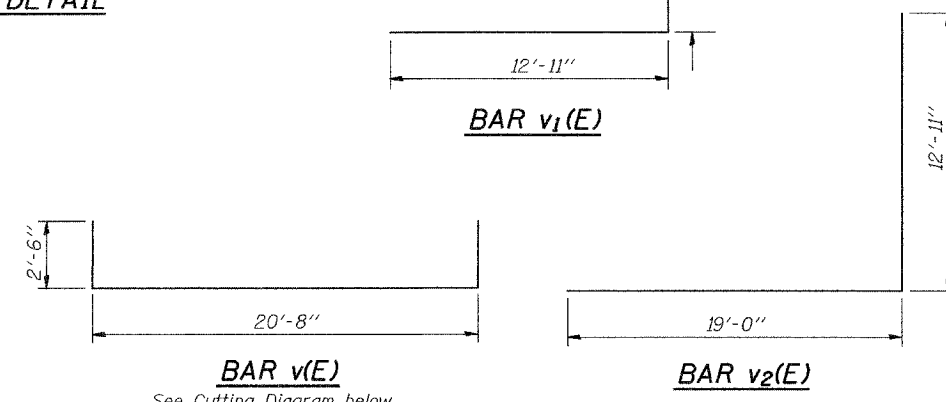
SECTION B-B



PLAN OF APRON



CORNER DETAIL



\* FIELD CUTTING DIAGRAMS

Order b1(E), h1(E) and v(E) bars full length. Cut to fit as shown and use remainder of bars in opposite side of apron or opposite wing.

BILL OF MATERIAL

ONE END SECTION  
 For information only

Bar	No.	Size	Length	Shape
b1(E)	24	#4	26'-0"	—
b2(E)	2	#4	30'-7"	—
d(E)	58	#4	4'-9"	┌
h(E)	74	#4	12'-0"	—
h1(E)	20	#4	13'-4"	—
h2(E)	6	#4	16'-0"	—
h3(E)	1	#6	38'-4"	—
h4(E)	1	#6	37'-0"	—
h5(E)	24	#4	14'-10"	—
h6(E)	2	#4	15'-9"	—
h7(E)	30	#4	3'-8"	—
v(E)	27	#7	25'-8"	┌
v1(E)	4	#7	14'-11"	┌
v2(E)	4	#5	31'-11"	┌
Reinforcement Bars		Pound	5000	
Epoxy Coated		Cu. Yd.	40.7	

ITEM	UNIT	QUANT.
Box Culvert End Section	Each	2

DESIGN STRESSES

fy = 60,000 psi  
 f'c = 3,500 psi

DESIGNED DF
CHECKED JDC
DRAWN
CHECKED