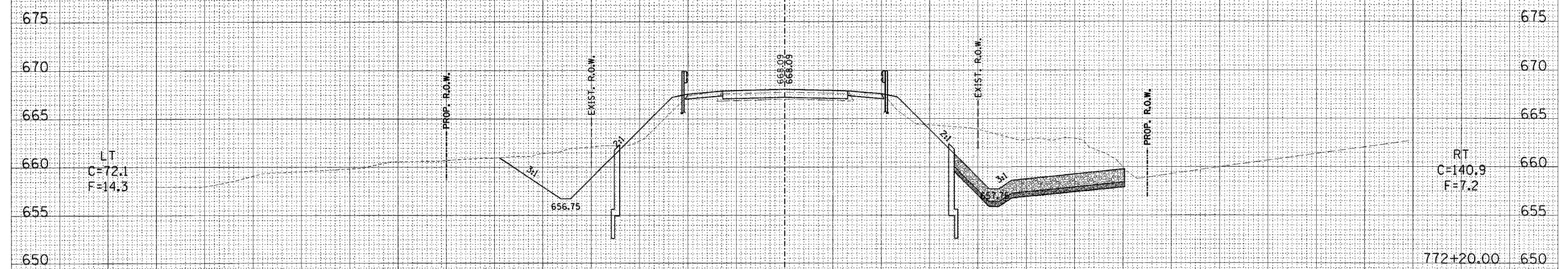
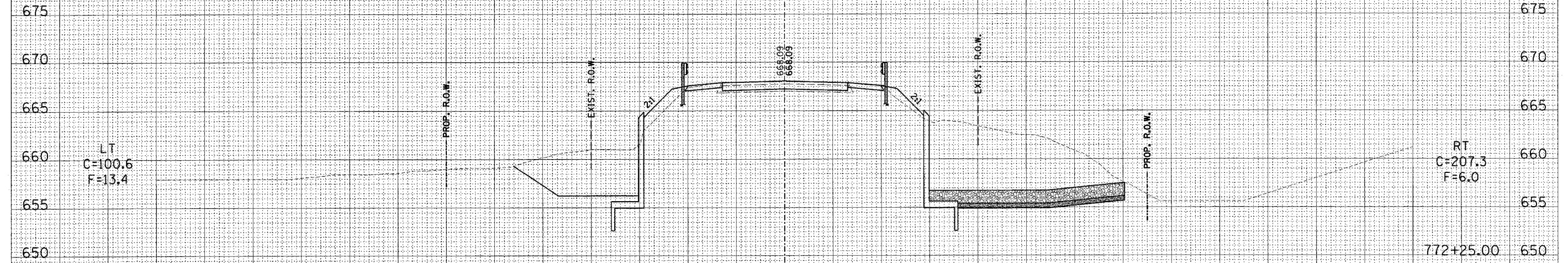


120 110 100 90 80 70 60 50 40 30 20 10 0 10 20 30 40 50 60 70 80 90 100 110

F.A.P. R.T.E.	SECTION	COUNTY	TOTAL SHEETS	SHEET NO.
770	(115,116)BR	SHELBY & MOULTRIE	77	60
STA.		TO STA.		
FED. ROAD DIST. NO.		ILLINOIS	FED. AID PROJECT	
CONTRACT NO.		90773	SCALE	
			HORIZ. 1"=10'	
			VERT. 1"=5'	

DATE	BY
DATE	BY
DATE	BY
DATE	BY
DATE	BY

DATE	BY
DATE	BY
DATE	BY
DATE	BY
DATE	BY



120 110 100 90 80 70 60 50 40 30 20 10 0 10 20 30 40 50 60 70 80 90 100 110 120

ILL. RTE 128