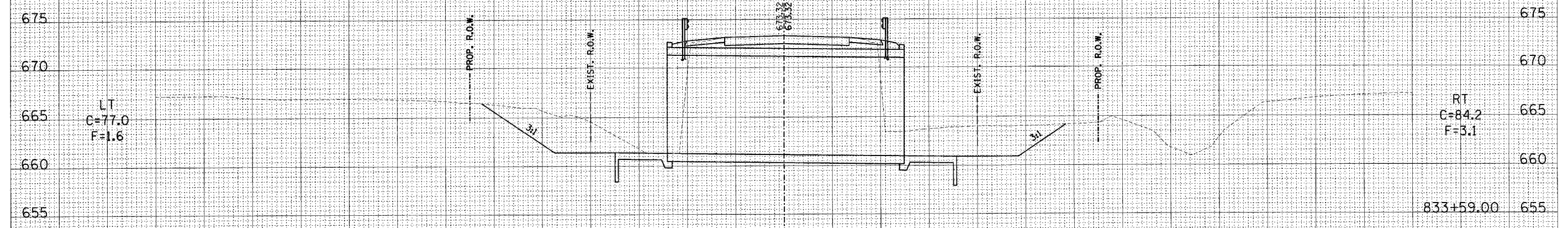


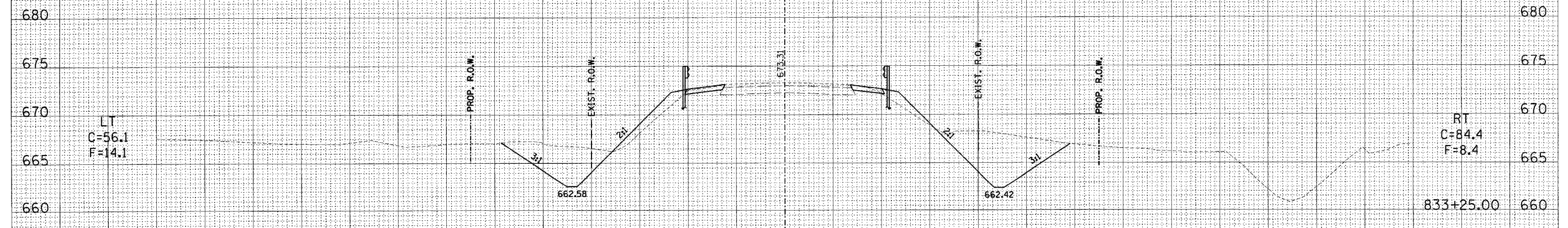
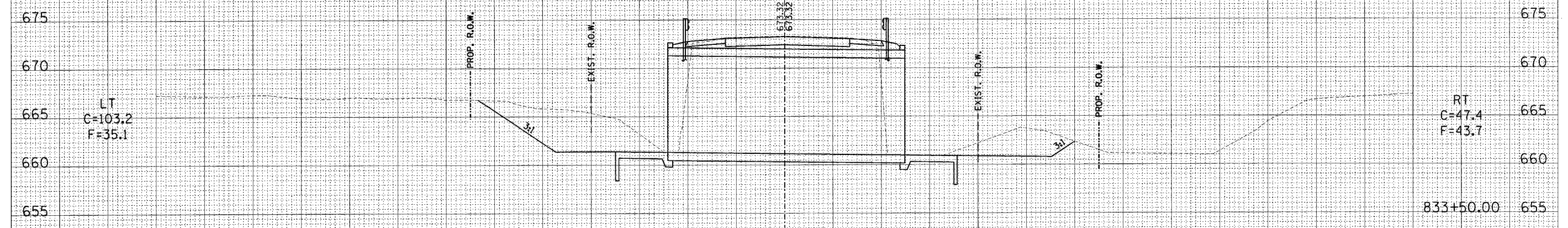
120 110 100 90 80 70 60 50 40 30 20 10 0 10 20 30 40 50 60 70 80 90 100 110

F.A.P. RTE.	SECTION	COUNTY	TOTAL SHEETS	SHEET NO.
770	(115,116)BR	SHELBY & MOULTRIE	77	71
STA.		TO STA.		
FED. ROAD DIST. NO.		ILLINOIS FED. AID PROJECT		
CONTRACT NO. 90773		SCALE		
		HORIZ: 1"=10'		
		VERT: 1"=5'		

FINAL SURVEY	DATE
SURVEYED	BY
NOTE BOOK	
AREAS CHECKED	
NO.	



ORIGINAL SURVEY	DATE
SURVEYED	BY
NOTE BOOK	
AREAS CHECKED	
NO.	



120 110 100 90 80 70 60 50 40 30 20 10 0 10 20 30 40 50 60 70 80 90 100 110 120

ILL RTE 128