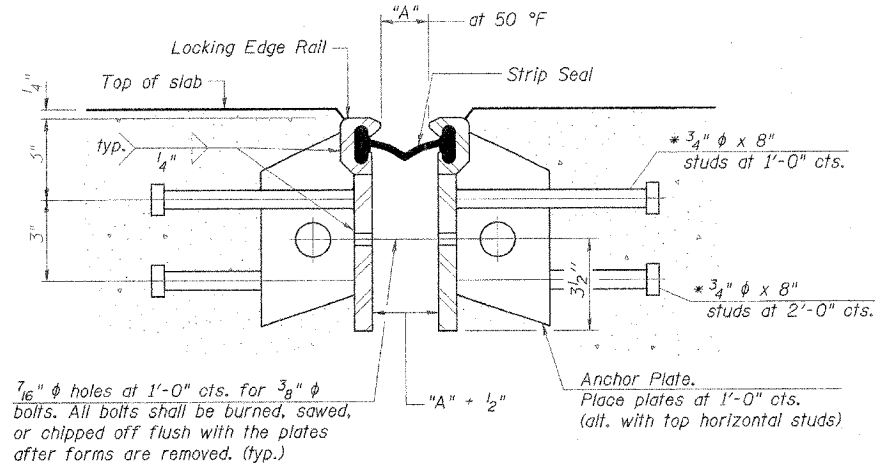


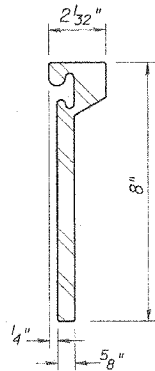
Required Strip Seal rated movement	"A"
1"	1 1/8"
2"	1 3/4"



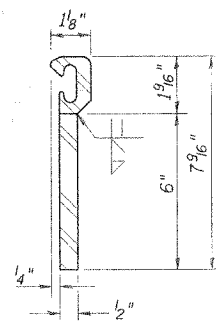
SECTION THRU ROLLED RAIL EXP. JOINT
(896 Studs Required)

* Granular or solid flux filled headed studs conforming to Article 1006.32 of the Std. Specs., automatically end welded.

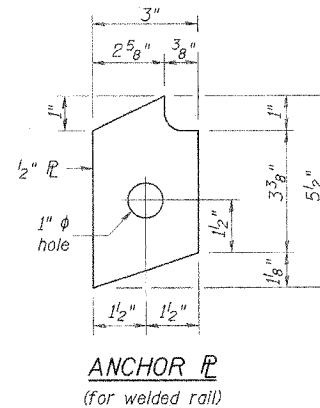
SECTION THRU WELDED RAIL EXP. JOINT
(556 Studs Required)
(340 Anchor Plates Required)



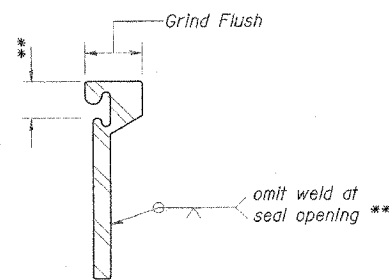
ROLLED (EXTRUDED) RAIL



WELDED RAIL

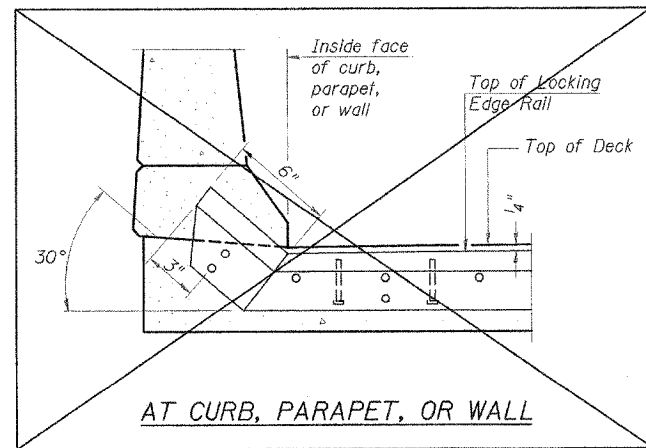


ANCHOR PLATE
(for welded rail)



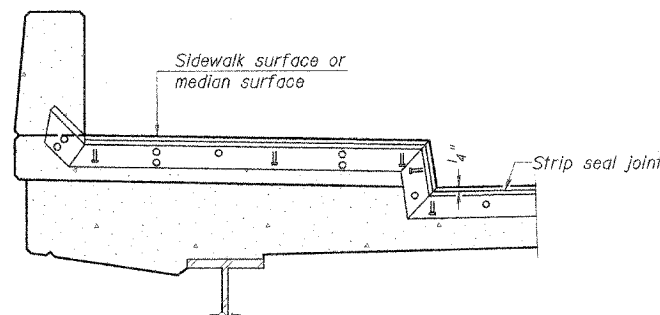
LOCKING EDGE RAIL SPLICE
The inside of the locking edge rail groove shall be free of weld residue.

LOCKING EDGE RAILS



TYPICAL END TREATMENTS

BRIDGE JOINT SYSTEM - EXPANSION
(ALTERNATE-STRIP SEAL)



AT SIDEWALK OR MEDIAN*

* Shorter plates with a single row of studs at 12" centers may be necessary on medians which are shallower than 9". See manufacturer's recommendation.

NOTES:

1. The strip seal shall be made continuous and shall have a minimum thickness of 1/4". The configuration of the strip seal shall match the configuration of the Locking Edge Rails.
2. The height and thickness of the Locking Edge Rails shown are minimum dimensions. The actual configuration of the Locking Edge Rails and matching strip seal may vary from manufacturer to manufacturer. Flanged edge rails will not be allowed.
3. Locking Edge Rails may be spliced at slope discontinuities and stage construction joints.
4. The manufacturer's recommended installation methods shall be followed.
5. The joint opening and deck dimensions detailed on the superstructure are based on a preformed joint seal. If the contractor elects to use the alternate strip seal joint, the opening and deck dimensions shall be modified according to the dimensions detailed on this sheet. Required modifications shall be made at no additional cost to the State.

REVISIONS	
NAME	DATE

ILLINOIS DEPARTMENT OF TRANSPORTATION
BRIDGE JOINT SYSTEM - 2
F.A.P. ROUTE 805
SECTION 122VBR-1
ST. CLAIR COUNTY
ILLINOIS ROUTE 161 OVER METRO-LINK
STATION 69+96.56 S.N. 082-0091
SCALE: NONE DRAWN BY: GLD
DATE: 7/03/06 CHECKED BY: CBR



L:\DOT\0406680\work\10-06-06\5-DRAW\Sheets\REVISED\CONV\STAGING\CHANGE\BR_JOIN1_515.dwg 7/2/2006

EJ-BJS