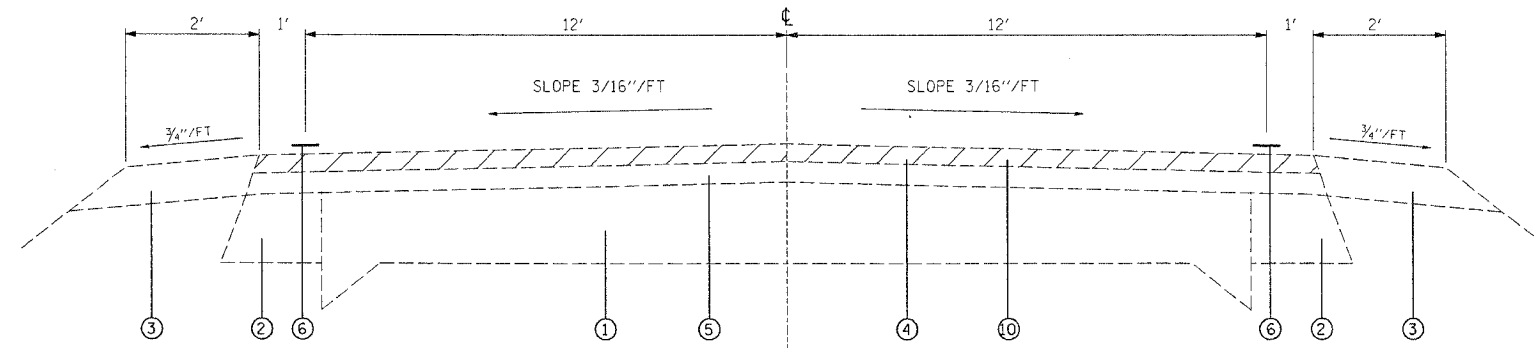
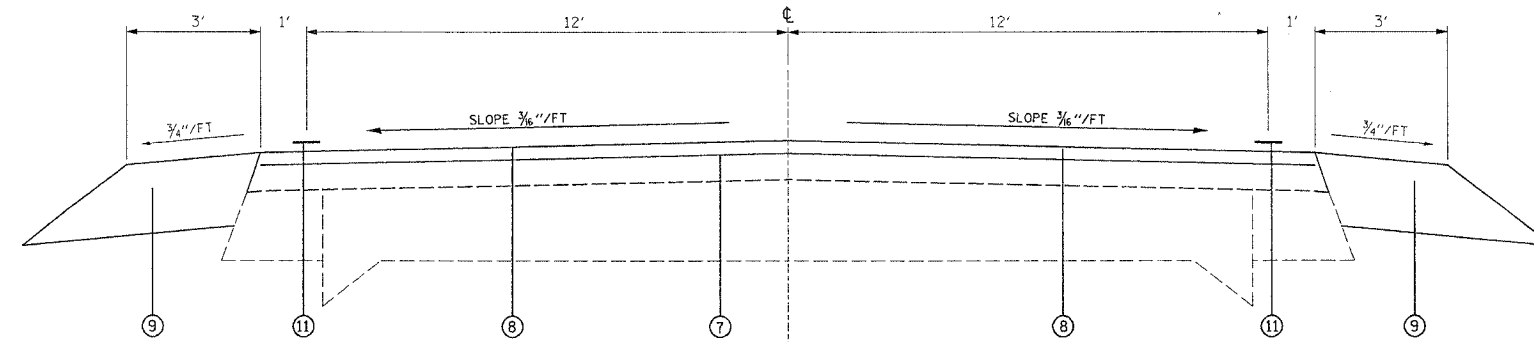


F.A.P. RTE.	SECTION	COUNTY	TOTAL SHEETS	SHEET NO.
329	126BR-1	RANDOLPH	27	5
STA.		TO STA.		
FED. ROAD DIST. NO.		ILLINOIS FED. AID PROJECT		
CONTRACT NO. 76898				



**EXISTING TANGENT SECTION**  
 STA. 717+73.5 TO STA. 718+13.5  
 STA. 719+66.5 TO STA. 720+06.5



**PROPOSED TANGENT SECTION**  
 STA. 717+73.5 TO STA. 718+13.5  
 STA. 719+66.5 TO STA. 720+06.5

**LEGEND**

- ① EXISTING PAVEMENT 9-6-9
- ② EXISTING BASE COURSE WIDENING, 9"
- ③ EXISTING AGGREGATE SHOULDER
- ④ EXISTING BITUMINOUS CONCRETE SURFACE COURSE, 1 1/2"
- ⑤ EXISTING BINDER COURSE, 1 1/2"
- ⑥ EXISTING PAVEMENT MARKING
- ⑦ PROPOSED BITUMINOUS MATERIALS (PRIME COAT)
- ⑧ PROPOSED BITUMINOUS SURFACE COURSE, SUPERPAVE, 1 1/2"
- ⑨ PROPOSED BITUMINOUS SHOULDER, 9"
- ⑩ PROPOSED BITUMINOUS SURFACE REMOVAL, 1 1/2"
- ⑪ PROPOSED PAVEMENT MARKING

REVISIONS	
NAME	DATE

ILLINOIS DEPARTMENT OF TRANSPORTATION  
**TYPICAL SECTIONS**  
 FAP ROUTE 329 (IL 154)  
 SECTION 126BR-1  
 RANDOLPH COUNTY

SCALE: VERT. \_\_\_\_\_  
 HORIZ. \_\_\_\_\_

DATE \_\_\_\_\_ DRAWN BY \_\_\_\_\_  
 CHECKED BY \_\_\_\_\_

PLOT DATE = 9/7/2006  
 PLOT SCALE = 1/8" = 1'-0"  
 REFERENCE = #REF#