

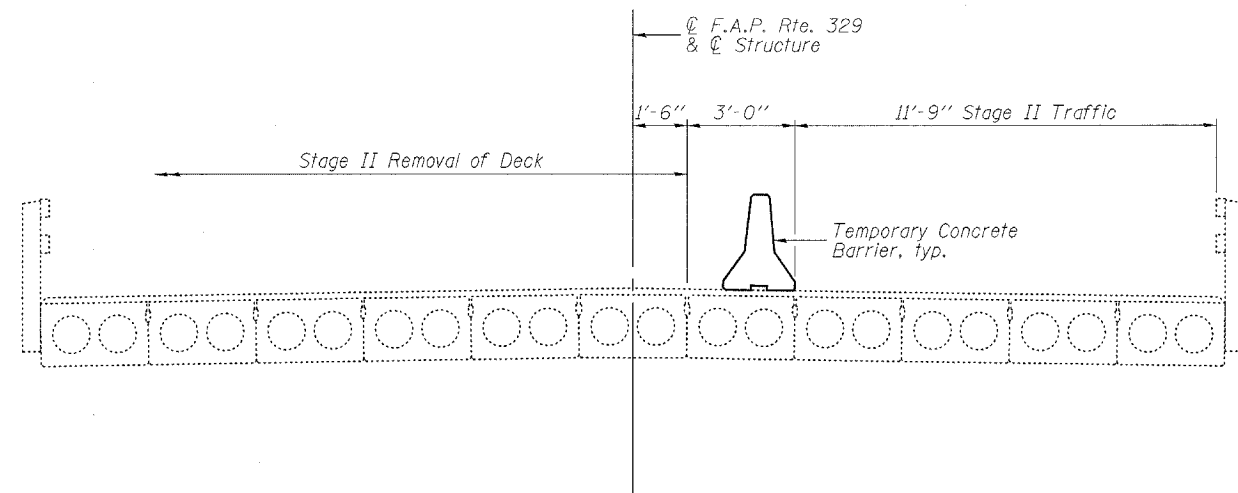
STATE OF ILLINOIS
DEPARTMENT OF TRANSPORTATION

ROUTE NO.	SECTION	COUNTY	TOTAL SHEETS	SHEET NO.
F.A.P. 329	126BR-1	RANDOLPH	27	16
FED. ROAD DIST. NO. 7	ILLINOIS	FED. AID PROJECT		

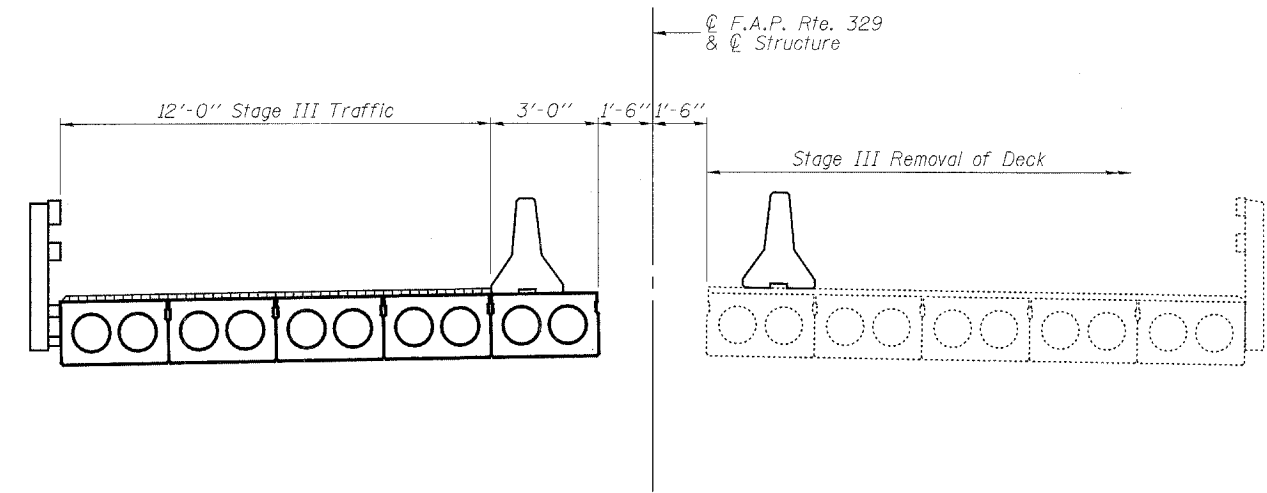
SHEET NO. 2

10 SHEETS

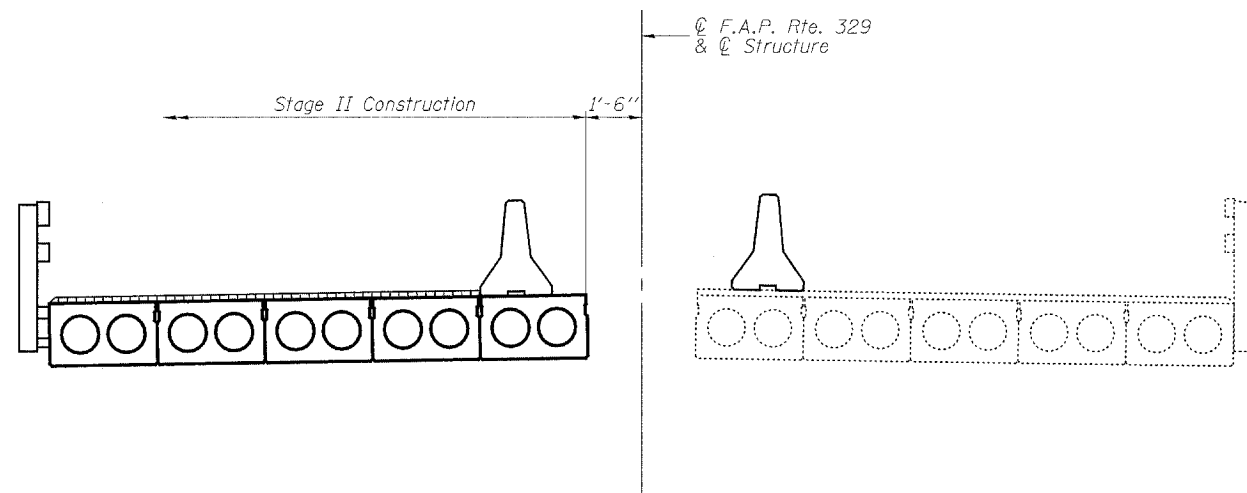
Contract #76898



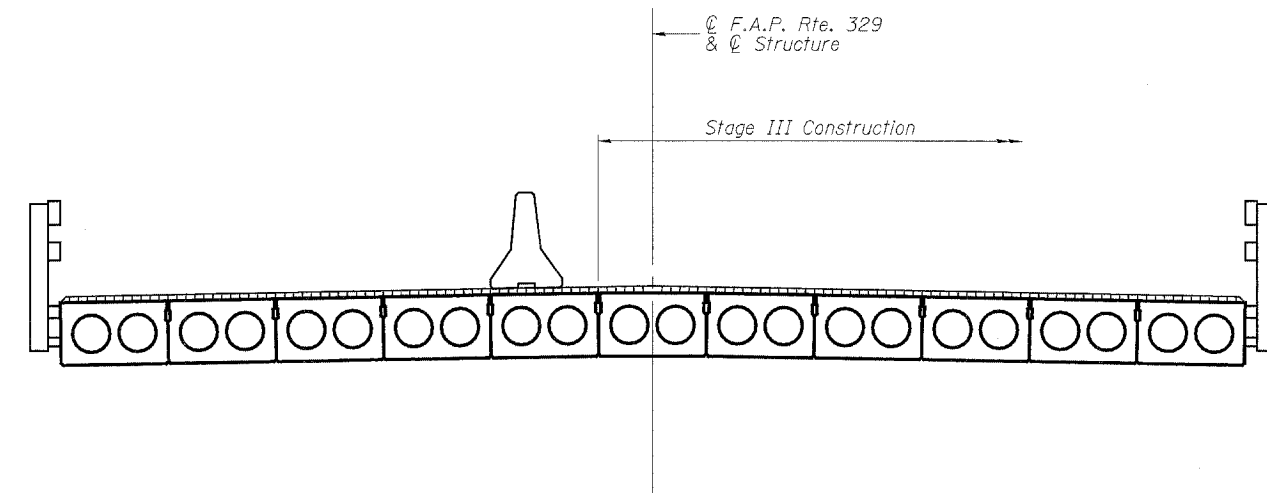
STAGE II REMOVAL



STAGE III REMOVAL



STAGE II CONSTRUCTION



STAGE III CONSTRUCTION

Notes:
 All sections are looking East.
 For quantity of Temporary Concrete Barrier, see roadway plans.
 For details of Temporary Concrete Barrier, see sheet 3 of 10.
 For requirements for lapping waterproofing membrane, see notes on sheet 3 of 10.
 For Stage 1 details, see sheets 1 thru 3 of 3 of Stage I Deck Beam Replacement Details.

DESIGNED	NJM
CHECKED	EML
DRAWN	NJM
CHECKED	EML

HORNER & SHIFRIN, INC.
ENGINEERS ■ ARCHITECTS ■ PLANNERS

STAGE CONSTRUCTION DETAILS
F.A.P. ROUTE 329 - SECTION 126BR-1
RANDOLPH COUNTY
STATION 718+90.00
STRUCTURE NO. 079-0016