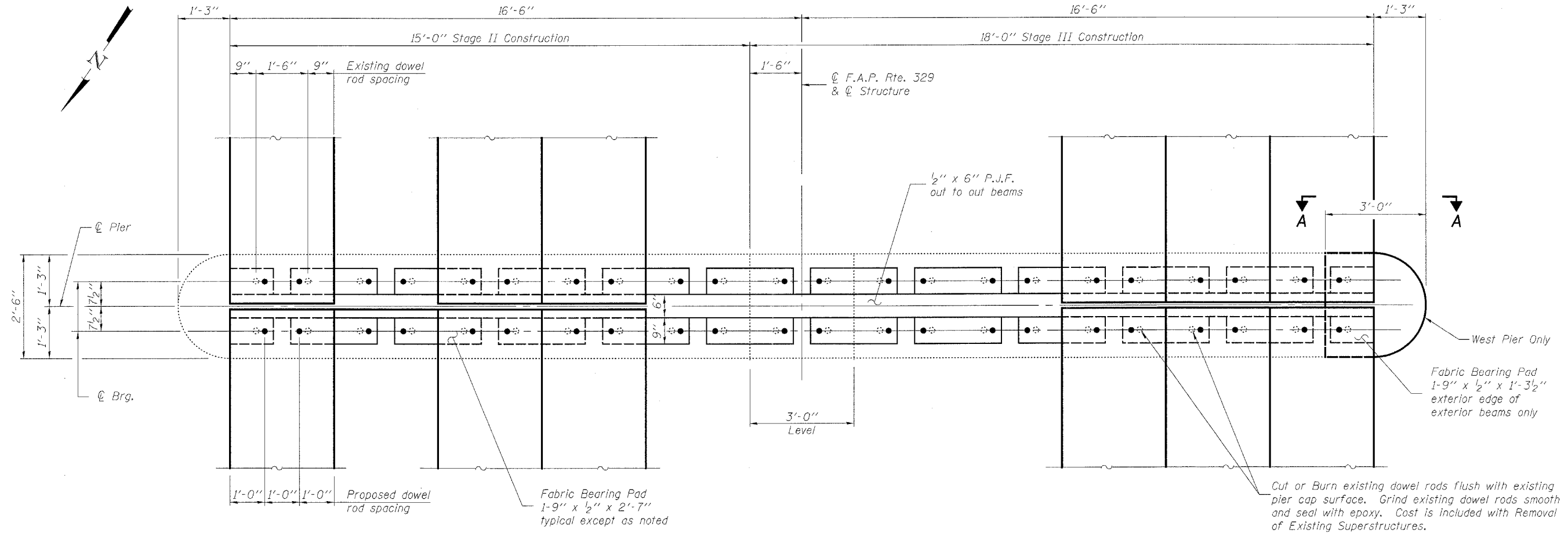


STATE OF ILLINOIS
DEPARTMENT OF TRANSPORTATION

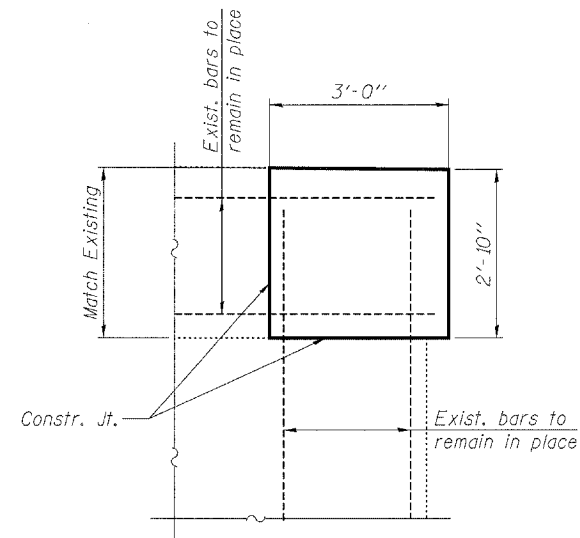
ROUTE NO.	SECTION	COUNTY	TOTAL SHEETS	SHEET NO.	SHEET NO. 9 10 SHEETS
F.A.P. 329	126BR-1	RANDOLPH	27	23	
FED. ROAD DIST. NO. 7	ILLINOIS	FED. AID PROJECT			

Contract #76898



PLAN

(Not all deck beams are shown)
(Bituminous concrete surface course not shown)



VIEW A-A

(Deck Beams, Bituminous concrete surface course not shown)

BILL OF MATERIAL

Item	Unit	Total
Concrete Structures	Cu. Yd.	0.7

Notes:
Concrete Structures shown are to be poured before placement of new deck beams.
For Pier Repair and Concrete Removal details, see sheet 10 of 10.

DESIGNED	NJM
CHECKED	EML
DRAWN	NJM
CHECKED	EML

HORNER & SHIFRIN, INC.
ENGINEERS ■ ARCHITECTS ■ PLANNERS

PIERS
F.A.P. ROUTE 329 - SECTION 126BR-1
RANDOLPH COUNTY
STATION 718+90.00
STRUCTURE NO. 079-0016