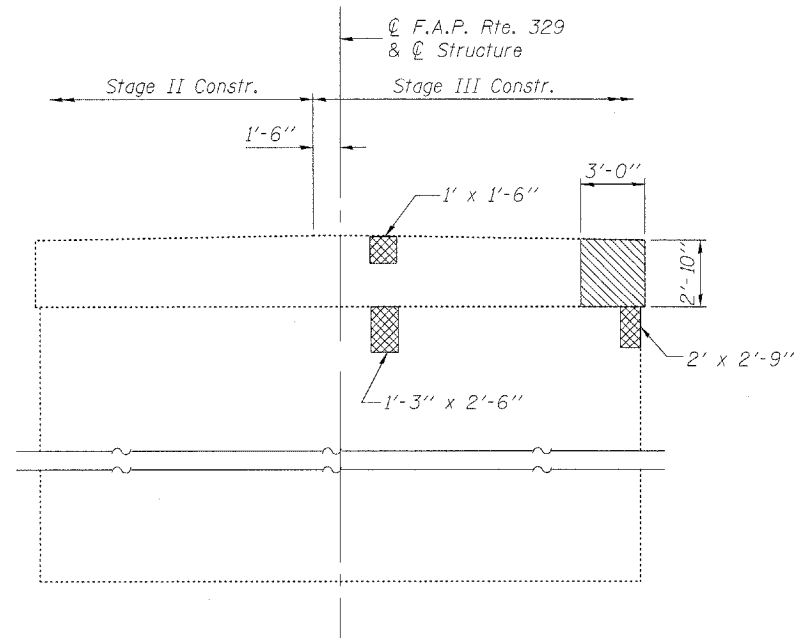


STATE OF ILLINOIS
DEPARTMENT OF TRANSPORTATION

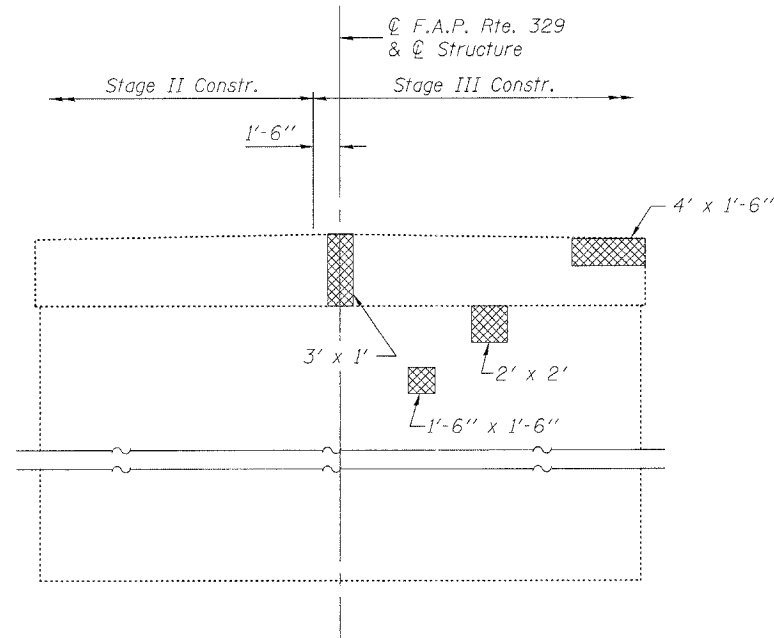
| | | | | |
|-----------------------|----------|------------------|--------------|-----------|
| ROUTE NO. | SECTION | COUNTY | TOTAL SHEETS | SHEET NO. |
| F.A.P. 329 | 126BR-1 | RANDOLPH | 27 | 24 |
| FED. ROAD DIST. NO. 7 | ILLINOIS | FED. AID PROJECT | | |

SHEET NO. 10
10 SHEETS

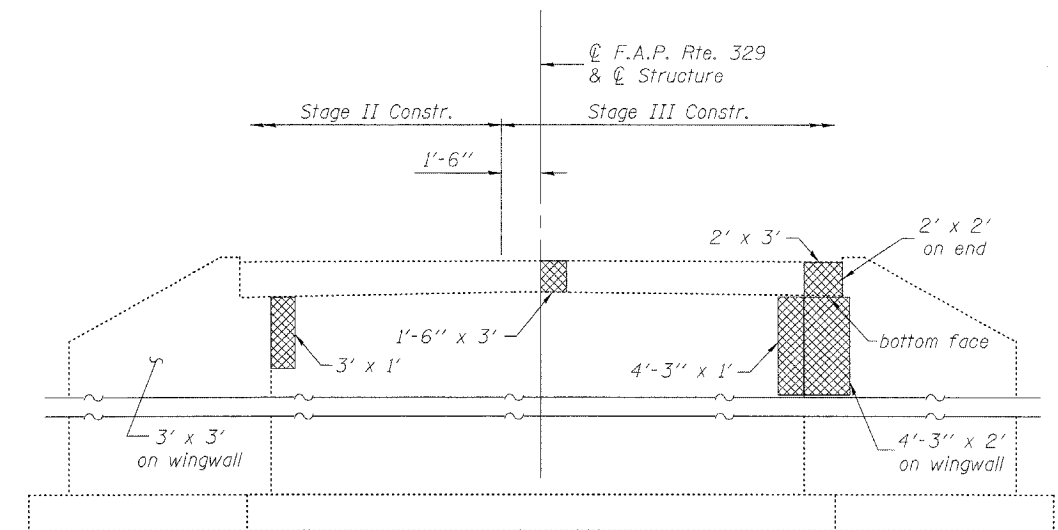
Contract #76898



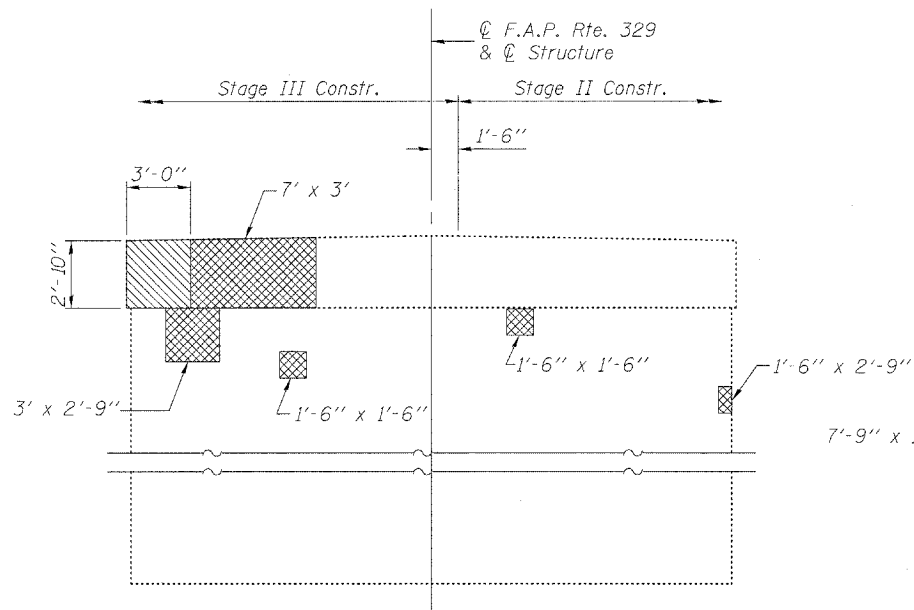
ELEVATION-WEST PIER
(Looking East)



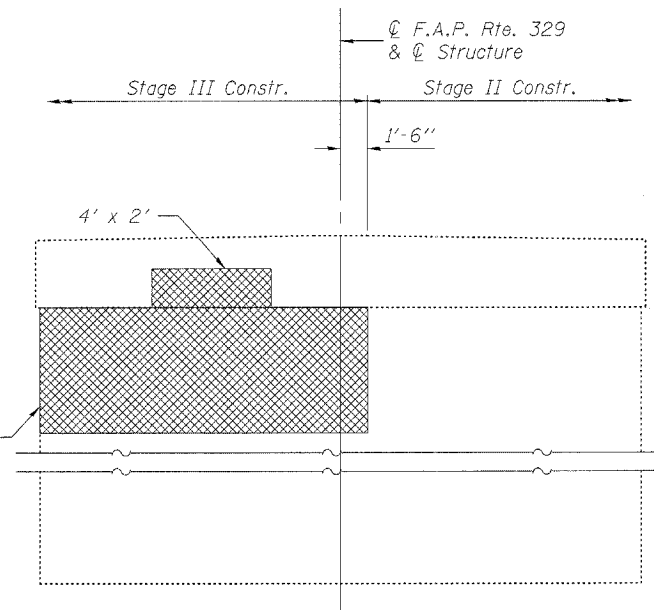
ELEVATION-EAST PIER
(Looking East)



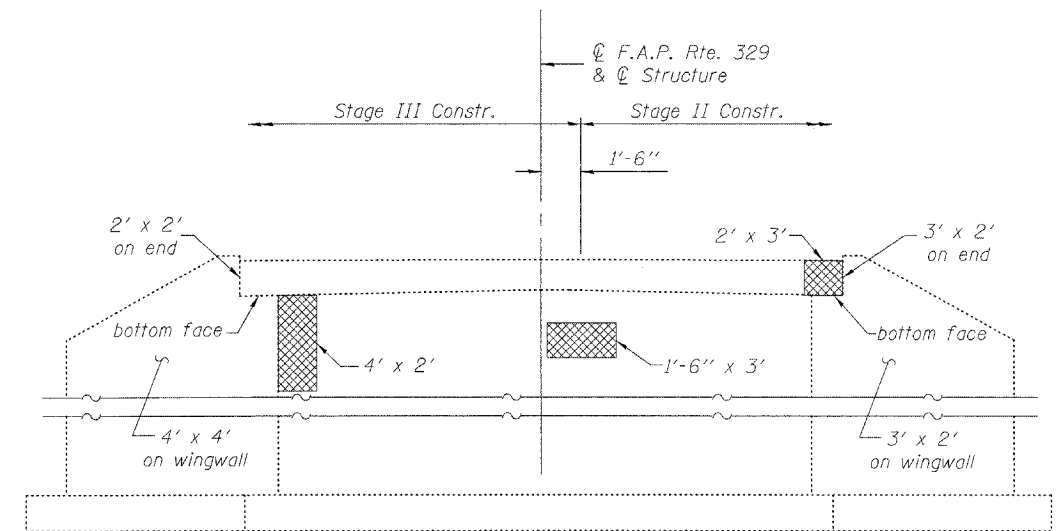
ELEVATION-EAST ABUTMENT
(Looking East)



ELEVATION-WEST PIER
(Looking West)



ELEVATION-EAST PIER
(Looking West)



ELEVATION-WEST ABUTMENT
(Looking West)

Notes:
Existing reinforcement in Concrete Removal shall be cleaned and incorporated into Concrete Structures.
Concrete Removal and Structural Repair of Concrete shall occur during its respective stage construction and prior to placement of the new deck beams.
See Special Provisions for Structural Repair of Concrete.

LEGEND

- Formed Concrete Repair
- Concrete Removal

BILL OF MATERIAL

| Item | Unit | Total |
|--|---------|-------|
| Structural Repair of Concrete (Depth Equal to or less than 5") | Sq. Ft. | 292.8 |
| Concrete Removal | Cu. Yd. | 0.7 |

| | |
|----------|-----|
| DESIGNED | NJM |
| CHECKED | EML |
| DRAWN | NJM |
| CHECKED | EML |

HORNER & SHIFRIN, INC.
ENGINEERS ■ ARCHITECTS ■ PLANNERS

SUBSTRUCTURE REPAIR DETAILS
F.A.P. ROUTE 329 - SECTION 126BR-1
RANDOLPH COUNTY
STATION 718+90.00
STRUCTURE NO. 079-0016