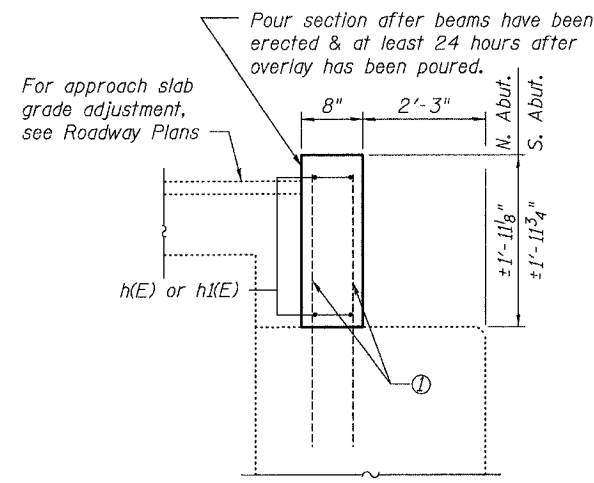


STATE OF ILLINOIS
DEPARTMENT OF TRANSPORTATION

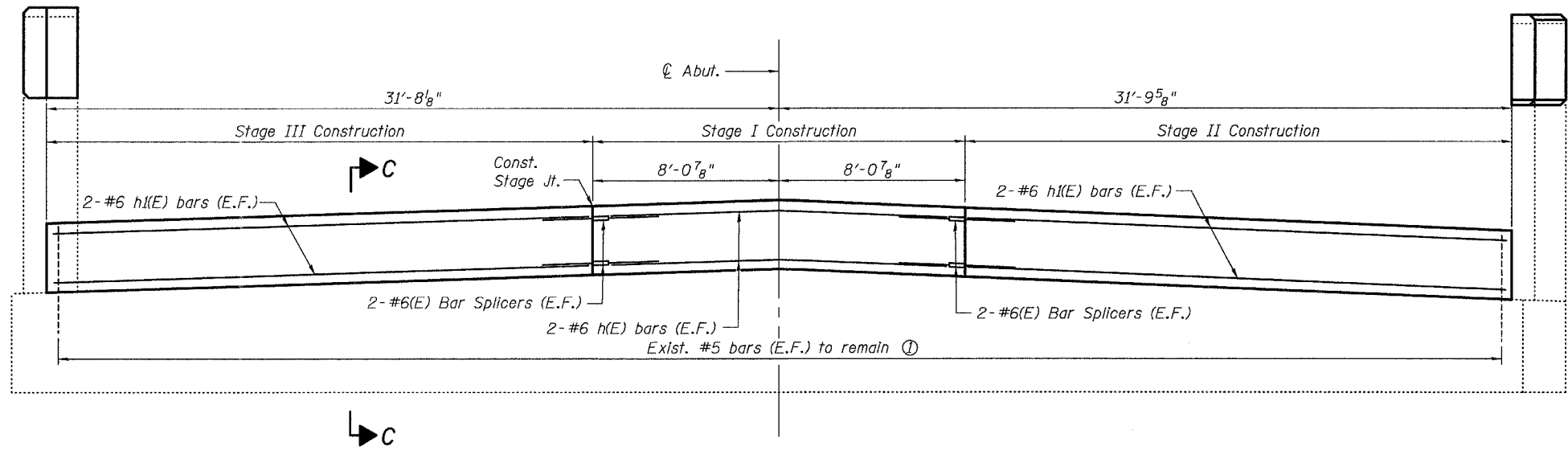
ROUTE NO.	SECTION	COUNTY	TOTAL SHEETS	SHEET
FAP 600	1-1BR-1	ST. CLAIR	29	23
FED. ROAD DIST. NO. 7	ALLIANCE	FED. AID PROJECT		

Contract # 76962



SECTION C-C

(Dimensions at right L's to beam ends)



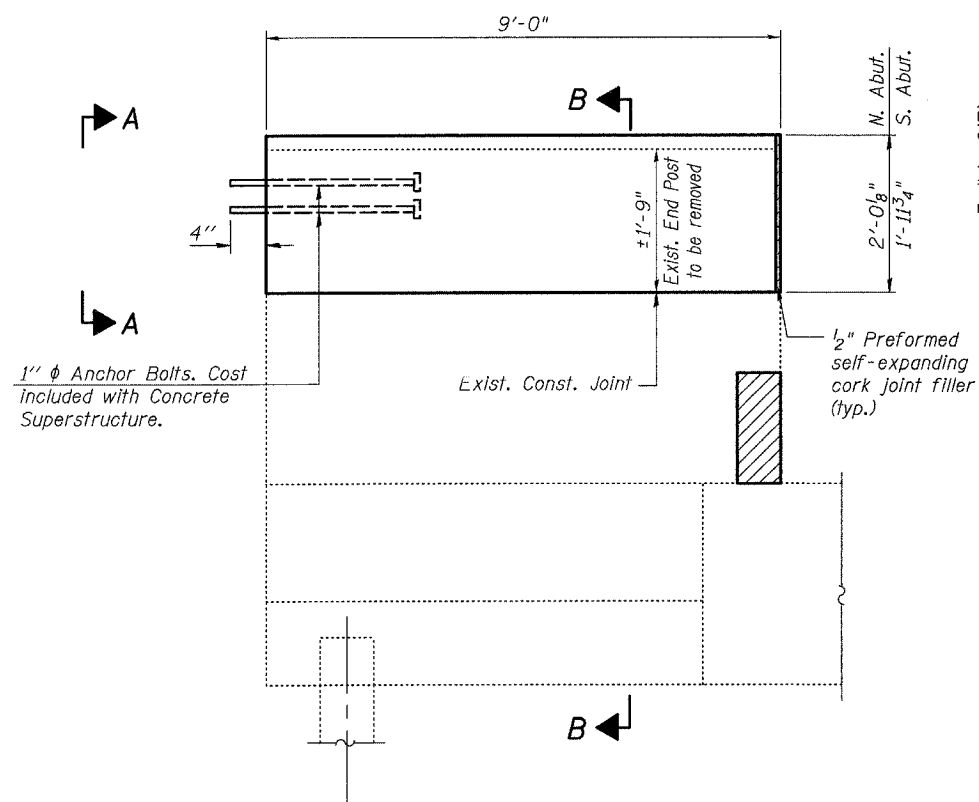
ABUTMENT ELEVATION

(North abutment shown looking north,
South Abutment opposite hand)

BILL OF MATERIAL

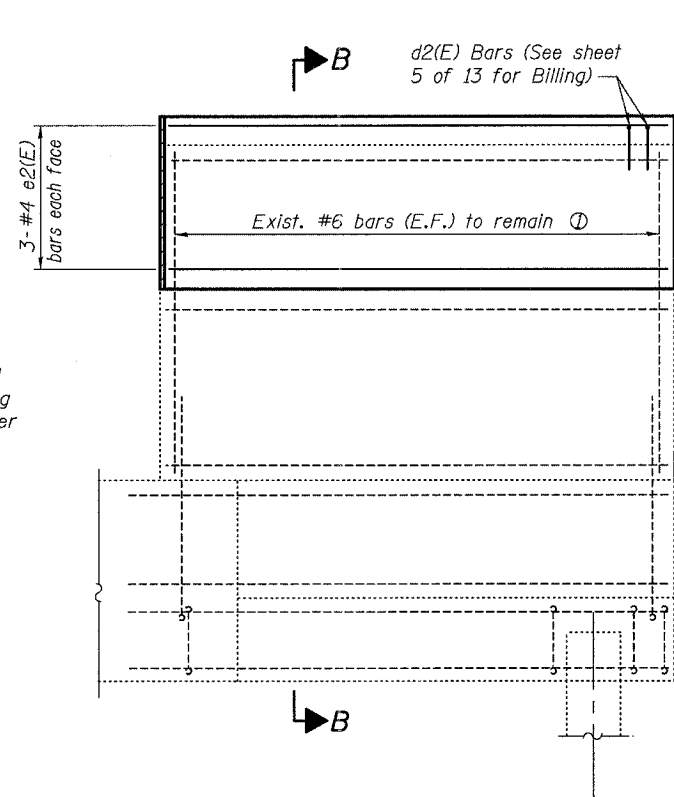
(Two Abutments)

Bar	No.	Size	Length	Shape	
e2(E)	24	#4	8'-7"	—	
h(E)	8	#6	15'-9"	—	
h(E)	16	#6	23'-3"	—	
Reinforcement Bars, Epoxy Coated				Pound	890
Concrete Superstructure				Cu. Yd.	8.6
Concrete Removal				Cu. Yd.	7.3



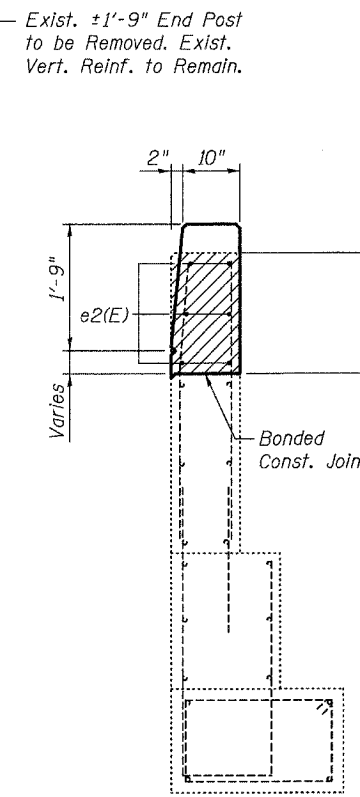
WINGWALL ELEVATION

Showing Dimensions

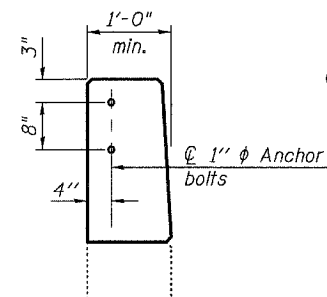


WINGWALL ELEVATION

Showing Reinforcement



SECTION B-B



VIEW A-A

- Notes:
- Existing reinforcement bars shown are to be cleaned and incorporated into new construction.
 - Any reinforcement bars that are damaged during construction removal operations shall be repaired or replaced using approved bar splicer or anchorage system. Cost includes concrete removal.
 - E.F. denotes each face.

ABUTMENT & WINGWALL DETAILS
IL ROUTE 159 OVER RICHLAND CREEK
F.A.P. ROUTE 600 - SECTION 1-1BR-1
ST. CLAIR COUNTY
STA. 158+08
STRUCTURE NO. 082-0265

PLOT DATE = #DATE#
FILE NAME = #FILE#
PLOT SCALE = #SCALE#
USER NAME = #USER#