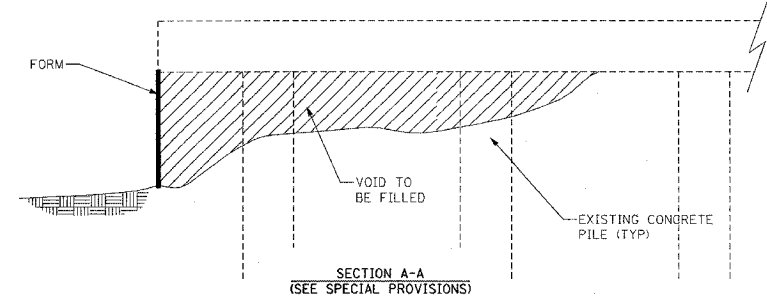
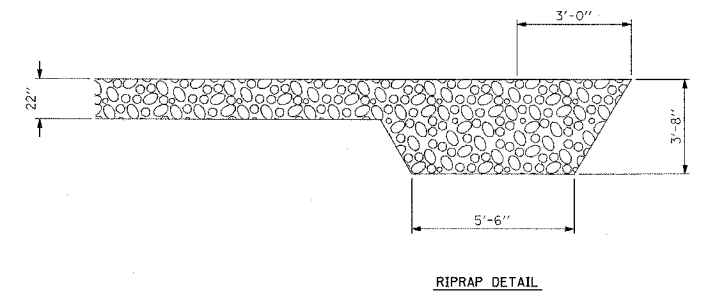
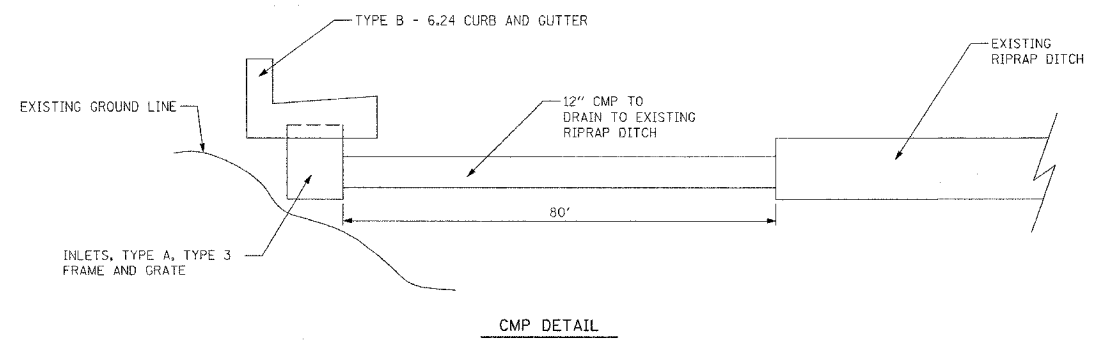
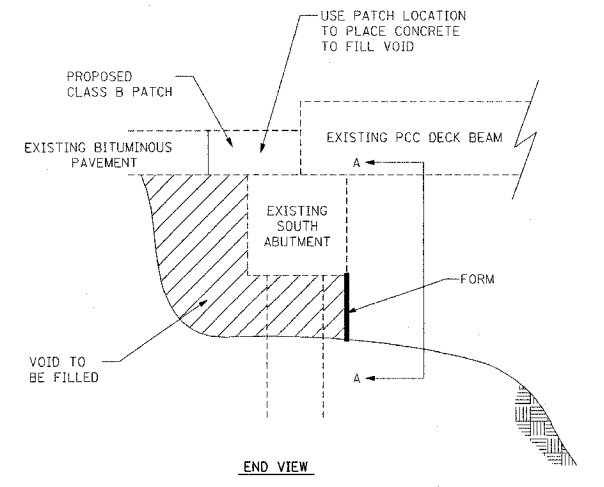
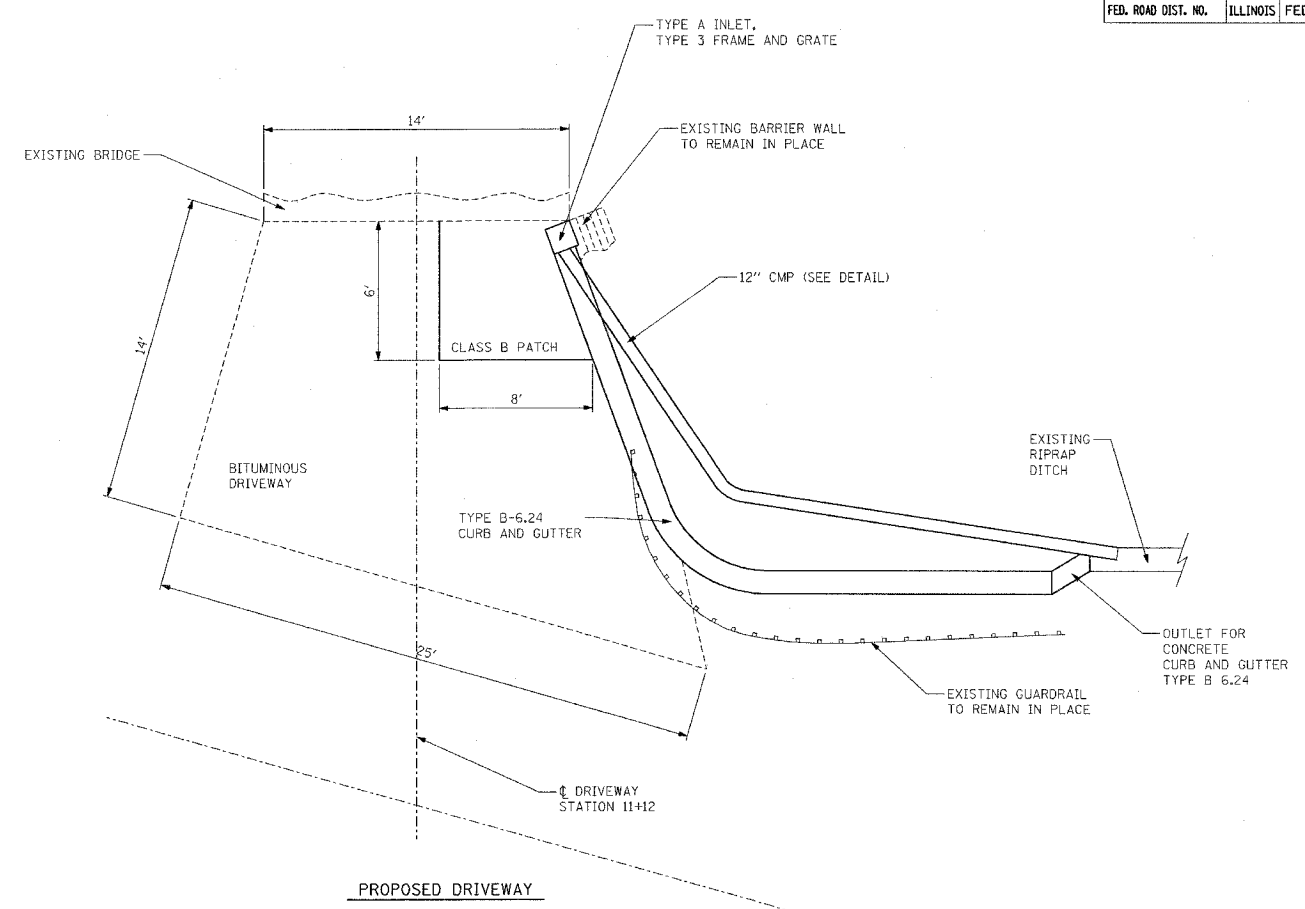
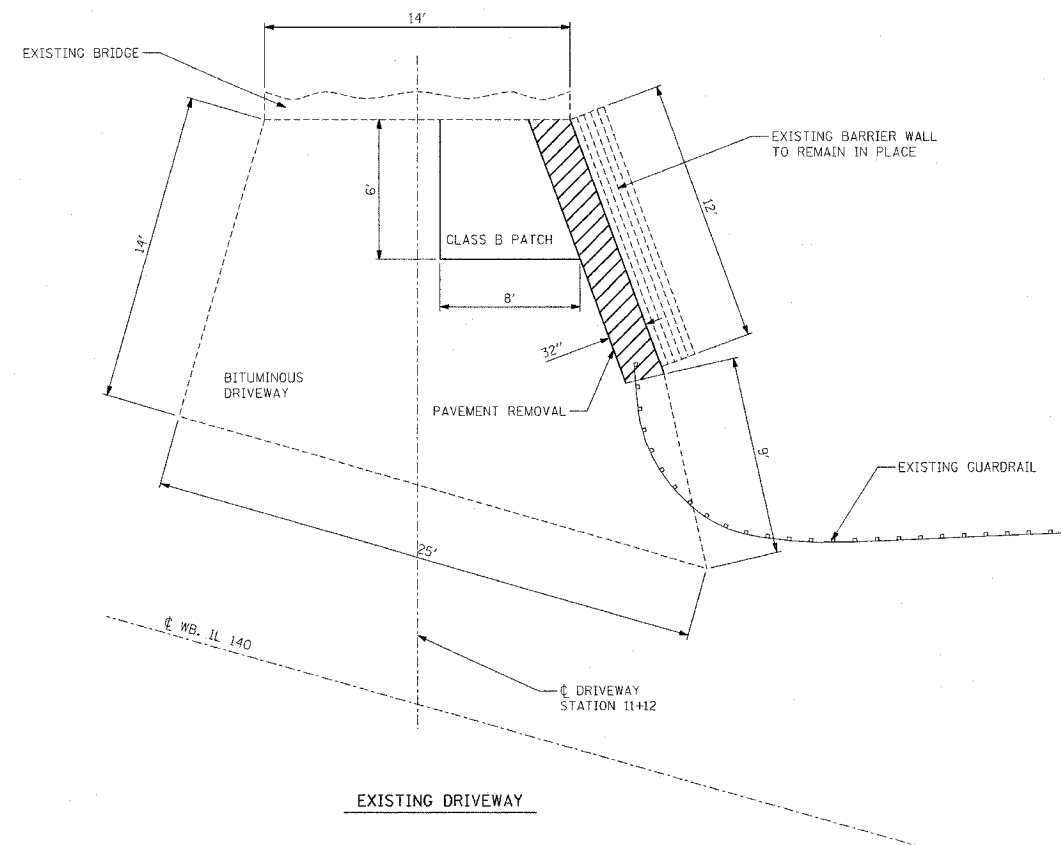


F.A.P. RTE.	SECTION	COUNTY	TOTAL SHEETS	SHEET NO.
785	132-3I-1	MADISON	14	6
STA. 785		TO STA.		
FED. ROAD DIST. NO. ILLINOIS FED. AID PROJECT				



REVISIONS	
NAME	DATE

ILLINOIS DEPARTMENT OF TRANSPORTATION

DETAILS

FAP ROUTE 785
SECTION 132-3I-1
MADISON COUNTY

PLOT DATE = 9/5/2005
 FILE NAME = \\s01\p1\proj\132-3I-1\132-3I-1.dgn
 PLOT SCALE = 20/0000 / IN.
 REFERENCE = 0REF