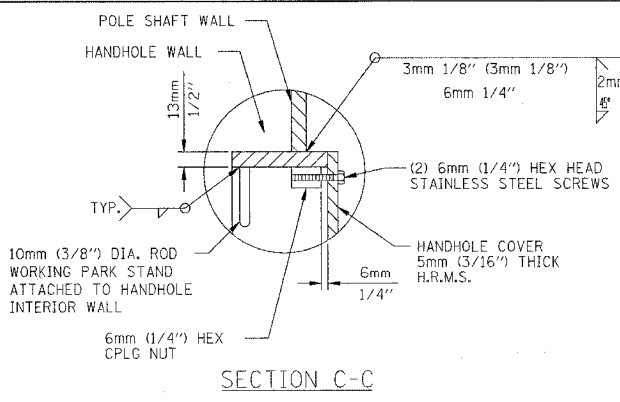
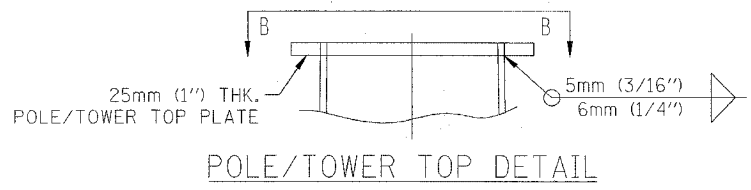
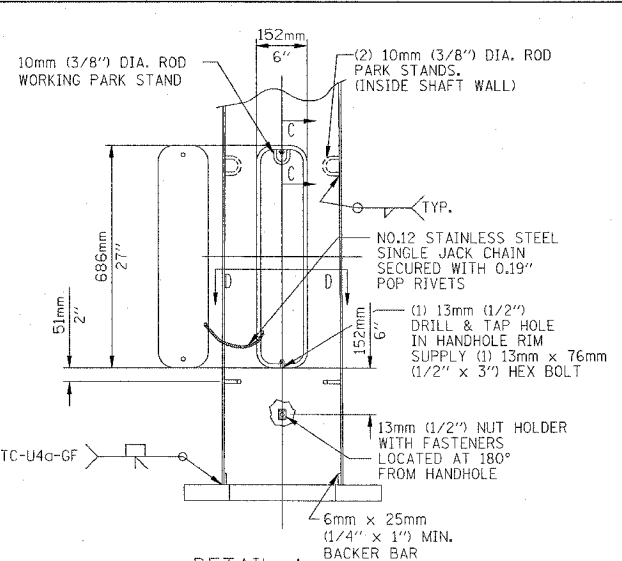
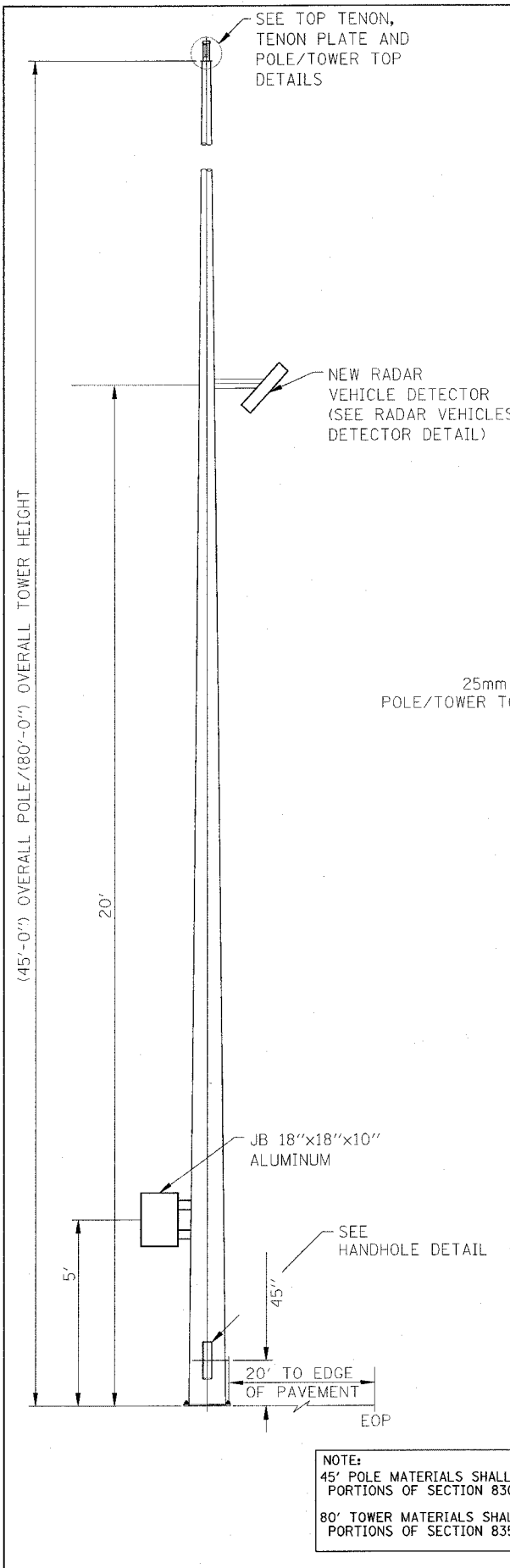
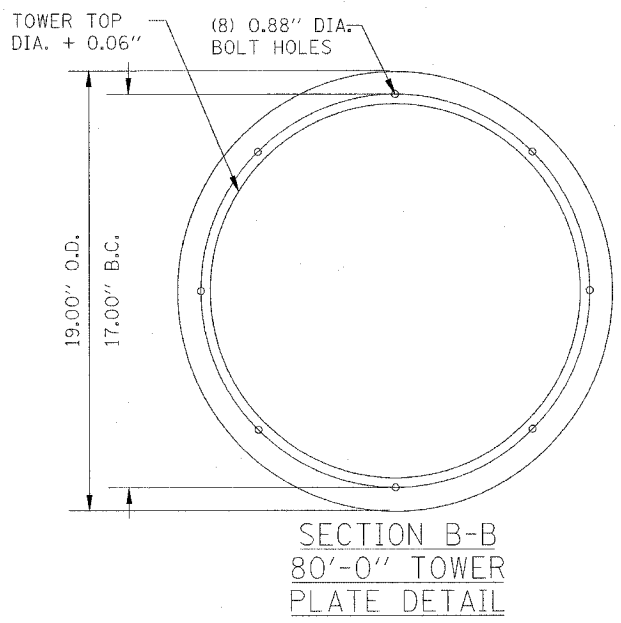
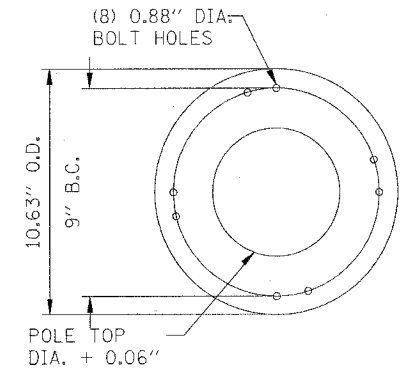


ROUTE	SECTION	COUNTY	TOTAL SHEETS	SHEET NO.
*	**	***	21	9
STA.		TO STA.		
FED. ROAD DIST. NO.		ILLINOIS FED. AID PROJECT		

FAI 255 CONTRACT# 76A19
 DIST 8 ITS 2007-2, 2B
 MADISON & ST. CLAIR

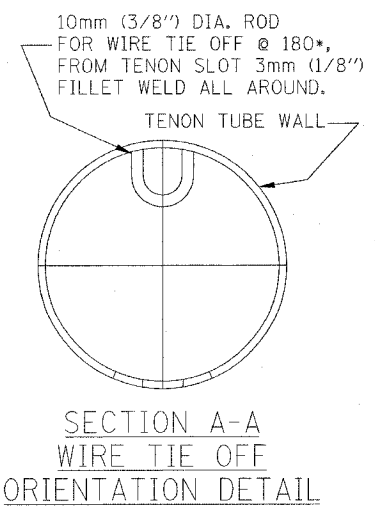
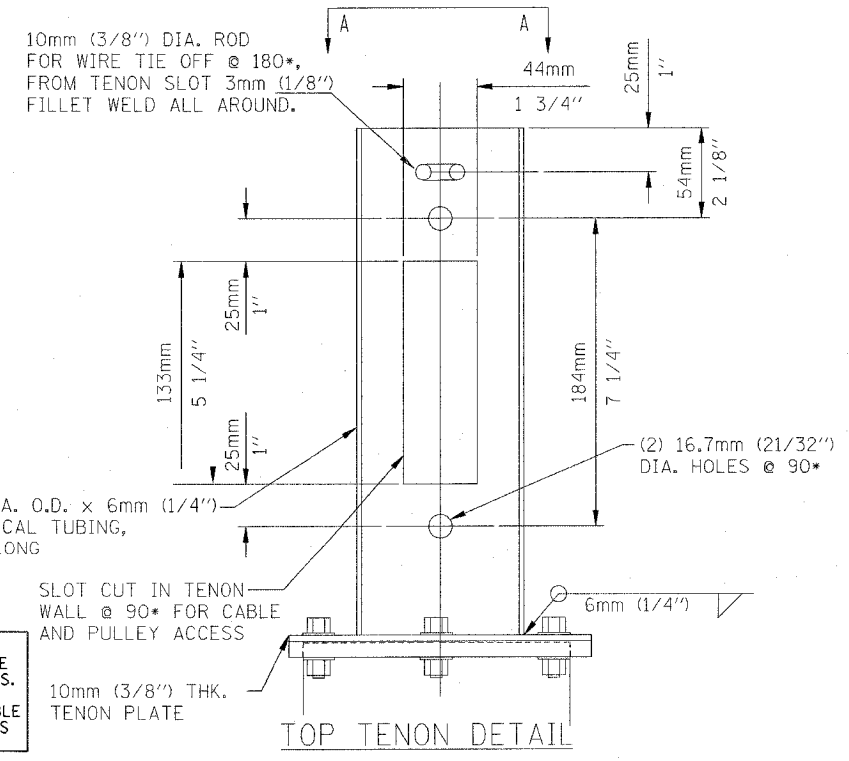
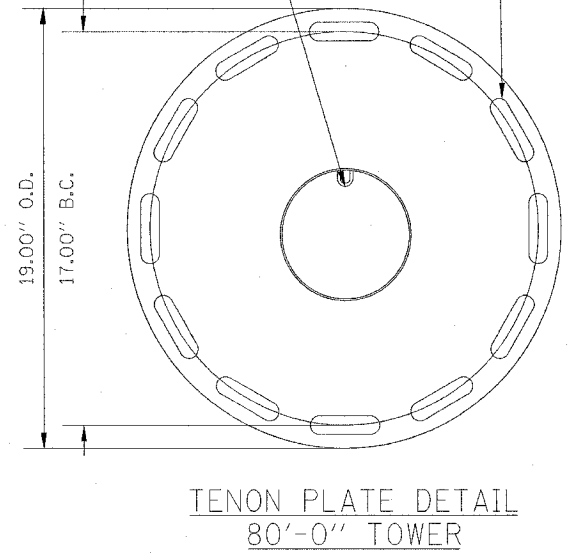


SECTION D-D



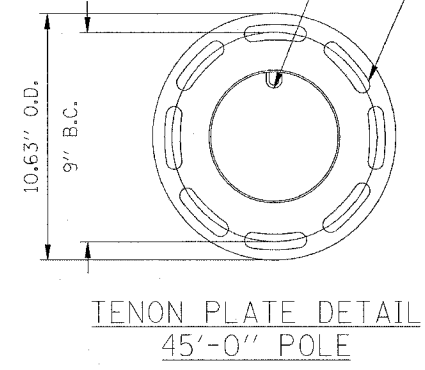
(12) 0.81" x 3.03" SLOTS, FOR (4) 19mm x 70mm (3/4" x 2 3/4") HEX BOLTS W/ FLAT WASHER, LOCK WASHER, AND HEAVY HEX NUT FOR EACH TENON ASSEMBLY.

0.38" DIA. ROD FOR WIRE TIE OFF @ 180°, FROM TENON SLOT 3mm (1/8") FILLET WELD ALL AROUND.



(8) 0.81" x 2.57" SLOTS, FOR (4) 19mm x 70mm (3/4" x 2 3/4") HEX BOLTS W/ FLAT WASHER, LOCK WASHER, AND HEAVY HEX NUT FOR EACH TENON ASSEMBLY.

0.38" DIA. ROD FOR WIRE TIE OFF @ 180°, FROM TENON SLOT 3mm (1/8") FILLET WELD ALL AROUND.



NOTE:
 45' POLE MATERIALS SHALL BE ACCORDING TO THE APPLICABLE PORTIONS OF SECTION 830 OF THE STANDARD SPECIFICATIONS.
 80' TOWER MATERIALS SHALL BE ACCORDING TO THE APPLICABLE PORTIONS OF SECTION 835 OF THE STANDARD SPECIFICATIONS

REVISIONS	
NAME	DATE

ILLINOIS DEPARTMENT OF TRANSPORTATION
 POLE MOUNTED CCTV DETAIL WITH
 CAMERA LOWERING DEVICE (SHEET 2 OF 2)

FAI 255
 SECTION DIST 8 ITS 2007-2, 2B
 MADISON AND ST. CLAIR COUNTIES

DATE 9/22/2006

PLOT DATE = 9/22/2006
 FILE NAME = c:\projects\electrical\top\8986a.dgn
 PLOT SCALE = 49.9992 / IN.
 REFERENCE = #REF#