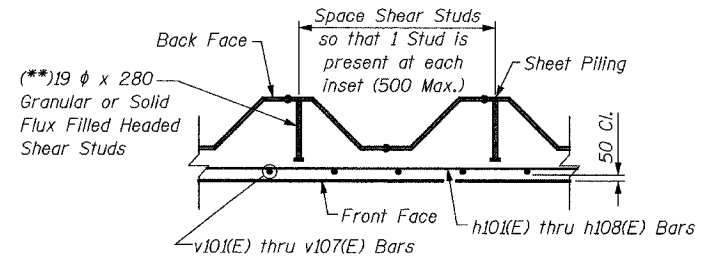
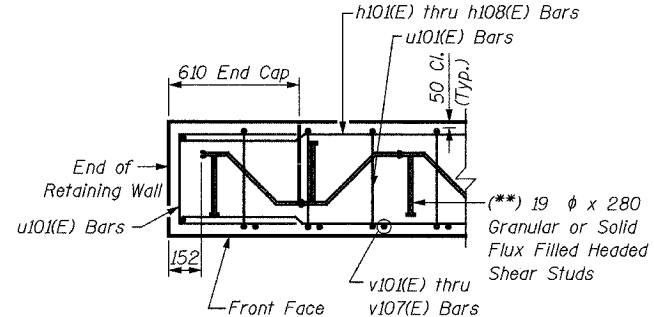
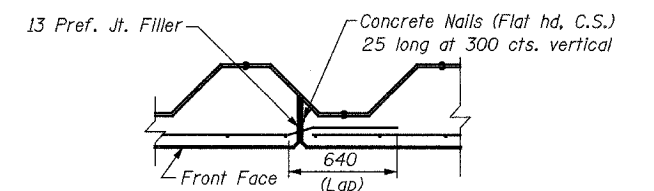
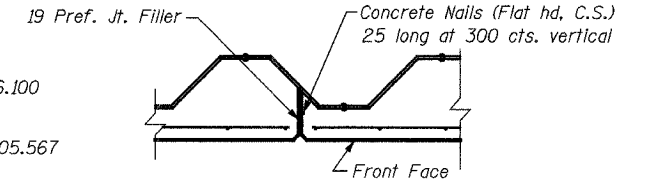


***NOTE:**
For horizontal curve and alignment information, see Plan & Profile drawings.

(*)NOTE:**
Shear studs shall be 19 dia. x 280 Granular or Solid Flux Filled Headed Studs conforming to 505.08 (m) of the Standard Specifications automatically end welded, in the field to Sheet Piling. The cost of the studs is included in the cost of PERMANENT STEEL SHEET PILING.



NOTES:
For Bill of Material and Notes, see Sheet S4.

REVISIONS		NAME	DATE	URS 1701 GOLF ROAD, SUITE 1000 ROLLING MEADOWS, IL 60008 TEL (847) 228-0707 FAX (847) 228-1115
NO.	DESCRIPTION			
				VILLAGE OF ADDISON SALT CREEK GREENWAY TRAIL RET. WALL, STA. 10+880 TO 10+960 PLAN, ELEVATION AND DETAILS
				DATE: 06/30/05 DESIGNED BY: MDS
				DRAWN BY: MDS CHECKED BY: GAT