

10 8 6 4 2 0 2 4 6 8 10 12 14 16 18

BIKE PATH

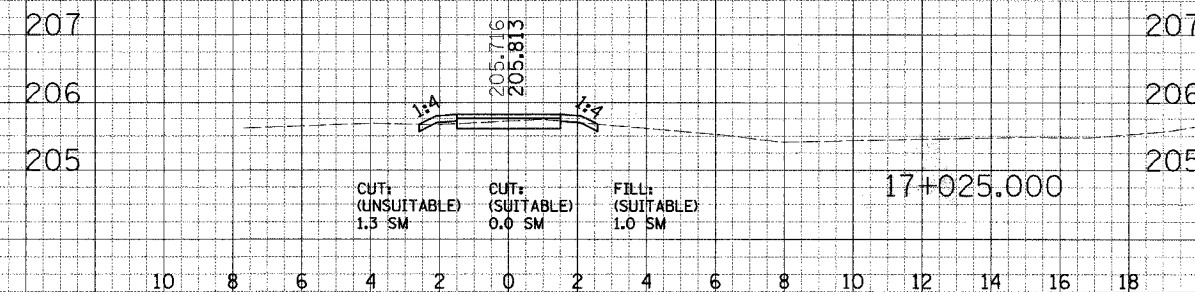
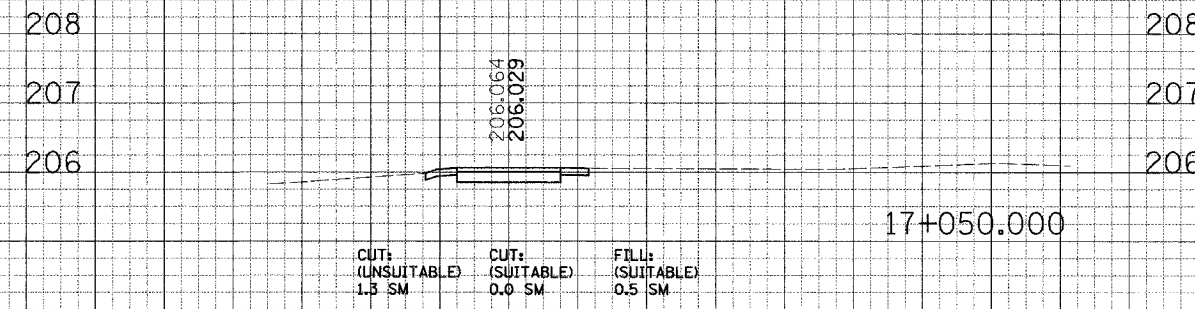
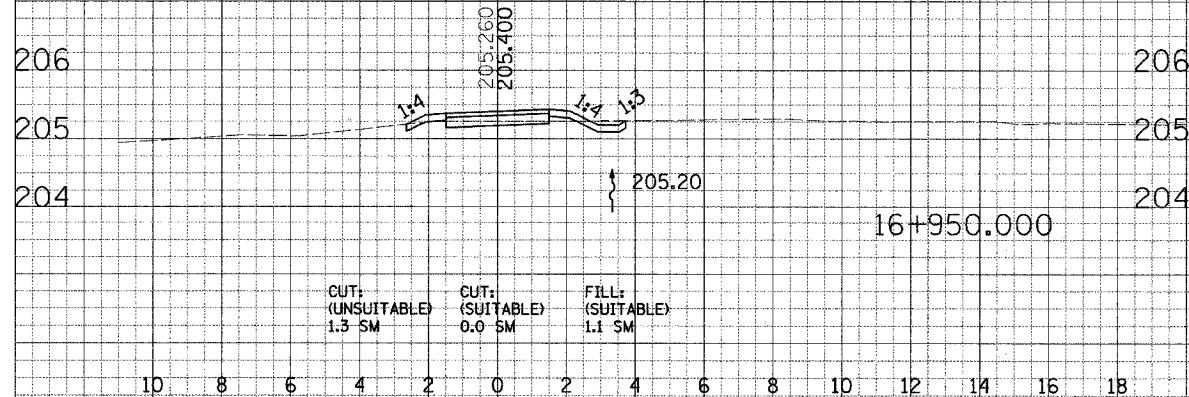
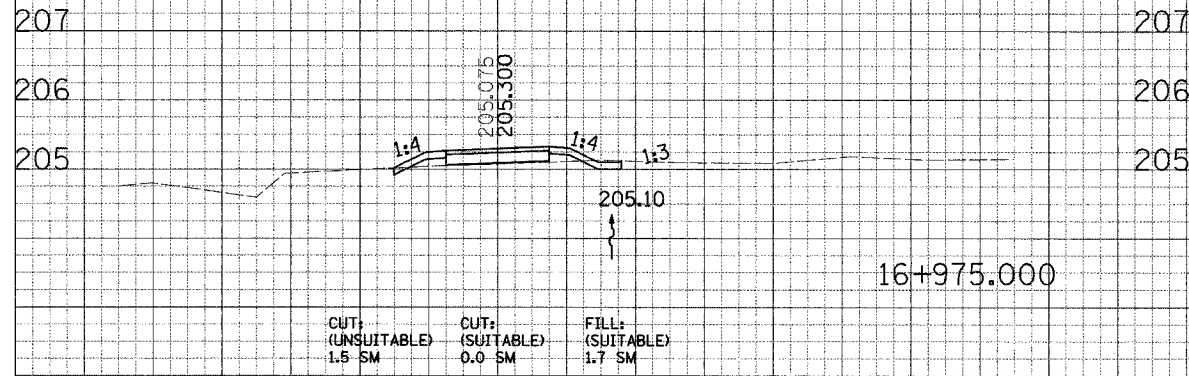
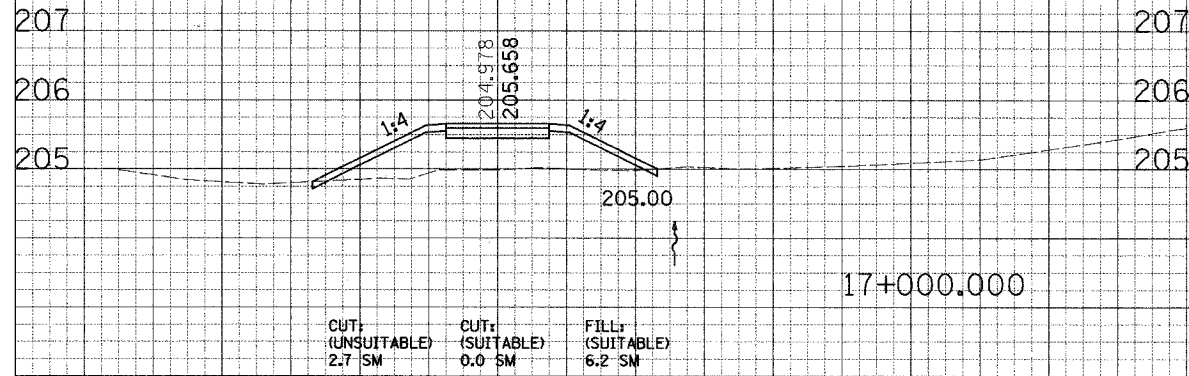
10 8 6 4 2 0 2 4 6 8

BIKE PATH

F.A. RTE.	SECTION	COUNTY	TOTAL SHEETS	SHEET NO.
	02-00090-00-BT	DUPAGE	117	117
STA.	TO STA.			
FED. ROAD DIST. NO.	ILLINOIS FED. AID PROJECT			
	CONTRACT NO. 83713			

DATE: _____ BY: _____
 SURVEYED: _____ PLOTTED: _____
 CHECKED: _____

DATE: _____ BY: _____
 SURVEYED: _____ PLOTTED: _____
 CHECKED: _____



END CONSTRUCTION AT STA. 17+065.961