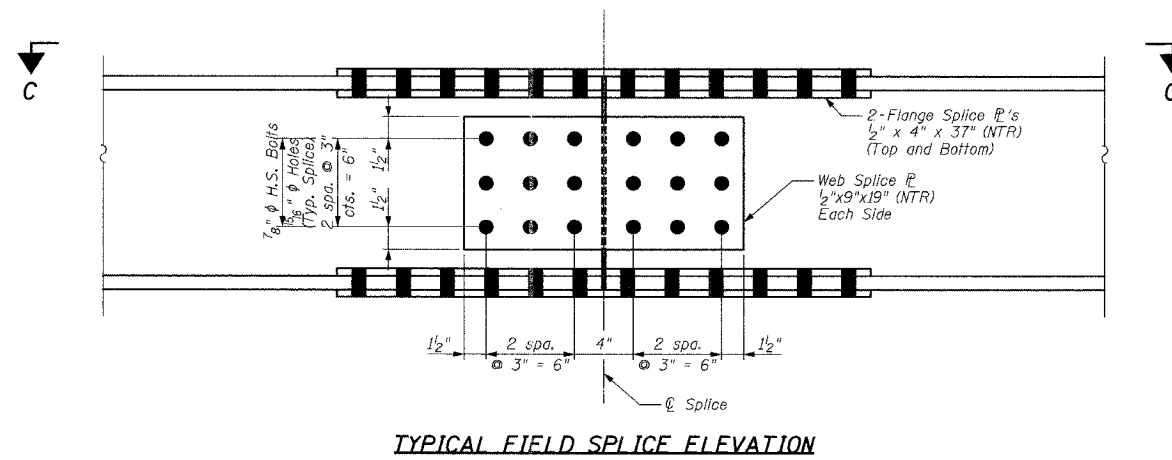
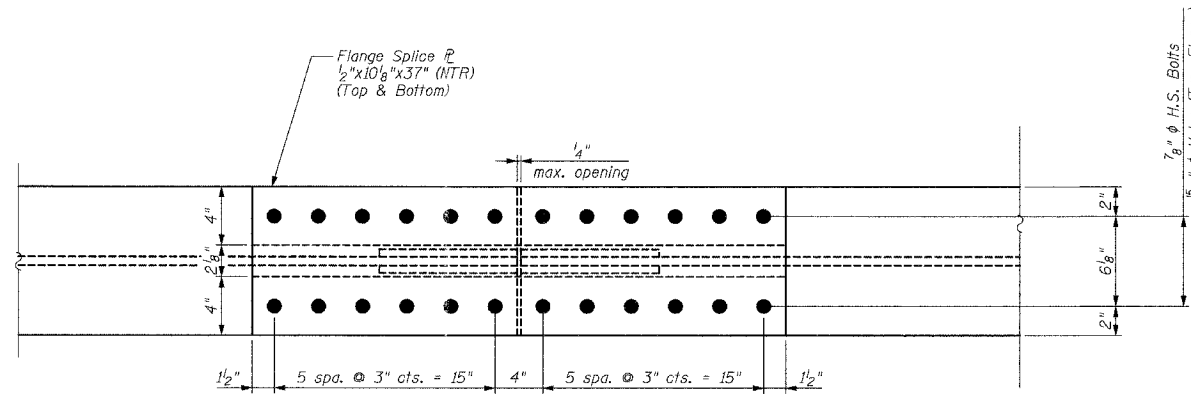
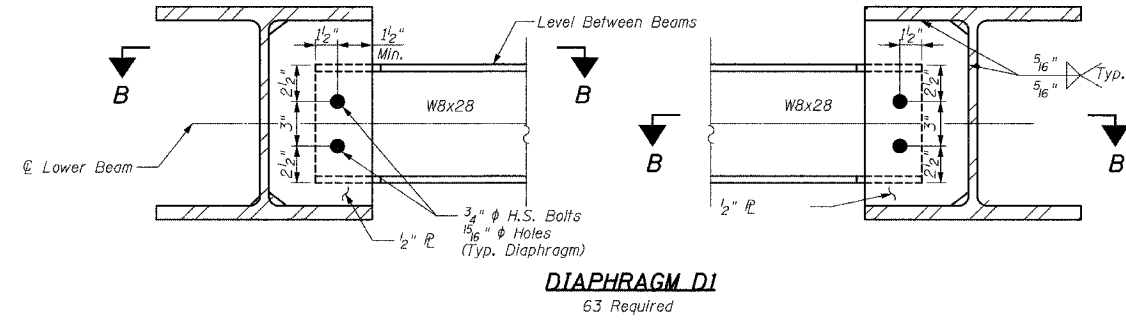
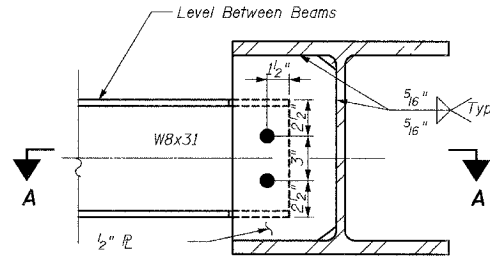
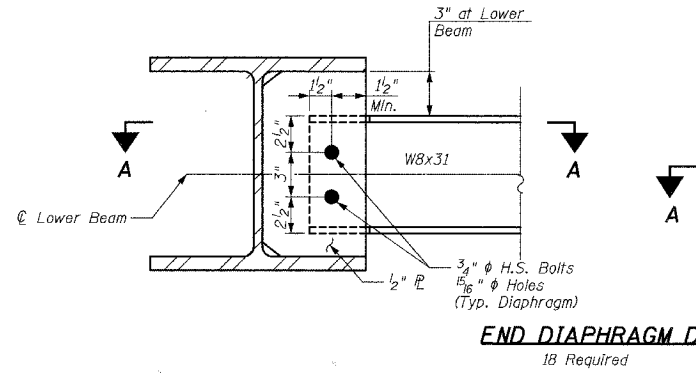
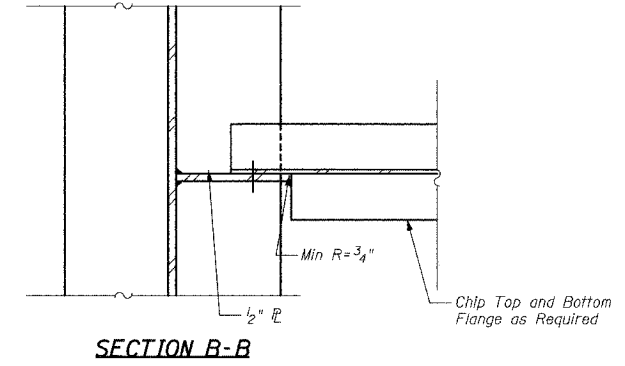
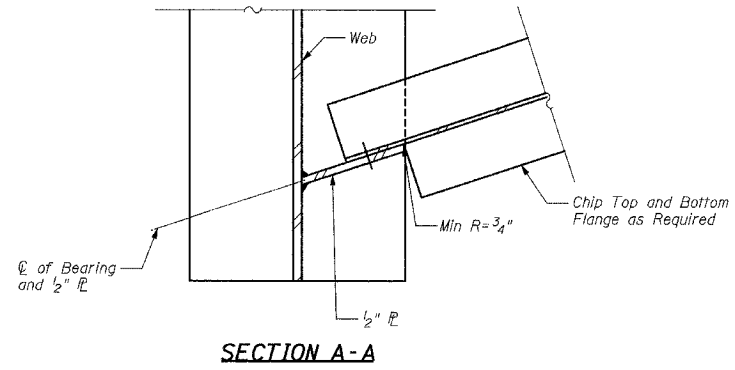


F.A. RTE.	SECTION	COUNTY	TOTAL SHEETS	SHEET NO.
	00-00094-03-BR	COOK	69	30
STA.	TO STA.			
FED. ROAD DIST. NO. 1	ILLINOIS	FED. AID PROJECT		
Sheet SA-11 of SA-23		CONTRACT 83850		



NOTES

1. For splice and diaphragm locations see sheet SA-10.
2. All splice plates shall be AASHTO M270 Grade 36.
3. (NTR) denotes plates to which notch toughness requirements are applicable.
4. Use 7/8" ϕ M 164 H.S. bolts and 5/16" holes on all beam splices.
5. Use 3/4" ϕ M164 H.S. bolts and 5/16" holes on all diaphragm connections.

REVISIONS	
NAME	DATE

Clorba Group, Inc.
CONSULTING ENGINEERS
5007 NORTH CUMBERLAND AVENUE - CHICAGO, ILLINOIS 60630 - (773) 775-4000

VILLAGE OF WINNETKA, ILLINOIS
DIAPHRAGM & SPLICE DETAILS
PINE STREET OVER THE UNION PACIFIC R.R.
R.R. MILE POST 16.89 KENOSHA SUBDIVISION
COOK COUNTY STA. 101+09.96
STRUCTURE NO. 016-8259

SCALE: NONE
DATE: JUNE 2006
FILE: 3278

DRAWN BY: RCD
DESIGN BY: BWS
CHECKED BY: SCD

DATE: 7/20/2006
FILENAME: N:\PROJ\3278\Pine\Design\Structural_Pine_3278\CAD\Final_plan_rev\3278-Pine-stdet.dgn