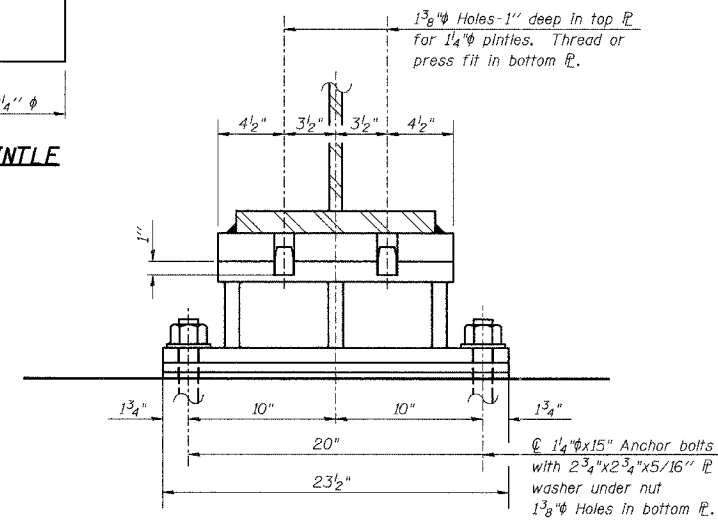
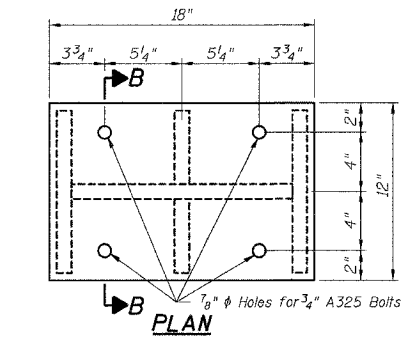


ELEVATION

FIXED BEARING AT CENTER PIER



SECTION A-A



ELEVATION

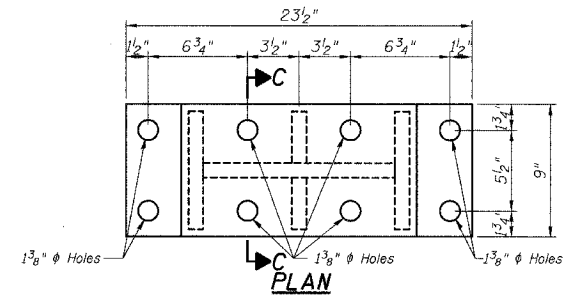
SECTION B-B

EXPANSION STEEL EXTENSION AT EAST PIER & WEST PIER

Extension Dimensions

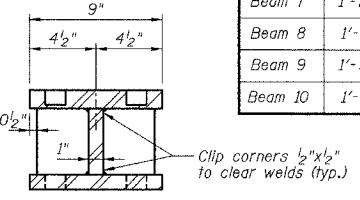
Weight included w/ structural steel

	West Pier	East Pier
Location	A (ft)	A (ft)
Beam 1	1'-11 3/8"	1'-7 1/8"
Beam 2	1'-10 7/8"	1'-5 3/8"
Beam 3	1'-11 1/4"	1'-6 3/8"
Beam 4	1'-11 5/8"	1'-7"
Beam 5	2'-1 1/8"	1'-7 5/8"
Beam 6	2'-0"	1'-7 1/8"
Beam 7	2'-0 1/4"	1'-6 5/8"
Beam 8	2'-2 3/8"	1'-7 7/8"
Beam 9	2'-1 1/8"	1'-7 3/8"
Beam 10	2'-0 3/4"	1'-7 1/2"



ELEVATION

FIXED STEEL EXTENSION AT CENTER PIER

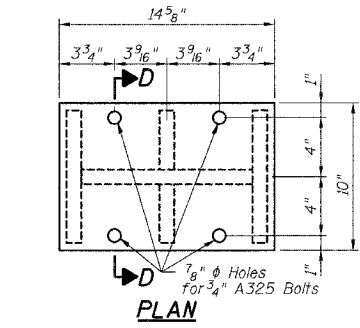


SECTION C-C

Extension Dimensions

Weight included w/ structural steel

Location	H (ft)
Beam 1	1'-2 5/8"
Beam 2	1'-1 3/4"
Beam 3	1'-2 3/8"
Beam 4	1'-3 1/8"
Beam 5	1'-3 3/8"
Beam 6	1'-2 5/8"
Beam 7	1'-2 3/4"
Beam 8	1'-4 1/4"
Beam 9	1'-3 3/8"
Beam 10	1'-3 1/4"



ELEVATION

SECTION D-D

EXPANSION STEEL EXTENSION AT ABUTMENTS

Extension Dimensions

Weight included w/ structural steel

	West Abut.	East Abut.
Location	B (ft)	B (ft)
Beam 1	11 3/8"	1'-4 1/8"
Beam 2	10 1/4"	1'-3 1/4"
Beam 3	10 1/4"	1'-3 3/8"
Beam 4	10 5/8"	1'-4 1/2"
Beam 5	11 5/8"	1'-4 1/4"
Beam 6	10 3/8"	1'-2 3/4"
Beam 7	10 1/4"	1'-2 1/4"
Beam 8	10"	1'-2"
Beam 9	10 3/4"	1'-4 1/8"
Beam 10	11 1/4"	1'-3 3/8"

DATE: 7/20/2006
FILENAME: N:\PROJ\3278\Drawings\Structural_Pine_3278\CAD\Final_plan_rev3278-Pine-bcd102.dgn

I-2-E1 2-26-93

REVISIONS	
NAME	DATE

CC **Clorba Group, Inc.**
CONSULTING ENGINEERS
5001 NORTH CUMBERLAND AVENUE - CHICAGO, ILLINOIS 60630 - (773) 775-4000

VILLAGE OF WINNETKA, ILLINOIS
BEARING DETAILS II
PINE STREET OVER THE UNION PACIFIC R.R.
R.R. MILE POST 16.89 KENOSHA SUBDIVISION
COOK COUNTY STA. 101+09.96
STRUCTURE NO. 016-8259

SCALE: NONE
DATE: JUNE 2006
FILE: 3278

DRAWN BY: RCD
DESIGN BY: BWS
CHECKED BY: SCB