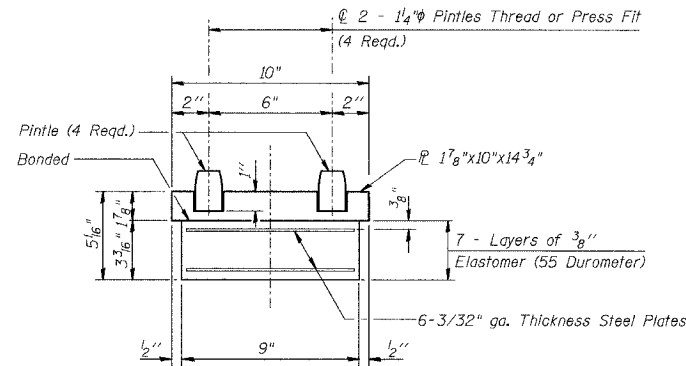
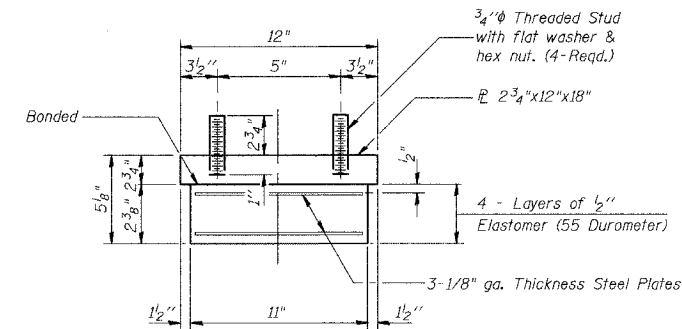


F.A. RTE.	SECTION	COUNTY	TOTAL SHEETS	SHEET NO.
	00-00094-03-BR	COOK	69	53
STA.		TO STA.		
FED. ROAD DIST. NO. 1		ILLINOIS FED. AID PROJECT		
Sheet SB-11 of SB-22		CONTRACT 83850		



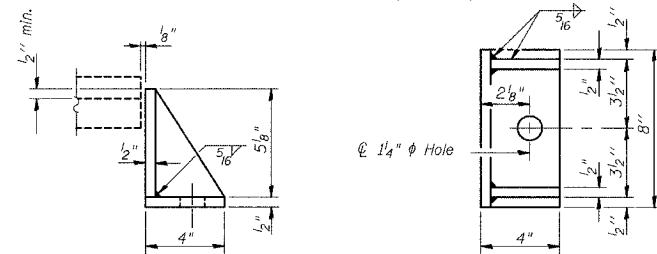
**BEARING ASSEMBLY**

Note: Shim plates shall not be placed under Bearing Assembly.



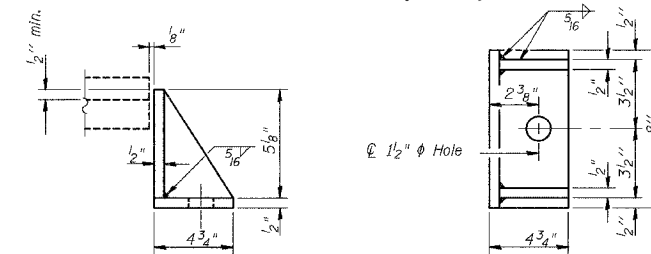
**BEARING ASSEMBLY**

Note: Shim plates shall not be placed under Bearing Assembly.



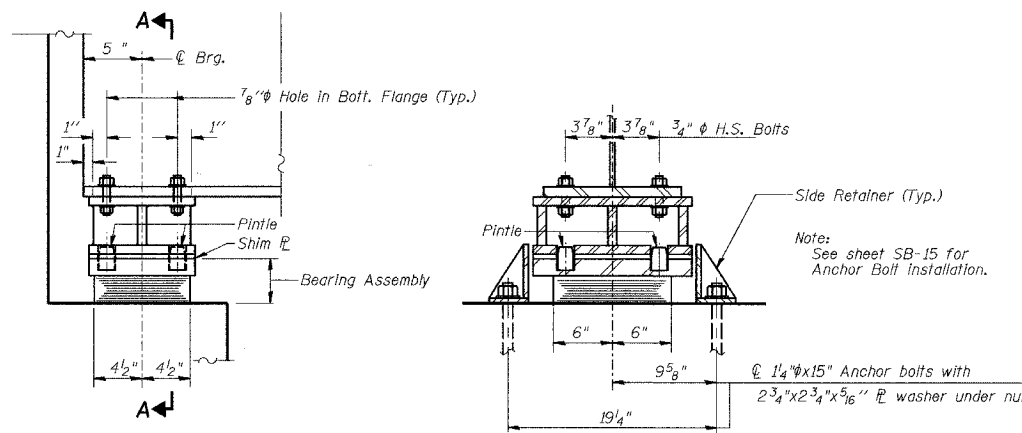
**SIDE RETAINER**

Equivalent rolled angle with stiffeners will be allowed in lieu of welded plates. Weight included with Structural Steel.



**SIDE RETAINER**

Equivalent rolled angle with stiffeners will be allowed in lieu of welded plates. Weight included with Structural Steel.

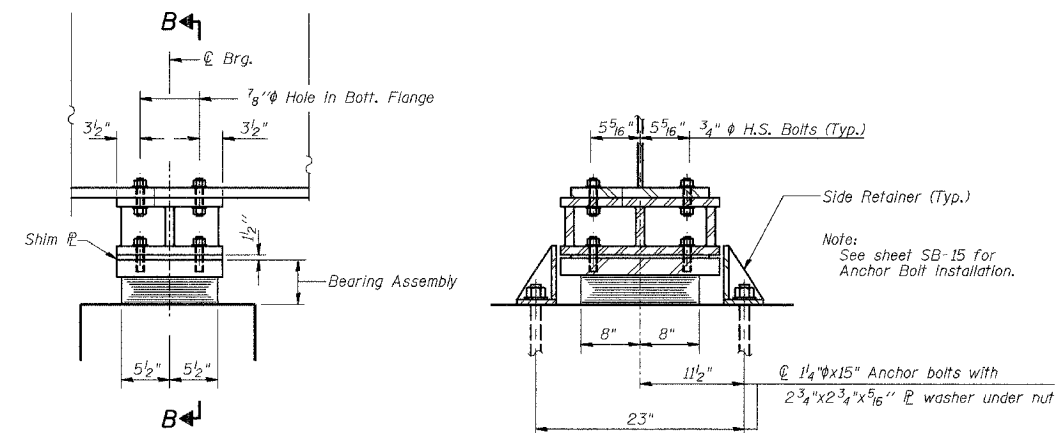


**ELEVATION AT ABUTMENTS**

**SECTION A-A**

**TYPE I ELASTOMERIC EXP. BRG.**

(See sheet SB-12 for extension details)



**ELEVATION AT EAST PIER & WEST PIER**

**SECTION B-B**

**TYPE I ELASTOMERIC EXP. BRG.**

(See sheet SB-12 for extension details)

**BILL OF MATERIAL**

Item	Unit	Total
Elastomeric Bearing Assembly Type I	Each	28

**CC** Ciorba Group, Inc.  
CONSULTING ENGINEERS  
1007 NORTH COLUMBIAN AVENUE - CHICAGO, ILLINOIS 60606 - (773) 775-4000

REVISIONS	
NAME	DATE

VILLAGE OF WINNETKA, ILLINOIS  
BEARING DETAILS I  
ELDORADO STREET OVER THE UNION PACIFIC R.R.  
R.R. MILE POST 17.26 KENOSHA SUBDIVISION  
COOK COUNTY STA. 201+07.21  
STRUCTURE NO. 016-8260

SCALE: NONE  
DATE: JUNE 2006  
FILE: 3278

DRAWN BY: RCD  
DESIGN BY: BWS  
CHECKED BY: SCD

DATE: 7/20/2006  
FILENAME: N:\PROJ\8278\ELDORADO\Design\Structural\_Eldorado\_8278\CAD\Final\_revised\8278-eldo-brd01.dgn